

Always there to help you

Register your product and get support at
www.philips.com/welcome

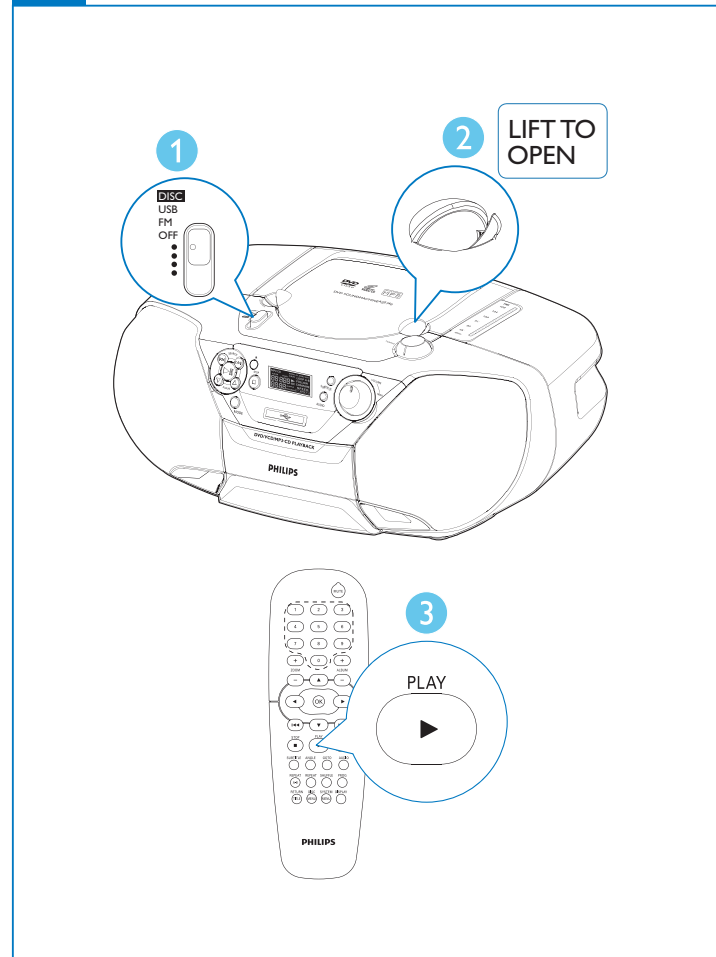
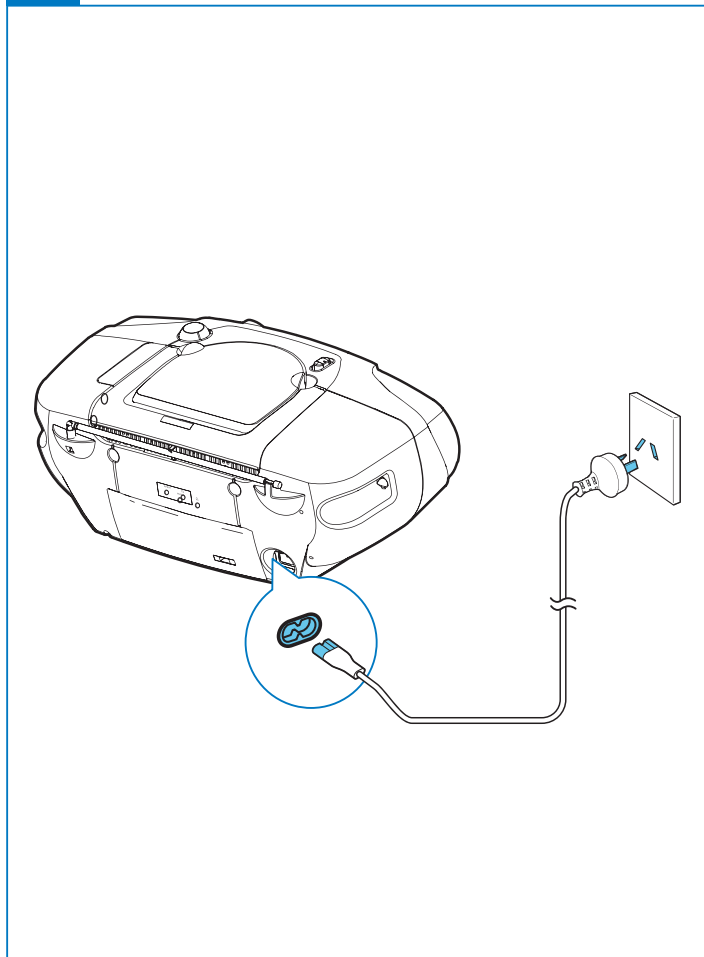
AZ5741

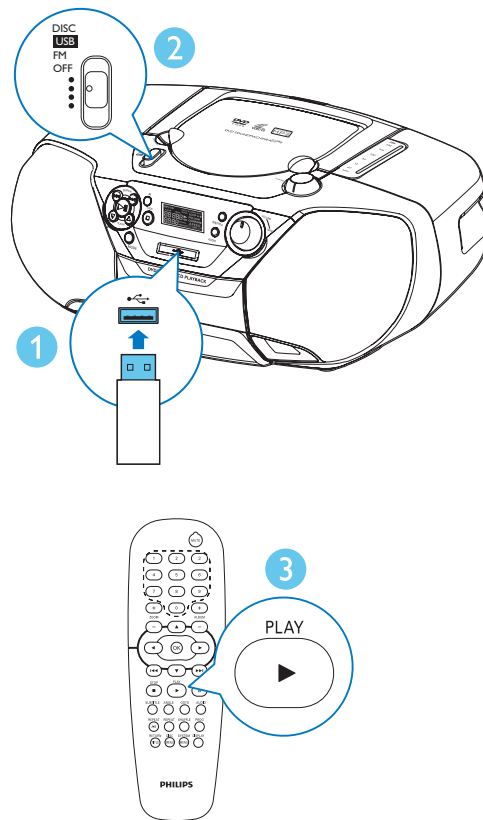
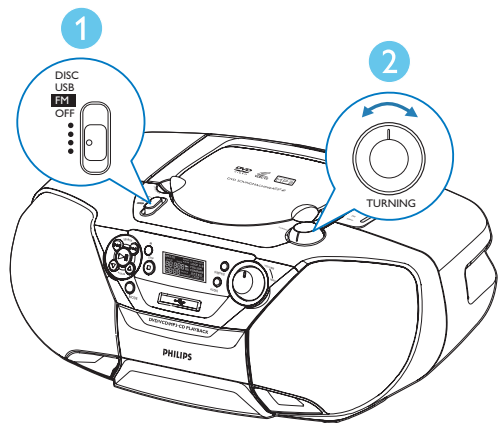
Question?
Contact
Philips



Quick start guide

PHILIPS





All registered and unregistered trademarks are property of their respective owners.
© 2012 Koninklijke Philips Electronics N.V.
All rights reserved.

AZ5741_79_QSG_V1.0

