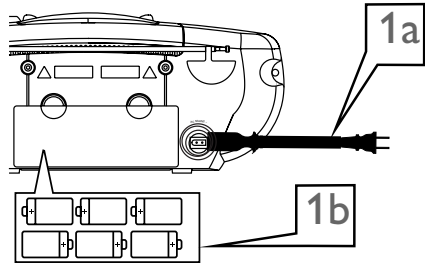


AZ1826

1 Choosing Power Supply

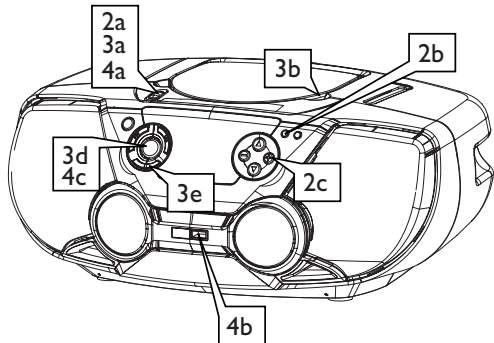
- a Connect the AC power cord to the **AC Mains** ~ inlet and the wall socket.
- OR-
- b Open the **battery door** and insert 6 x C batteries (not included).



R-14, UM-2 or C-cells
(not included)

2 Listening to Radio

- a Push the **Source selector** to **FM** or **MW**.
- b Press **PROG** for more than two seconds to program all available stations in order of waveband.
- c Press **PRESET/ALBUM +/-** until the desired preset station is displayed.



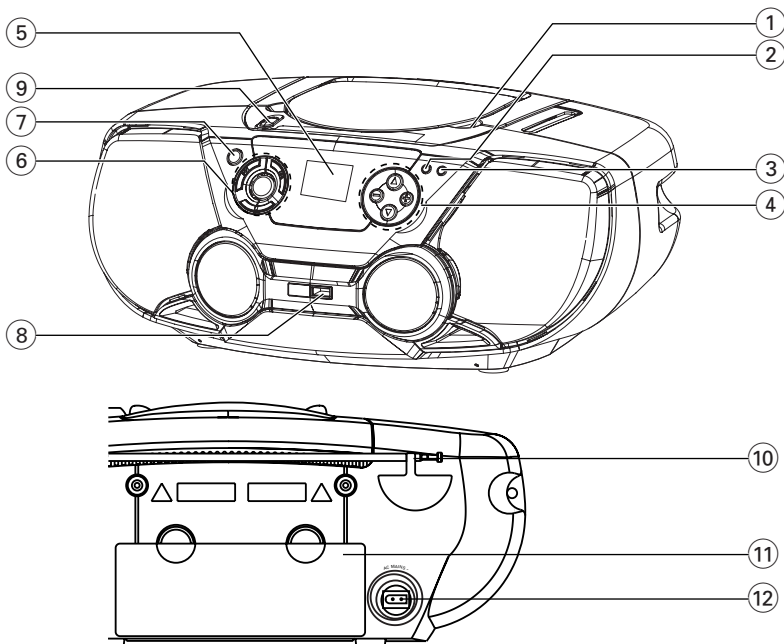
3 Playing a disc

This player plays Audio Discs including CD-R/CD-RW, MP3-CD and WMA.

- a Push the **Source selector** to **CD/USB**.
 - Then, press **CD/USB** (or **CD** on the remote control) once to select CD mode if "USB" is displayed.
- b Open the disc door.
- c Insert a disc with the printed side facing up and close the door.
- d Press **▶||** to start playback.
- e To stop disc playback, press **■**.

4 Playing a USB device

- a Push the **source selector** to **CD/USB**.
 - Then, press **CD/USB** (or **USB** on the remote control) once to select USB mode if "CD" is displayed.
- c Plug a compatible USB mass storage device to AZ1826's USB port marked .
- d Press **▶||** on your AZ1826 to start play.



① **PUSH TO OPEN** – press to open/close CD door

② **PROG**
CD/MP3/WMA/USB: programs tracks
MW/FM: programs preset radio stations

③ **MODE** – selects different play modes: e.g. REP or SHUF (random order)

④ **VOL ▲, ▼** – adjusts volume level

ALBUM/PRESET +, -
MP3/WMA/USB only: selects albums
MW/FM: selects a preset radio station

⑤ **Display** – shows the status of the set

⑥ **▶||** – starts or pauses CD/USB playback
■ – stops CD/USB playback;
 – erases a CD/USB program

◀◀, ▶▶ TUNING DOWN, TUNING UP
CD/MP3/WMA/USB:

– searches backward and forward within a track;
 – skips to the beginning of a current track/
 previous/ later track

MW/FM: – tunes to radio stations

⑦ **CD/USB:** – selects disc or USB mode

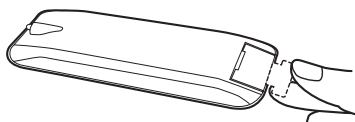
⑧ **USB Port** – connects an external USB mass storage device

⑨ **Source selector: CD/USB, MW, FM, OFF**
 – selects CD/USB or radio source of sound;
 – switches off the set

⑩ **Telescopic aerial** – improves FM reception

⑪ **Battery compartment** – for 6 batteries, type R-14, UM2 or C-cells

⑫ **AC MAINS** – inlet for mains lead.



Removing the insulation plastic tab before use