

Register your product and get support at  
[www.philips.com/welcome](http://www.philips.com/welcome)

CED320



---

EN User manual

---

RU Руководство пользователя

---

**PHILIPS**

# Contents

<b>1 Important</b>	4
Safety	4
Notice	4
<b>2 Your car audio system</b>	6
Introduction	6
What's in the box	6
Overview of the main unit	7
Overview of the remote control	8
<b>3 Get started</b>	10
Install the car audio	10
Install remote control battery	16
Turn on	16
Select display language	16
Set clock	17
<b>4 Play</b>	18
Load discs	18
Insert USB device	19
Insert SD/MMC card	19
Skip/search	20
Intro play	20
Repeat play	20
Random play	20
Select subtitle language	21
Select audio language	21
Select audio mode	21
Select video output format	21
Zoom	21
<b>5 Listen to radio</b>	22
Tune to a radio station	22
Store radio stations in memory	22
Tune to a preset station	22
Play with RDS	22
<b>6 Adjust settings</b>	24
Adjust sound	24
Adjust system settings	25
Adjust general DVD settings	26
Adjust video DVD settings	27
Select language	27
Adjust display settings	28
Select tuner sensitivity	28
<b>7 Others</b>	30
Listen to other devices	30
Detach the front panel	30
Reset	30
Remove the unit	31
Replace fuse	31
<b>8 Product information</b>	32
<b>9 Troubleshooting</b>	34
<b>10 Glossary</b>	35

# 1 Important

## Safety

- Read and understand all instructions before you use the apparatus. If damage is caused by failure to follow instructions, the warranty does not apply.
- Use of controls or adjustments or performance of procedures other than herein may result in hazardous radiation exposure or other unsafe operation.
- This unit is designed for negative ground (earth) 12 V DC operation only.
- To reduce the risk of traffic accident, do not watch video during driving.
- To ensure safe driving, adjust the volume to a safe and comfortable level.
- Improper fuses can cause damage or fire. When you need to change the fuse, consult a professional.
- Use only the supplied mounting hardware for a safe and secure installation.
- To avoid short circuit, do not expose the apparatus, remote control or remote control batteries to rain or water.
- Never insert objects into the ventilation slots or other openings on the apparatus.
- Never place any objects other than discs into the disc tray/slot.
- Visible and invisible laser radiation when open. Avoid exposure to beam.
- Risk of damage to the screen! Never touch, push, rub or strike the screen with any object.
- Never use solvents such as benzene, thinner, cleaners available commercially, or anti-static sprays intended for discs.
- Clean the apparatus with soft, damp cloth. Never use substances such as alcohol, chemicals or household cleaners on the apparatus.

## Notice



Be responsible  
Respect copyrights

The making of unauthorized copies of copy-protected material, including computer programs, files, broadcasts and sound recordings, may be an infringement of copyrights and constitute a criminal offence. This equipment should not be used for such purposes.

Official DivX® Certified product. Plays all versions of DivX® video (including DivX® 6) with standard playback of DivX® media files.



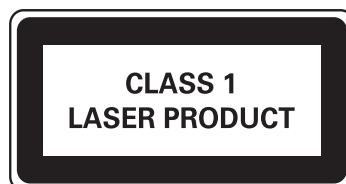
“DivX, DivX” Certified, and associated logos are trademarks of DivX, Inc. and are used under license.



Manufactured under license from Dolby Laboratories.

“Dolby” and the double-D symbol are trademarks of Dolby Laboratories. Other trademarks and trade names are those of their respective owners.

**This apparatus includes this label:**





This product complies with the radio interference requirements of the European Community.

This product complies with the requirements of the following directives and guidelines: 2004/108/EC + 2006/95/EC

Any changes or modifications made to this device that are not expressly approved by Philips Consumer Lifestyle may void the user's authority to operate the equipment.

### Environmental information

All unnecessary packaging has been omitted. We have tried to make the packaging easy to separate into three materials: cardboard (box), polystyrene foam (buffer) and polyethylene (bags, protective foam sheet.)

Your system consists of materials which can be recycled and reused if disassembled by a specialized company. Please observe the local regulations regarding the disposal of packaging materials, exhausted batteries and old equipment.

---

## Recycling



Your product is designed and manufactured with high quality materials and components, which can be recycled and reused.

When you see the crossed-out wheel bin symbol attached to a product, it means the product is covered by the European Directive 2002/96/EC:



Never dispose of your product with other household waste. Please inform yourself about the local rules on the separate collection of electrical and electronic products. The correct disposal of your old product helps prevent potentially negative consequences on the environment and human health.

Your product contains batteries covered by the European Directive 2006/66/EC, which cannot be disposed of with normal household waste.

Please inform yourself about the local rules on separate collection of batteries. The correct disposal of batteries helps prevent potentially negative consequences on the environment and human health.

2009 © Koninklijke Philips Electronics N.V. All rights reserved.

Specifications are subject to change without notice. Trademarks are the property of Koninklijke Philips Electronics N.V. or their respective owners. Philips reserves the right to change products at any time without being obliged to adjust earlier supplies accordingly.

## 2 Your car audio system

Congratulations on your purchase, and welcome to Philips! To fully benefit from the support that Philips offers, register your product at [www.philips.com/welcome](http://www.philips.com/welcome).

### Introduction

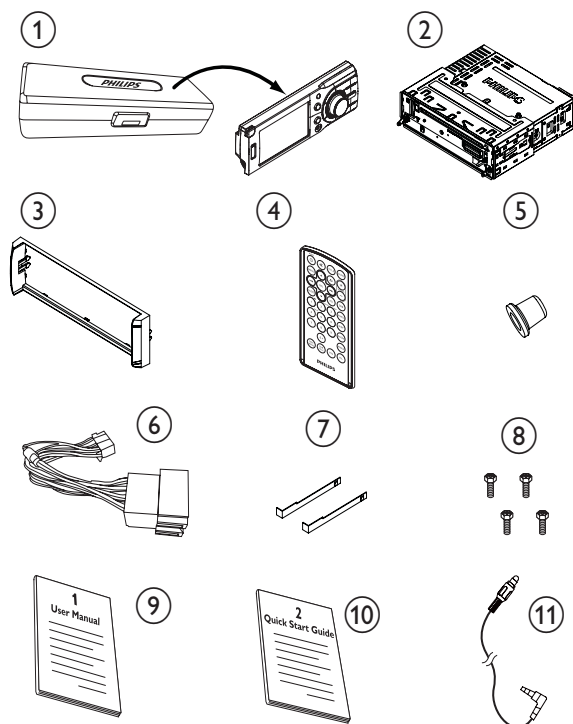
With the in-car audio system, you and your passengers can enjoy:

- DVD, VCD or DivX video
- Music CDs
- FM or AM (MW) radio
- MP3/WMA audio from discs, USB devices and SD/MMC cards
- Audio from external devices

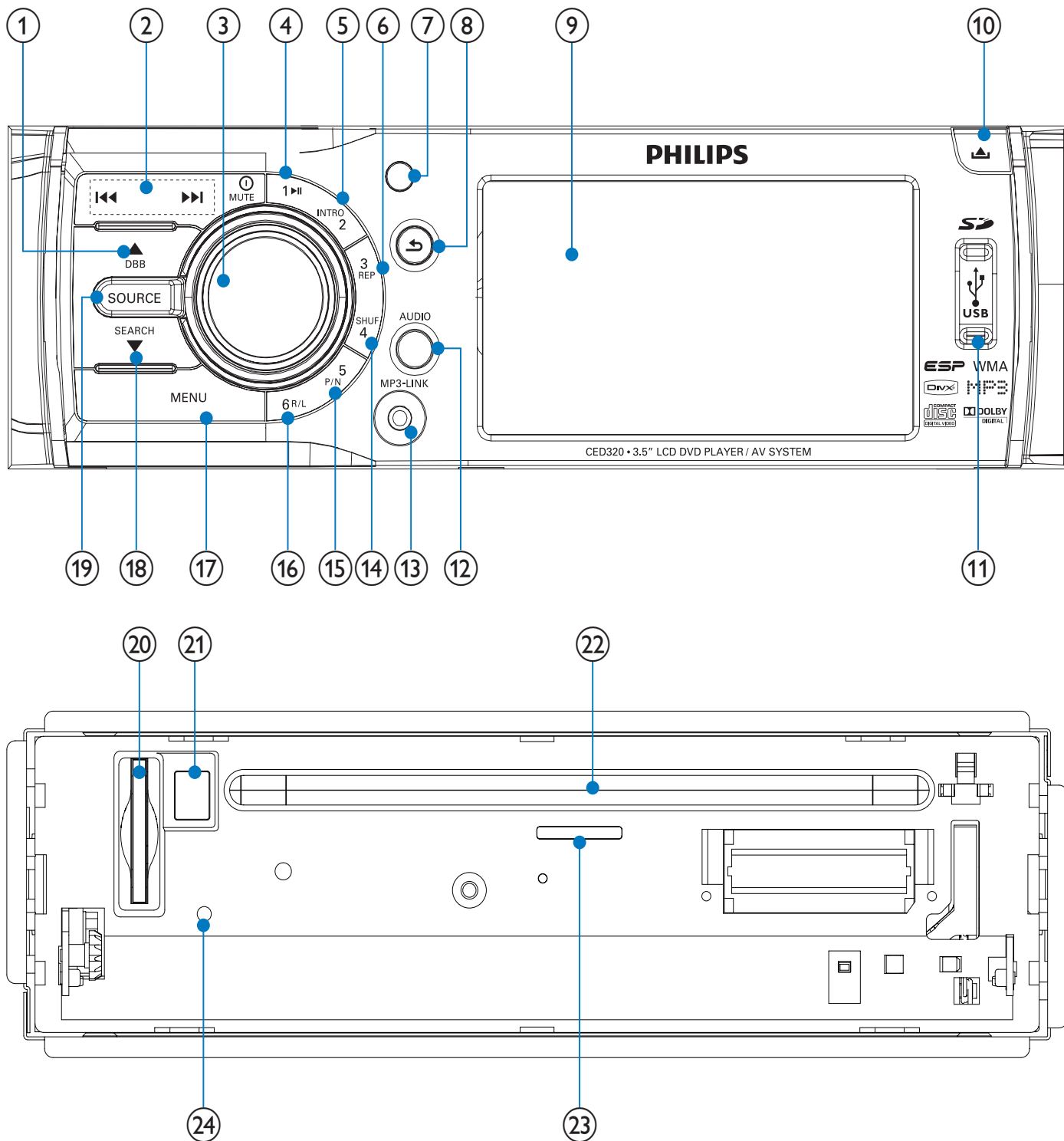
- ① Front panel carry case (includes front panel)
- ② Car audio system
- ③ Trim plate
- ④ Remote control
- ⑤ Rubber cushion
- ⑥ Standard connector
- ⑦ Removal keys x 2 pcs
- ⑧ Screws M5x6 mm x 4 pcs
- ⑨ User manual
- ⑩ Installation guide
- ⑪ MP3-link cable

### What's in the box

Check and identify the contents of your package:



## Overview of the main unit



### ① ▲DBB

- Select tuner band.
- Select folder.
- Turn on or off Dynamic Bass Boost (DBB) sound.

### ② ◀▶

- Tune for radio station.
- Skip/search for track.

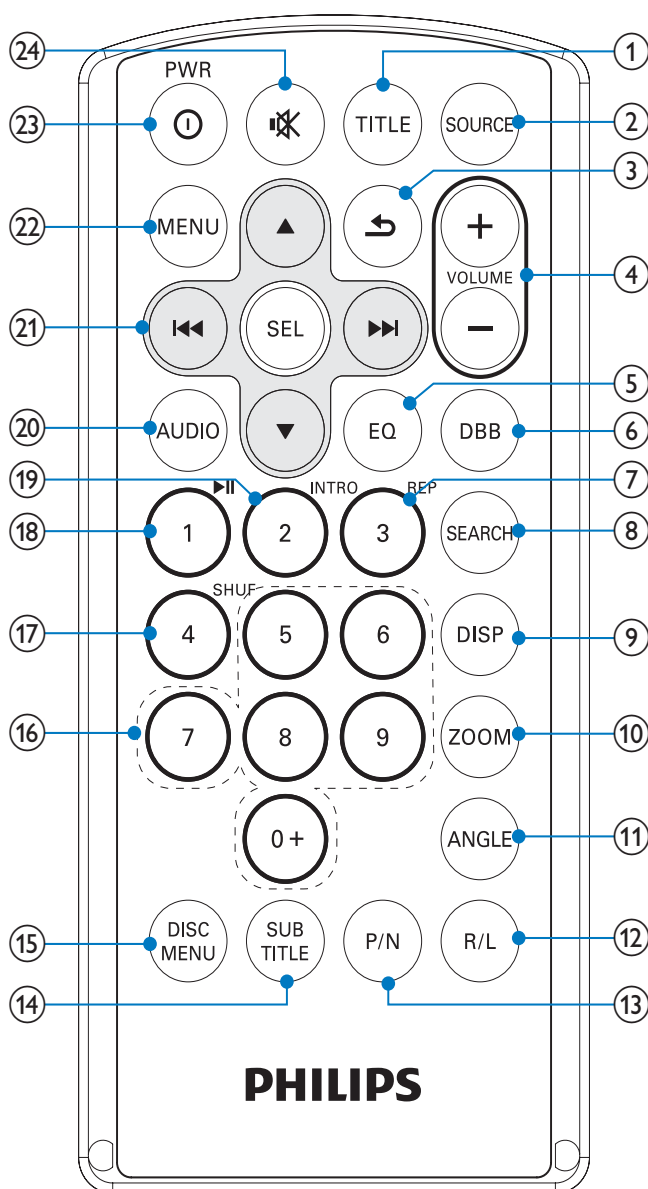
### ③ MUTE

- Turn the unit on or off.
- Turn mute on or off.
- Adjust volume.
- Confirm selection.

- ④ **1, ►||**
  - Start play
  - Pause or resume play.
  - Select preset station no. 1
- ⑤ **INTRO, 2**
  - Turn scan play on or off.
  - Select preset station no. 2
- ⑥ **3, REP**
  - Set repeat play mode.
  - Select preset station no. 3
- ⑦ **Remote sensor**
- ⑧ **↶**
  - Return to previous menu.
  - Stop searching.
  - Disable screen saver.
- ⑨ **Screen**
- ⑩ **▲**
  - Unlock the front panel.
- ⑪ **USB socket**
- ⑫ **EQ/AUDIO**
  - Select equalizer (EQ) setting.
  - Access audio setting menu.
- ⑬ **External equipment audio-in socket**
- ⑭ **SHUF, 4**
  - Turn random play on or off.
  - Select preset station no. 4
- ⑮ **5, P/N**
  - Select preset station no. 5
  - Select video output format.
- ⑯ **6, R/L**
  - Select preset station no. 6.
  - Select audio channel.
- ⑰ **MENU**
  - Access system menu.
- ⑱ **▼SEARCH**
  - Select tuner band.
  - Store radio station automatically.
  - Select RDS program type.
  - Select folder.

- ⑲ **SOURCE**
  - Select audio source.
- ⑳ **SD/MMC card slot**
- ㉑ **▲**
  - Eject disc.
- ㉒ **Disc slot**
- ㉓ **Panel status indicator**
  - Lights up when the panel is open.
- ㉔ **RESET**
  - Restore default settings.

## Overview of the remote control



- ① **TITLE**
  - Access or exit DVD title menu.
- ② **SOURCE**
  - Select connected device.
- ③ **↶**
  - Return to previous menu.
  - Disable screen saver.
- ④ **VOLUME +/-**
  - Adjust volume.
- ⑤ **EQ**
  - Select equalizer (EQ) setting.
- ⑥ **DBB**
  - Turn on or off Dynamic Bass Boost (DBB) sound.
- ⑦ **3, REP**
  - Select repeat play mode.
  - Select preset station no. 3
- ⑧ **SEARCH**
  - Store radio station automatically.
- ⑨ **DISP**
  - Display play information.
- ⑩ **ZOOM**
  - Enlarge or reduce picture or active image size.
- ⑪ **ANGLE**
  - Select a difference angle/version of the current DVD scene.
- ⑫ **R/L**
  - Select audio channel.
- ⑬ **P/N**
  - Select video output format.
- ⑭ **SUBTITLE**
  - Select DVD or DivX subtitle language.
- ⑮ **DISC MENU**
  - Return to DVD main menu.
- ⑯ **5/6/7/8/9/0**
  - Select track or preset radio station.
- ⑰ **SHUF, 4**
  - Turn random play on or off.
  - Select preset station no. 4.
- ⑱ **1, ►||**
  - Start play.
  - Pause or resume play.
  - Select preset station no. 1
- ⑲ **INTRO, 2**
  - Turn intro play on or off.
  - Select preset station no. 2
- ⑳ **AUDIO**
  - Access audio setting menu.
- ㉑ **Navigation buttons**
  - **◀◀/▶▶**  
Tune for radio station.  
Skip/search for track.
  - **▲/▼**  
Select tuner band.  
Select folder.
  - **SEL**  
Confirm selection.
- ㉒ **MENU**
  - Access system menu.
- ㉓ **⓪PWR**
  - Turn the unit on or off.
- ㉔ **ⓧ**
  - Mute or unmute audio.



# 3 Get started

## ! Caution

- Use the controls only as stated in this user manual.

Always follow the instructions in this chapter in sequence.

If you contact Philips, you will be asked for the model and serial number of your unit. The model number and serial number are on the back or side of your unit. Write the numbers here:

Model No. \_\_\_\_\_

Serial No. \_\_\_\_\_

## Install the car audio

These instructions are for a typical installation. However, if your car has different requirements, make the corresponding adjustment. If you have any questions regarding installation kits, consult your Philips car audio dealer.

## ! Caution

- This unit is designed for negative ground (earth) 12 V DC operation only.
- Always install this unit in the car dashboard. Other locations can be dangerous as the rear of the unit heats up during use.
- To avoid short-circuit: before you connect, ensure that the ignition is off.
- Ensure that you connect the yellow and red power supply leads after all other leads are connected.
- Ensure that all loose leads are insulated with electrical tape.
- Ensure that the leads do not get caught under screws or in parts that will move (e.g. seat rail).
- Ensure that all ground (earth) leads are run to a common ground (earth) point.
- Use only the supplied mounting hardware for a safe and secure installation.
- Improper fuses can cause damage or fire. When you need to change the fuse, consult a professional.

## Note on the power supply lead (yellow)

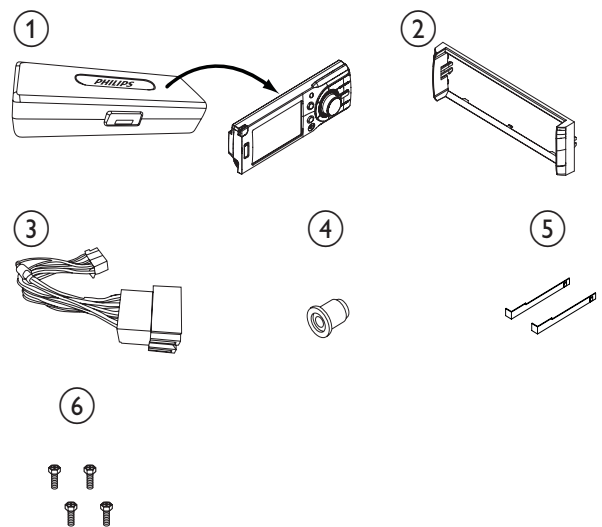
- When you connect other devices to this apparatus, ensure that the rating of the car circuit is higher than the total fuse value of all the connected devices.

## Notes on speaker connection

- Never connect speaker wires to the metal body or chassis of the car.
- Never connect speaker wires with stripes to one another.

## Overview of parts

These are the supplied parts needed to connect and install this unit.



- ① Carry case with front panel stored inside
- ② Trim plate
- ③ Standard connector
- ④ Rubber cushion
- ⑤ Removal keys x 2 pcs
- ⑥ Screw x 4 pcs

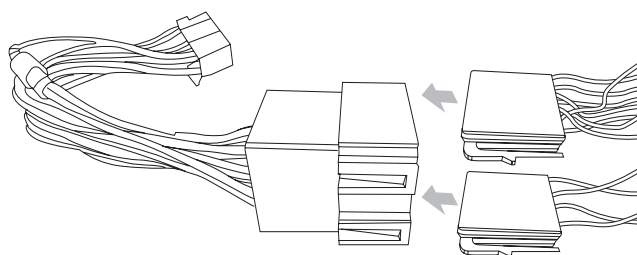
## Connect wires: ISO connectors



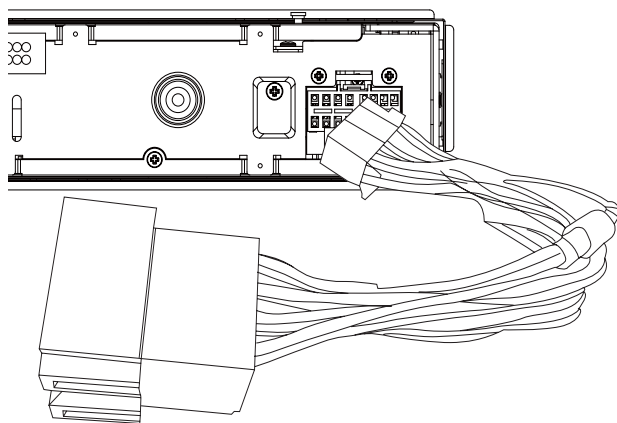
### Caution

- Ensure that all loose leads are insulated with electrical tape.

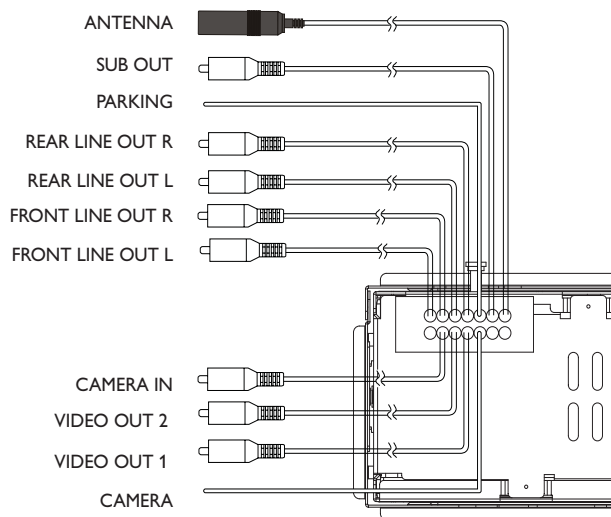
- 1 Pull out the ISO connectors from the car dashboard and connect them to the bigger end of the supplied standard connector.



- 2 Connect the other end of supplied standard connector to the unit.



- 3 Do the other connections, if applicable.



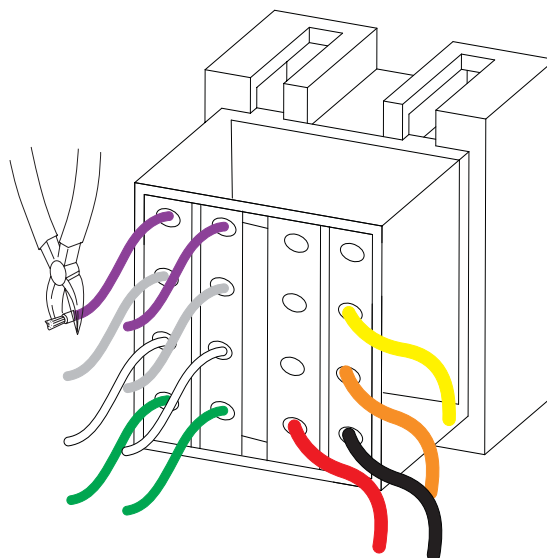
## Connect wires: without ISO connectors



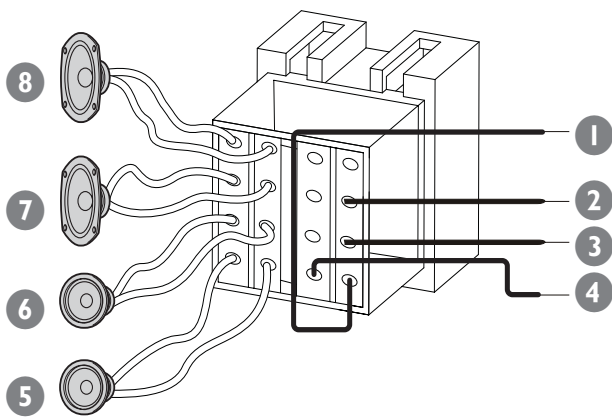
### Caution

- Ensure that all loose leads are insulated with electrical tape.

- 1 Cut off the bigger end of the supplied standard connector.



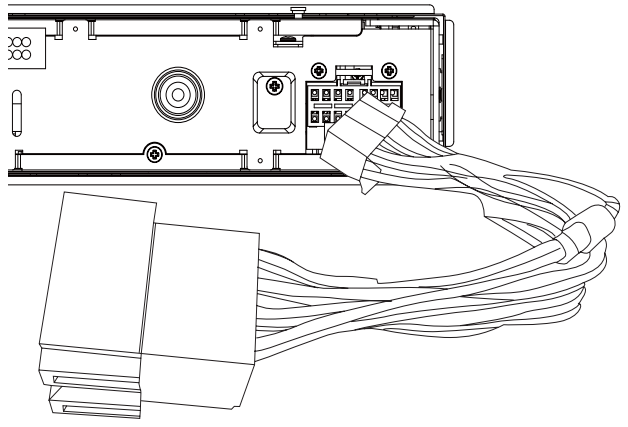
- 2 Check the car's wiring carefully, then connect them to the standard connector.



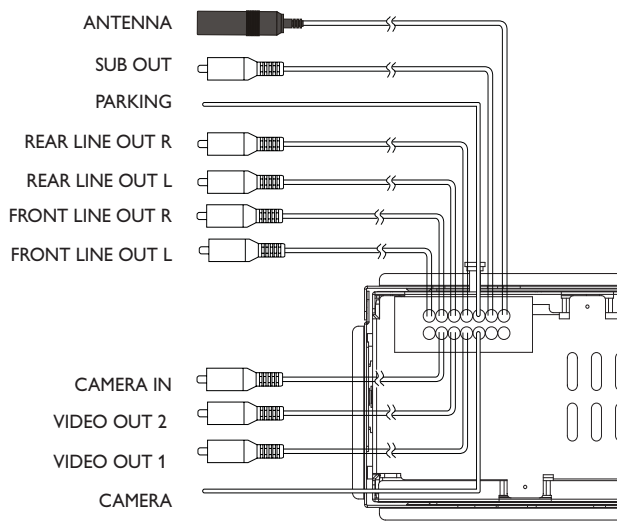
	Connector	Connect to
1	Black wire	<b>A metal surface of the car</b> First connect the black ground (earth) lead, then connect the yellow and red power supply leads.
2	Yellow wire	<b>The +12V car battery which is live at all times.</b>
3	Orange/white wire	<b>Illumination switch</b>
4	Red wire	<b>The +12V power terminal which is live in the accessory (ACC) position of the ignition switch</b> If there is no accessory position, connect to the +12V car battery terminal that is always live. Be sure to connect the black ground (earth) lead to a metal surface of the car first.
5	Green and green/black wires	<b>Left speaker (Rear)</b>
6	White and white/black wires	<b>Left speaker (Front)</b>

7	Gray and gray/black wires	<b>Right speaker (Front)</b>
8	Purple and purple/black wires	<b>Right speaker (Rear)</b>

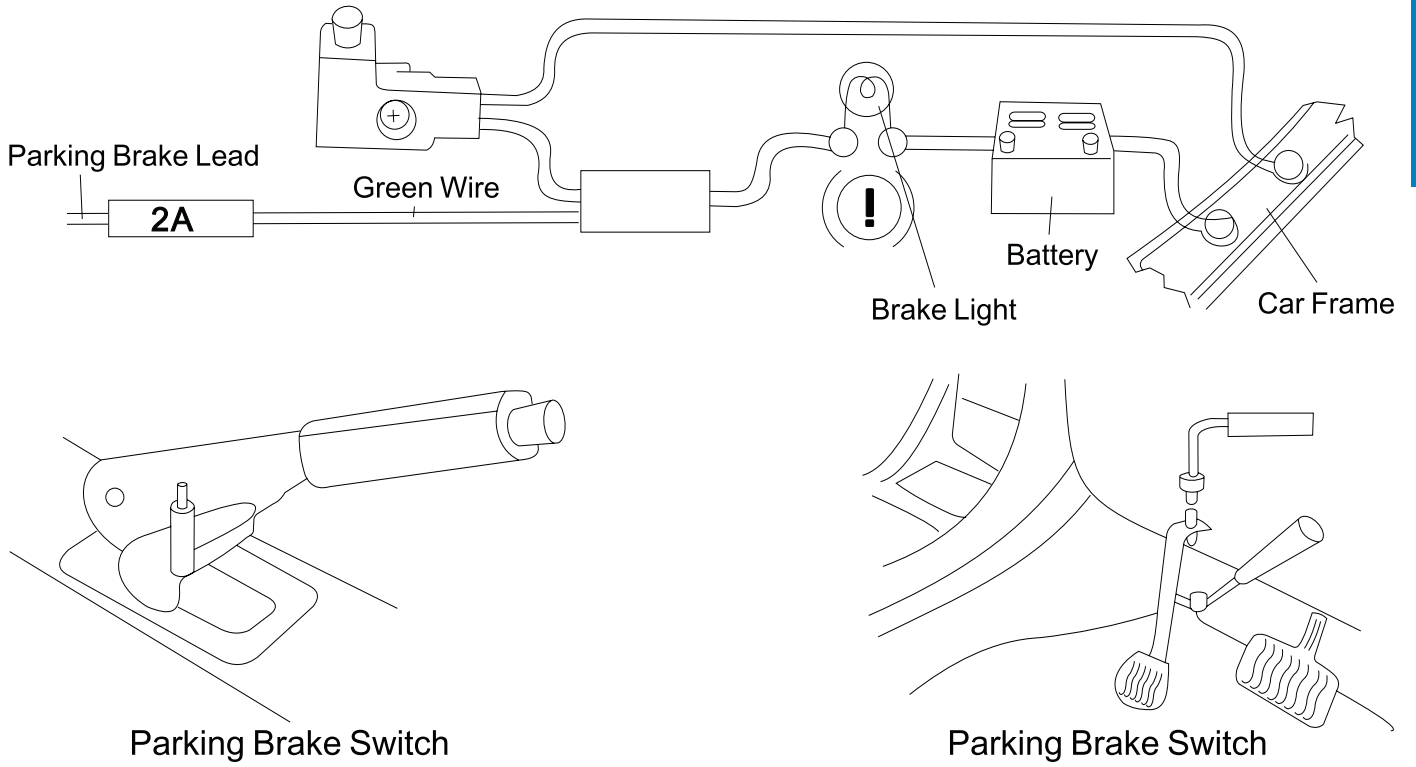
**3** Connect the supplied standard connector to the unit.



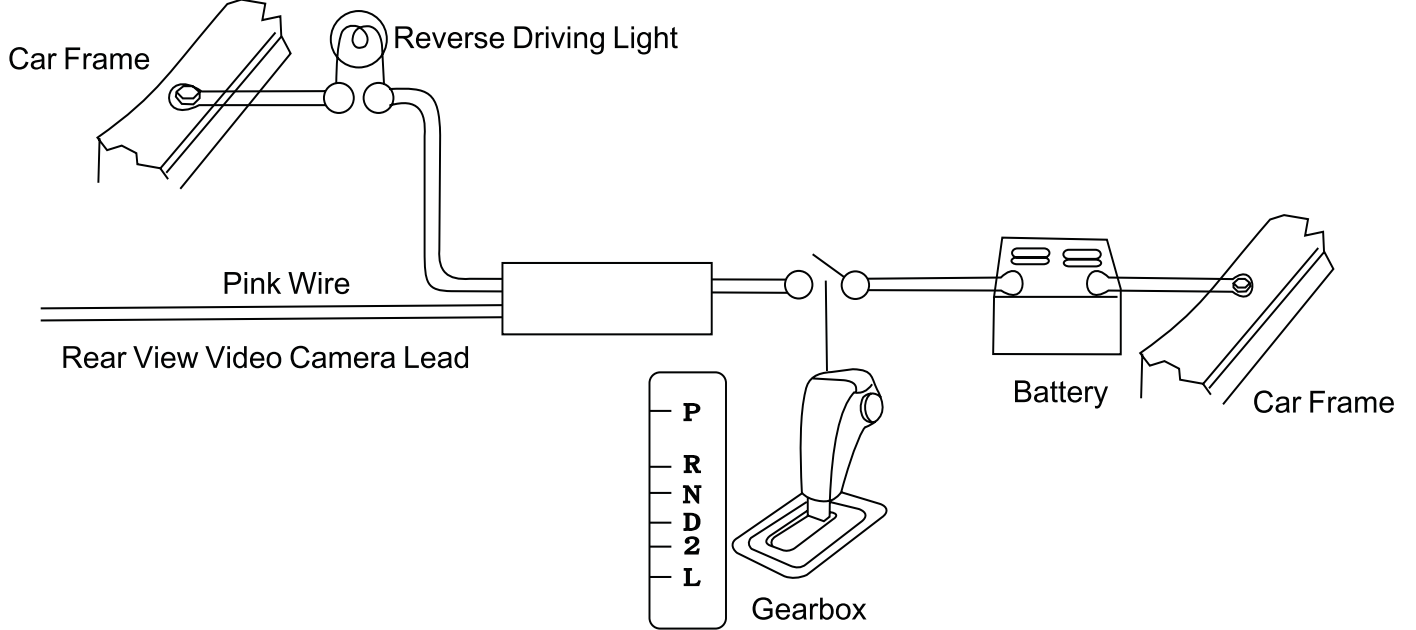
**4** Do the other connections, if applicable.



### Connect parking brake cable

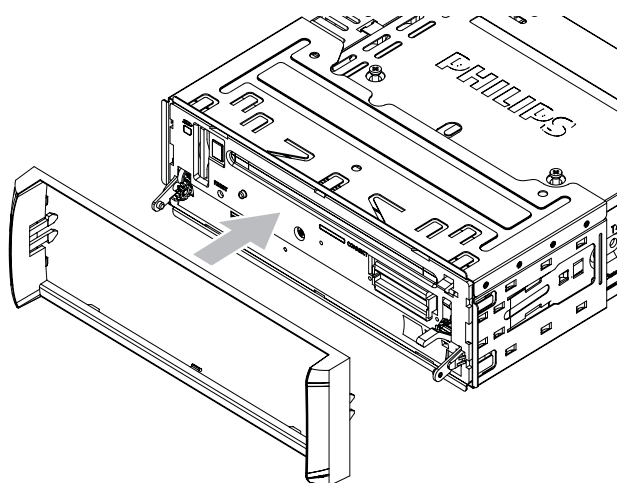


### Connect reverse driving cable

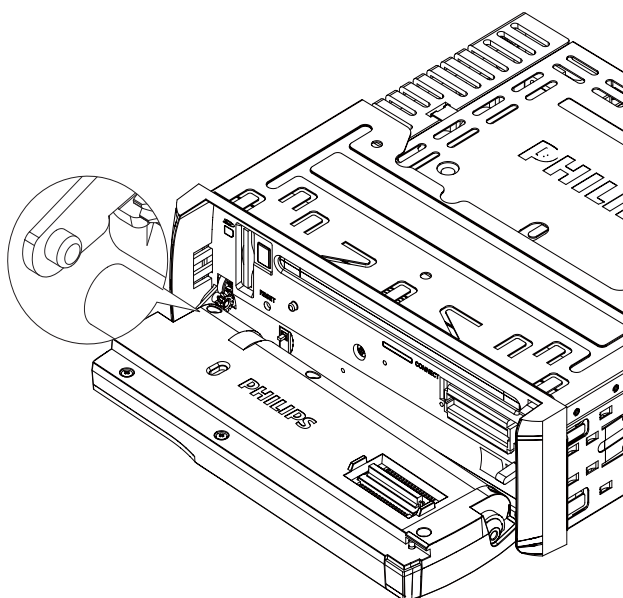


## Attach the front panel

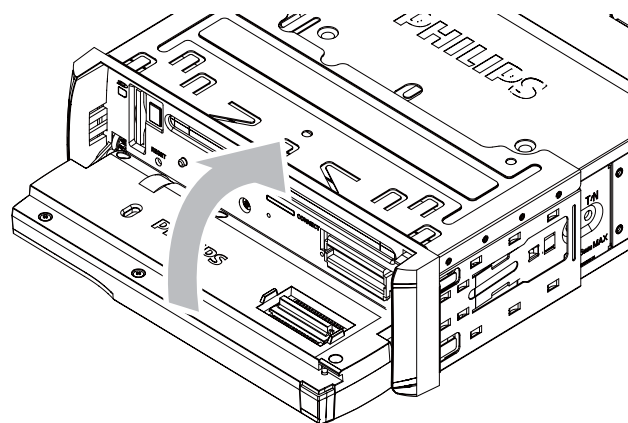
- 1 Attach the trim plate.



- 2 Insert the left side of the panel in the chassis until it is correctly engaged.



- 3 Press the right side of the panel until the mechanism locks it into place.
- 4 Close the front panel.

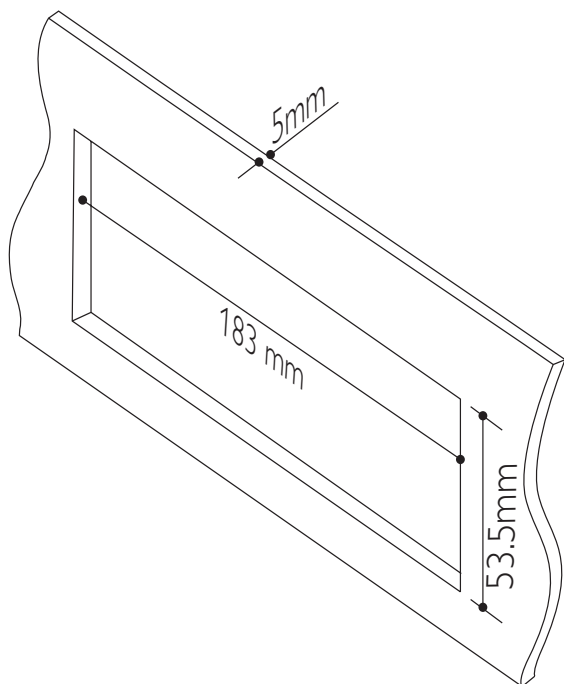


## Mount in the dashboard

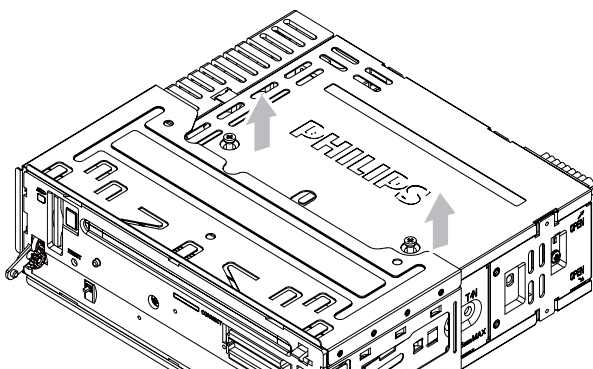
### Note

- For proper operation of the DVD player, the chassis must be mounted within 20 degree horizontal. Ensure that the unit is mounted within this limitation.

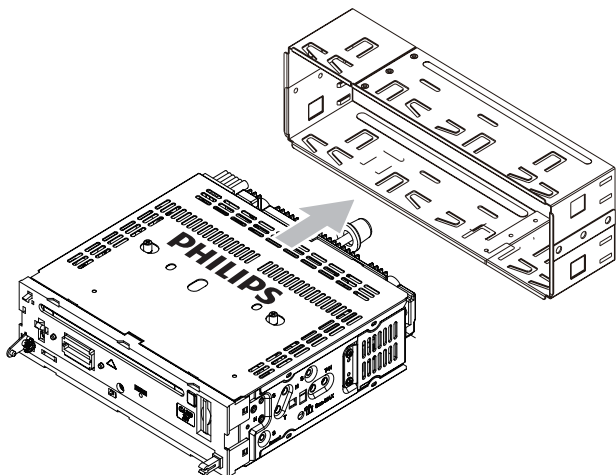
- 1 If the car does not have an on-board drive or navigation computer, disconnect the negative terminal of the car battery.
  - If you disconnect the car battery in a car that has an on-board drive or navigation computer, the computer may lose its memory.
  - If the car battery is not disconnected, to avoid short-circuit, ensure that bare wires do not touch each other.
- 2 Ensure that car dashboard opening is within these measurements:



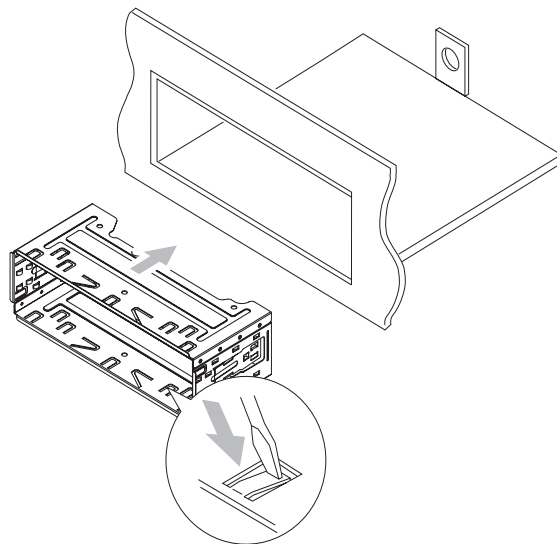
- 3** Remove the two transport screws on the top of the unit.



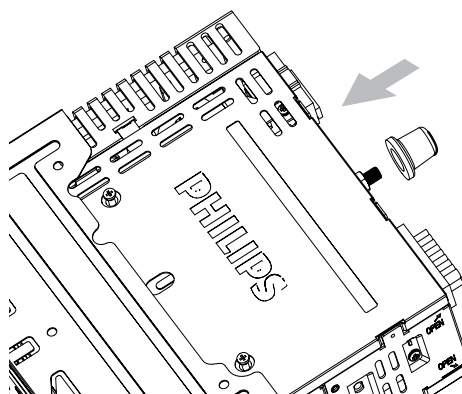
- 4** Remove the mounting sleeve with the removal keys.



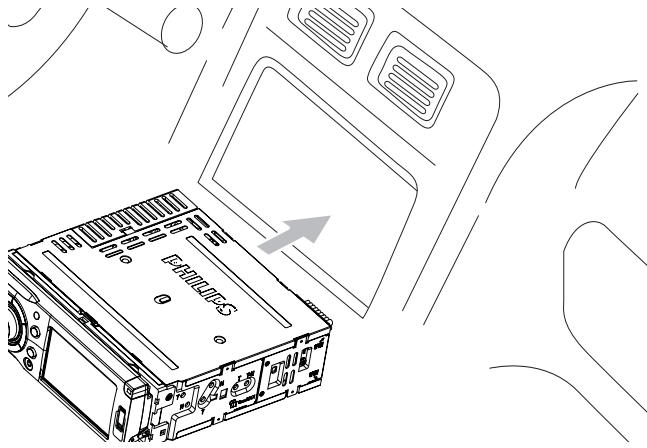
- 5** Install the sleeve into the dashboard and bend the tabs outward to fix the sleeve.
- If the unit is not fixed by sleeve but by the supplied screws, skip this step.



- 6** Place the rubber cushion over the end of the bolt.



- 7** Slide the unit into the dashboard until a click sound is heard.



- 8 Reconnect the negative terminal of the car battery.

## Install remote control battery



### Caution

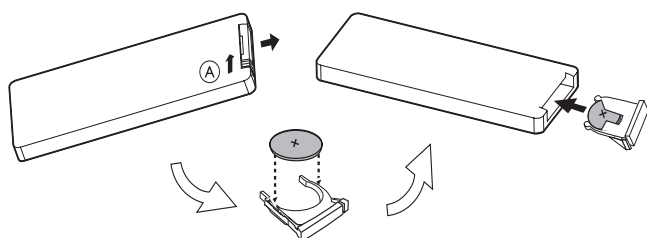
- Risk of explosion! Keep batteries away from heat, sunshine or fire. Never discard batteries in fire.



### Note

- Remove batteries if they are exhausted or if the remote control is not to be used for a long time.
- Batteries contain chemical substances, they should be disposed of properly.
- Perchlorate Material - special handling may apply. See [www.dtsc.ca.gov/hazardouswaste/perchlorate](http://www.dtsc.ca.gov/hazardouswaste/perchlorate).

- 1 Open the battery compartment.
- 2 Insert one CR2025 battery with correct polarity (+/-) as indicated.
- 3 Close the battery compartment.



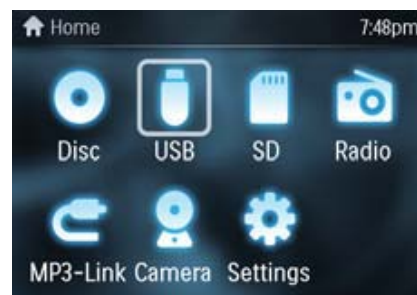
## Turn on

- 1 Press the  $\odot$  knob to turn on the unit.
  - ↳ The unit plays the last listened program: DVD, Tuner, USB or SD/MMC Card (if there is USB device or SD/MMC card connected).
- To turn off the unit, press the  $\odot$  knob for more than 2 seconds.
- When the unit is idle for over 5 minutes, it goes to standby mode and displays screen saver.

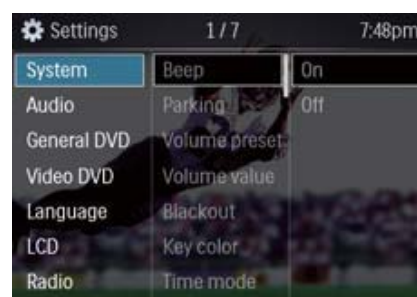
## Select display language

Russian is the default language for screen display. You can change the display language.

- 1 Press **MENU**.
  - ↳ The main menu is displayed.



- 2 On the remote control, press the navigation buttons to select **[SETTINGS]**, then press **SEL** to confirm.
  - ↳ The setting menu is displayed.



- 3 Press the navigation buttons to select **[Language]** > **[OSD Language]**.



- 4 Press the navigation buttons to select a language, then press **SEL**.
- 5 Press **↵** to exit.

## Set clock

- 1 Press **MENU**.
- 2 Press the navigation buttons to select **[SETTINGS]**, then press **SEL** on the remote control.
- 3 Select **[System]**, then press **▶▶**.
- 4 Select **[Time mode]**, then press **▶▶**.
  - ↳ The time mode options are displayed:
  - ↳ **[12 hour mode]**
  - ↳ **[24 hour mode]**
- 5 Select a mode, then press **SEL**.
- 6 Press **◀◀** to return to previous menu and select **[Time adjust]**, then press **▶▶**.
- 7 Press **▲** or **▼** to enter clock, then press **SEL**.



# 4 Play

Ensure that the device contains playable content.

The unit supports SDHC card.

## Load discs

You can play video, audio or images stored on the following discs:

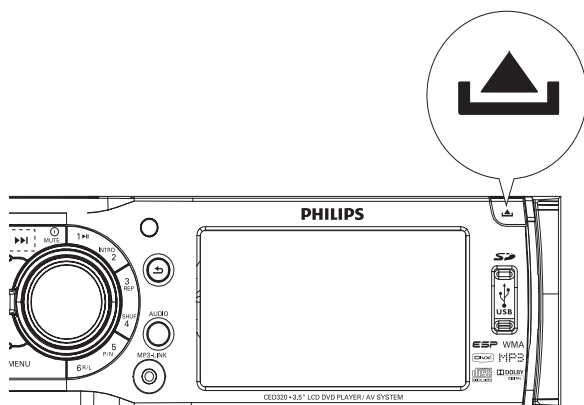
- DVD video, DVD-R, DVD-RW
- VCD
- Audio CD, CD-R, CD-RW

You can play DVD discs with the following region codes:

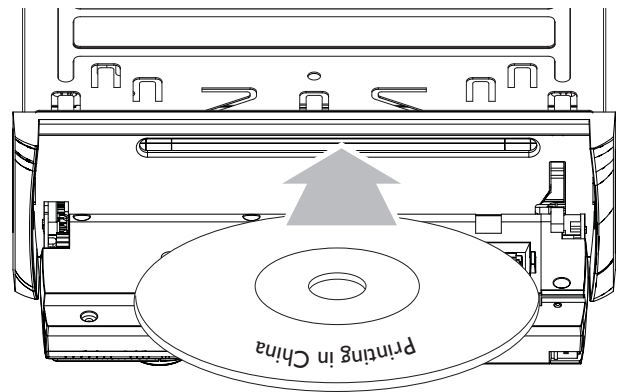




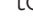




Russia, India

- 1 Press  to open the front panel.

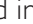


- 2 Insert the disc into the disc slot with label side facing up.
  - ↳ Play resumes from the point where it was last stopped.



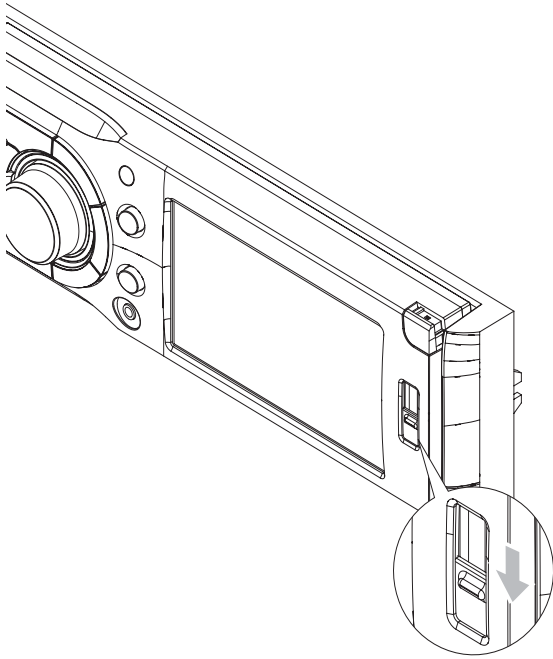
- 3 To remove the disc, press the  button.
  - ↳ When the disc is ejected, the unit switches to TUNER mode automatically.
- 4 Close the front panel.
  - ↳ After a few seconds, the screen turns on.
  - ↳ For video discs, if a menu appears: press  or  to select an item, then press  to start play.
  - ↳ For discs that contain MP3s, WMAs, or JPEGs: , press  or  to select a folder/track/picture, then press  to start play.

### Tip

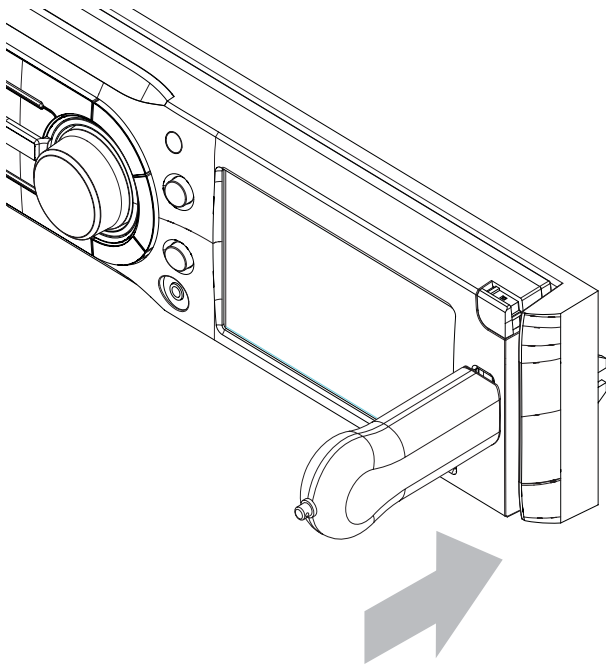
- If the disc is blocked in the disc compartment, press and hold  until the disc comes out.

## Insert USB device

- 1 Slide down the USB socket cover.



- 2 Insert the USB device into the USB socket.
  - ↳ The unit starts playing from the USB device automatically.

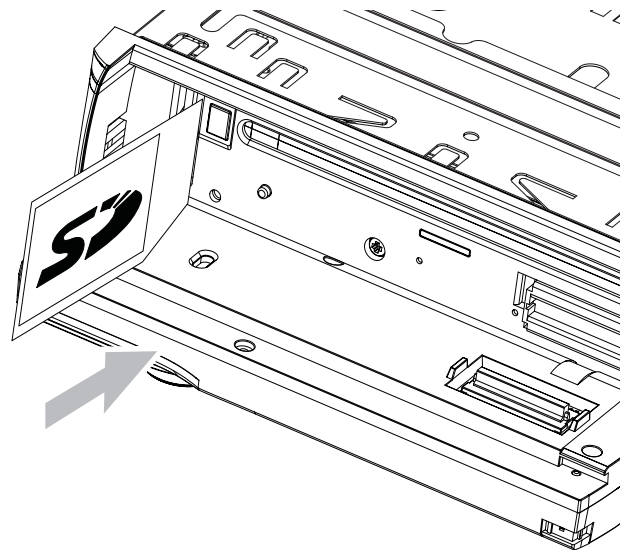


## Remove the USB device

- 1 Press  $\text{\textcircled{O}}$  to turn off the unit.
- 2 Remove the USB device.

## Insert SD/MMC card

- 1 Press  $\blacktriangle$  to open the front panel.



- 2 Insert the SD or MMC card into the card slot.
  - ↳ The unit starts playing from the SD/MMC card automatically.

## Remove the SD/MMC card

- 1 Press  $\text{\textcircled{O}}$  to turn off the unit.
- 2 Press the card until you hear a click sound.
  - ↳ The card is now disengaged.
- 3 Remove the SD or MMC card.

---

## Skip/search

### During video disc play

- To skip to a specified chapter, press the number buttons on the remote control.
- To skip to the previous/next chapter, press **⏮** or **⏭**.
- To search backward/forward rapidly, press **⏮** or **⏭** for 3 seconds.
  - ↳ **[Backward]** or **[Forward]** is displayed.
    - To change search speed, repeatedly press **⏮** or **⏭** for 3 seconds
    - To resume normal play, press **⏪** or **⏩**.

### During audio disc play

- To skip to a specified track, press the number buttons on the remote control.
  - To skip to track number over 9, press **0** first, then press the number button.
- To skip to the previous/next track, press **⏮** or **⏭**.
- To search backward/forward rapidly within the current track, press **⏮** or **⏭** for 3 seconds.

### DuringMP3/WMA play

- To select a track, press **▲** or **▼** to select a folder, then press **⏮** or **⏭** to skip to the previous/next track. Or press the number buttons on the remote control to skip to a specified track.
- To search backward/forward rapidly within the current track, press **⏮** or **⏭** for 3 seconds

### For picture disc

- To skip to the previous/next picture, press **⏮** or **⏭**.

---

## Intro play

For audio tracks, you can play the first 10 seconds of each track.

- 1 During play, press **INTRO**, **2** to select:

- **[Intro][On]** : After the first 10 seconds of each track have been played, play stops.
- **[Intro][Off]**: Cancel intro play and start normal play.

---

## Repeat play

### For video play

During play, press **3**, **REP** repeatedly to select:

- **[Rep 1]** : play the current chapter repeatedly.
- **[Rep all]** :play all chapters in the title repeatedly.
- **[Rep off]** : cancel repeat play.

---

### For audio disc play

During play, press **3**, **REP** repeatedly to select:

- **[Rep 1]**: play the current track repeatedly.
- **[Rep all]**: play all tracks repeatedly.
- **[Rep off]**: cancel repeat play.

---

### For MP3/WMA play

During play, press **3**, **REP** repeatedly to select:

- **[Rep 1]** : play the current track repeatedly.
- **[Rep dir]** : play all tracks in the current folder repeatedly.
- **[Rep all]**: play all tracks repeatedly.
- **[Rep off]** : cancel repeat play.

---

## Random play

You can play audio tracks in random order:

- 1 During play, press **SHUF**, **4** to select:
  - **[Shuffle all]** : starts random play for all tracks.

- **[Shuffle dir]**: starts random play in current folder.
- **[Shuffle off]** : cancel random play.

---

## Select subtitle language

For DVD or DivX discs that contain two or more subtitle languages.

- 1 During play, press **SUBTITLE** on the remote control repeatedly until the language is selected.

---

## Select audio language

For video discs that contain two or more audio channels.

- 1 During play, press **R/L** on the remote control repeatedly until the language is selected.

---

## Select audio mode

When you play VCDs/CDs, you can select an audio mode (R/L/Stereo).

- 1 Press **R/L** repeatedly until the audio mode is selected.

---

## Select video output format

The default video output format has been chosen according to format that is broadcast in your country. If the picture looks unusual, change the video output.

- 1 Press **P/N** repeatedly to select:
  - **[NTSC]**: used in the United States, Canada, Japan, Mexico, the Philippines, South Korea, Taiwan, and some other countries.

- **[PAL]**: used in most of the Western European countries (except France), Australia, and some other countries.
- **[Auto]**: The correct format is set automatically. Select this option if you are not sure which format should be selected.

---

## Zoom

For DVDs, VCDs and picture CDs, you can zoom in and out for video images or pictures.

- 1 Press **ZOOM** on the remote control repeatedly to select rate.
  - **[Zoom]** is displayed.

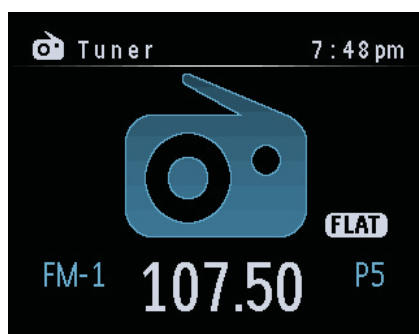


- 2 When the video image or picture is enlarged, press the navigation buttons to pan through it.

# 5 Listen to radio

## Tune to a radio station

- 1 Press **SOURCE** to select Tuner.
- 2 Press **▲** or **▼** to select band.  
↳ [FM] or [AM] is displayed.



- 3 Press **◀◀** or **▶▶** to tune to a radio station manually.
  - To search for radio station automatically, press **◀◀** or **▶▶** for 3 seconds.

## Store radio stations in memory

You can store up to 6 stations in each band.

### Store stations automatically

- 1 Press **SEARCH▼** for 3 seconds.  
↳ The six strongest stations of the selected band are saved in preset channels 1-6 automatically.

### Store stations manually

- 1 Tune to the station that you want to store.
- 2 Press one of the numbered buttons **1** to **6** for over 2 seconds.  
↳ The station is saved in the selected channel.

## Tune to a preset station

- 1 Press **▲DBB** or **SEARCH▼** to select band.
- 2 Press the number button **1** to **6** to select the preset station.

## Play with RDS

The RDS (Radio Data System) function operates only in areas with FM stations broadcasting RDS signals. If you tune to an RDS station, an RDS icon and the station name are displayed.

### Search for an RDS station by PTY information

Before tuning to RDS stations, you can select program type (PTY) and let the unit search only for programs of the selected category.

- 1 Press **▲** or **▼** to select [FM1], [FM2], or [FM3].
- 2 Press and hold **SEARCH**.  
↳ Search menu is displayed.



- 3 Rotate **⊙** to select [PTY][Menu], then press **⊙**.  
↳ List of available program type is displayed.



- 4 Rotate  $\odot$  to select a type, then press  $\odot$ .  
 ↳ The unit starts searching.



- 5 Rotate  $\odot$  to select a channel from the list of search result, then press  $\odot$ .

### RDS program types

Item	Program type	Description
1	NEWS	News services
2	AFFAIRS	Politics and current affairs
3	INFO	Special information programs
4	SPORT	Sports
5	EDUCATE	Education and advanced training
6	DRAMA	Radio plays and literature
7	CULTURE	Culture, religion and society
8	SCIENCE	Science
9	VARIED	Entertainment programs

10	POP M	Pop music
11	ROCK M	Rock music
12	MOR M	Light music
13	LIGHT M	Light classical music
14	CLASSICS	Classical music
15	OTHER M	Special music programs
16	WEATHER	Weather
17	FINANCE	Finance
18	CHILDREN	Children's programs
19	SOCIAL	Social Affairs
20	RELIGION	Religion
21	PHONE IN	Phone In
22	TRAVEL	Travel
23	LEISURE	Leisure
24	JAZZ	Jazz Music
25	COUNTRY	Country Music
26	NATION M	National Music
27	OLDIES	Oldies Music
28	FOLK M	Folk Music
29	DOCUMENT	Documentary
30	TEST	Alarm Test
31	ALARM	Alarm
32	OFF	Turns PTY search off.

# 6 Adjust settings

## Adjust sound

### Adjust volume

- 1 Turn  $\odot$  clockwise/anticlockwise to increase/decrease volume.

### Mute

You can turn off the sound of your audio.

- 1 During play, press **MUTE** $\odot$ .
  - To turn the sound back on, press **MUTE** $\odot$  again.

### Toggle Dynamic Bass Boost on/off

- 1 Press **▲DBB** for 3 seconds to display the current setting.
  - ↳ **[DBB ON]** :The Dynamic Bass Boost (DBB) function is on.
  - ↳ **[DBB OFF]** :The DBB function is off.
- 2 Press **▲DBB** again for 3 seconds to change the DBB setting.

### Select preset equalizer

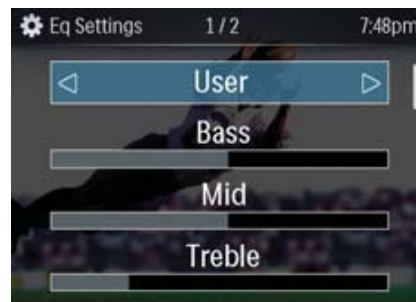
You can select preset equalizer:

- **[User]**
- **[Techno]**
- **[Rock]**
- **[Classic]**
- **[Jazz]**
- **[Optimal]**
- **[Flat]**
- **[Pop]**

#### Note

- Only when you selected the **[USER]** equalizer, the Bass/Middle/Treble sound value adjusted can be retained.

- 1 Press **EQ/Audio**.
  - ↳ The current Equalizer setting is displayed.



- 2 Press **◀◀** or **▶▶** to select a preset EQ.
- 3 You can also adjust below settings:
  - **[BAS]** bass range: -7 to +7
  - **[MID]** middle range: -7 to +7
  - **[TRE]** treble range: -7 to +7
  - **[LPF]** low pass filter range: 60, 80, 100, 200.
  - **[MPF]** middle pass filter range: 500, 1K, 1.5K, 2.5K.
  - **[HPF]** high pass filter range: 10K, 12.5K, 15K, 17.5K.
- 4 Press **↵** to exit.

### Other sound settings

You can also adjust the front and rear speaker balance, the left and right speaker balance, and subwoofer settings.

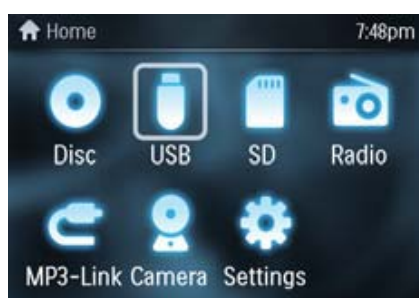
- 1 Press **EQ/Audio** for 3 seconds.
  - ↳ Below options are displayed:



- 2 Press ▲ or ▼ repeatedly to select the item to be adjusted:
  - [BAL] balance range: 10L to 10R. (L = left speaker, R = right speaker)
  - [FAD] fader range: 10R to 10F. (R = rear speaker, F = front speaker)
  - [SUB] subwoofer : ON, OFF
  - [SUB VOL] subwoofer volume: 0 to 20
- 3 Press ◀◀ or ▶▶ to change value, then press Ⓞ.
- 4 Press ↵ to exit.

## Adjust system settings

- 1 Press MENU.  
↳ The main menu is displayed.



- 2 Press the navigation buttons to select [SETTINGS], then press Ⓞ to confirm.  
↳ The setting menu is displayed.



- 3 Press the navigation buttons to select [System], then press ▶▶.

[Beep]	[On]	Turn on the beep sound. Each time you press a button, the unit beeps. You can turn off/on this beep sound.
	[Off]	Turn off the beep sound.
[Parking]	[On]	Disable DVD watching during driving.
	[Off]	Enable DVD watching during driving.
[Volume preset]	[Last]	Each time you turn on the unit, the volume remains from its previous use.
	[Adjust]	Each time you turn on the unit, the volume is at the preset level.
[Volume value]	0 - 47	Set start volume if [Adjust] is selected.
[Blackout]	[Off]	Never turn on the screen saver.
	[10s off]	Turn on the screen saver automatically 10 seconds after last operation.
	[20s off]	Turn on the screen saver automatically 20 seconds after last operation.
[Key color]	[Red]	Button backlight turns red.
	[Blue]	Button backlight turns blue.



[Time mode]	[12 hour mode]
	[24 hour mode]
[Time adjust]	Set clock.

- 4 Press the navigation buttons to select an option, then press  $\odot$  to confirm.
- 5 Press  $\blacktriangleleft$  to exit.

## Adjust general DVD settings

- 1 Press **MENU**.
- 2 Press the navigation buttons to select **[SETTINGS]**, then press  $\odot$  to confirm.
- 3 Press the navigation buttons to select **[General DVD]**, then press  $\blacktriangleright$  to access its submenu.



[TV System]	[NTSC]	Used in the United States, Canada, Japan, Mexico, the Philippines, South Korea, Taiwan, and some other countries.
	[PAL]	Used in the United States, Canada, Japan, Mexico, the Philippines, South Korea, Taiwan, and some other countries.

	[Auto]	The correct format is set automatically. Select this option if you are not sure which format should be selected.
[TV Type]	[4:3 PS]	While playing a full-height picture, the sides of the picture may be trimmed.
	[4:3 LB]	While playing a wide-screen picture, black bars may appear on the top and the bottom of the screen.
	[16:9]	For widescreen display.
[Password]	[Last]	Set password to restrict the play of discs. The default password is 0000.
[Rating]	[1 kid safe]	Acceptable for children.
	[2 G]	Acceptable for general viewers.
	[3 PG]	Parental guidance suggested.
	[4 PG 13]	Unsuitable for children under age 13
	[5 PGR]	Recommend parents to restrict children under 17 to view.
	[6 R]	Restricted. Recommend parent to guide children under 17 to view.
	[7 NC 17]	Unsuitable for children under age 17.
	[8 Adult]	Acceptable for adults only.
[Default]		Restore to default settings.

- 4 Press the navigation buttons to select an option, then press  $\odot$  to confirm.

- 5 Press **↵** to exit.

## Adjust video DVD settings

You can adjust color settings for video output.

- 1 Press **MENU**.
- 2 Press the navigation buttons to select [**Settings**], then press **⏻** to confirm.
- 3 Press the navigation buttons to select [**Video DVD**], then press **▶▶** to access its submenu.  
↳ Below options are displayed:

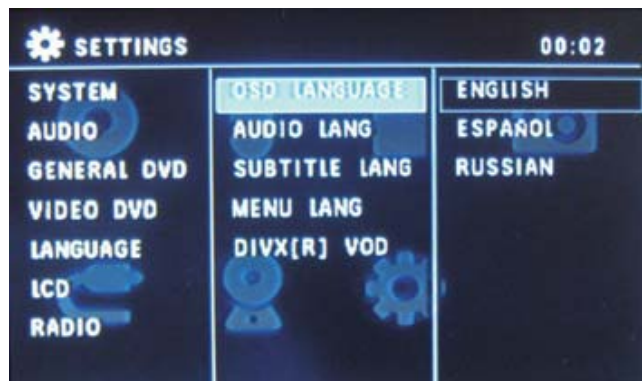


- [**BRIGHTNESS**]: 0 to 12.
- [**CONTRAST**]: 0 to 12.
- [**HUE**]: -6 to +6.
- [**SATURATION**]: 0 to 12.
- [**SHARPNESS**]: 0 to 8.

- 4 Press the navigation buttons to select an option, then press **⏻** to confirm.
- 5 Press **↵** to exit.

## Select language

- 1 Press **MENU**.
- 2 Press the navigation buttons to select [**SETTINGS**], then press **⏻** to confirm.
- 3 Press the navigation buttons to select [**Language**], then press **▶▶**.  
↳ Below options is displayed:



- ↳ [**OSD Language**]
- ↳ [**Audio Lang**]
- ↳ [**Subtitle lang**]
- ↳ [**Menu lang**]
- ↳ [**DivX [R] VOD**]

- 4 Press the navigation buttons to select an item, then press **⏻** to confirm.
- 5 Press **↵** to exit.

## View DivX registration code

DivX is a popular media technology created by DivX, Inc. DivX media files contain highly compressed video with high visual quality that maintains a relatively small file size. DivX files can also include advanced media features like menus, subtitles, and alternate audio tracks. Many DivX media files are available for download online, and you can rent and purchase DivX videos with the DivX VOD (Video on Demand) service. To use this service, you need the DivX VOD registration code of the unit. For more information and instructions, visit [www.divx.com/vod](http://www.divx.com/vod).

- 1 Press **MENU**
- 2 Press the navigation buttons to select [**SETTINGS**], then press **SEL** to confirm.
- 3 Press the navigation buttons to select [**Language DVD**], then press **▶▶**.
- 4 Select [**DivX [R] VOD**], then press **SEL**.  
↳ The DivX registration code appears
- 5 Write down the number for future reference.

- 6 Press **↵** to exit.

## Adjust display settings

You can adjust the color settings of the screen display.

- 1 Press **MENU**.  
↳ Below options are displayed:
- 2 Press the navigation buttons to select **[SETTINGS]**, then press **⊙** to confirm.
- 3 Press the navigation buttons to select **[LCD]**, then press **▶▶** to access its submenu.



**[Brightness]**: 0 to 12.

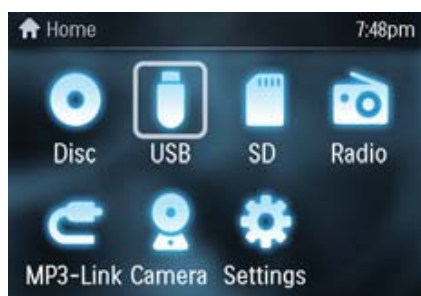
**[Contrast]**: 0 to 12.

**[Saturation]**: 0 to 12.

- 4 Press the navigation buttons to select a value, then press **⊙** to confirm.
- 5 Press **↵** to exit.

## Select tuner sensitivity

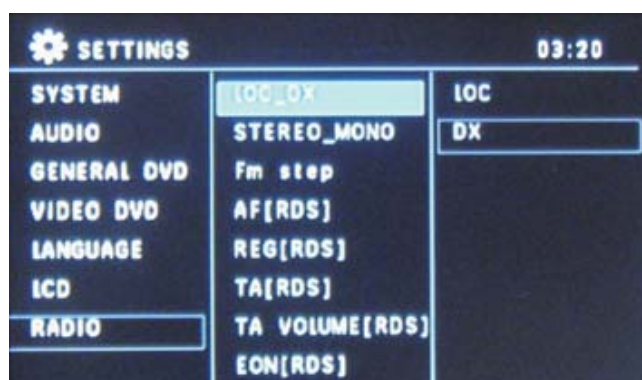
- 1 Press **MENU**.  
↳ The main menu is displayed.



- 2 Press the navigation buttons to select **[SETTINGS]**, then press **⊙**.  
↳ The setting menu is displayed.



- 3 Press the navigation buttons to select **[Radio]**, then press **▶▶**.



- 4 Press the navigation buttons to select an option, then press **⊙** to confirm.

<b>[Loc_Dx]</b>	<b>LOC</b>	Only stations with strong signals can be broadcast.
	<b>DX</b>	Stations with strong and weak signals can be broadcast.
<b>[Stereo_mono]</b>	<b>STEREO</b>	Stereo broadcast.
	<b>MONO</b>	Mono broadcast
<b>[FM step]</b>	<b>[50kHz]</b>	50 kHz per step in FM radio searching.
	<b>[100kHz]</b>	100 kHz per step.
	<b>[200kHz]</b>	100 kHz per step.

[AF][RDS] (alternate frequency)	[On]	If the radio signal come from the current station is poor, the unit searches for another station with stronger signal but with the same program identification automatically
	[Off]	The unit does not search for alternate station.
[REG][RDS] (regional radio)	[On]	Only stations in the current region can be tuned to automatically.
	[Off]	No region limitation.
[TA][RDS] (traffic announcement)	[On]	Allows you to receive traffic announcements automatically no matter what source you are listening to.
	[Off]	Traffic announcement does not cut in.
[TA VOL][RDS]	08 to 34	Allows you to set volume for traffic announcement.
[EON][RDS] (Enhanced Other Networks)	[On]	Local stations 'break into' a national station's broadcast for the duration of a Traffic Announcement.

	[Off]	Local stations does not cut in.
[PS NAME][RDS] (Program Service Name)	[On]	Allows you to see the name of the RDS stations.
	[Off]	The unit does not display RDS station name.
[CT SYNC][RDS] (Clock Time)	[On]	Synchronizes the clock of the unit with that on the RDS station.
	[Off]	The unit does not update clock according to RDS station.

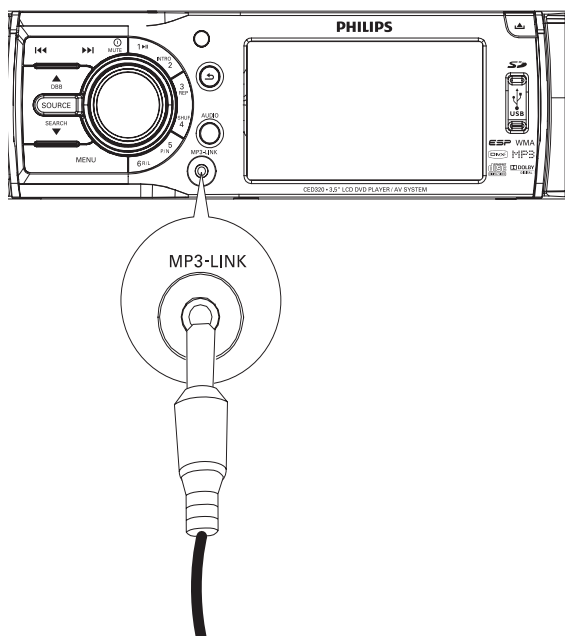
5 Press ↵ to exit.

# 7 Others

## Listen to other devices

You can connect an external sound device to the unit.

- 1 Connect the external sound device to the unit by using a 3.5 mm plug.
- 2 Press **SOURCE** repeatedly until **[AUX]** is displayed.



- 3 Operate the device (refer to the instructions supplied with the device).

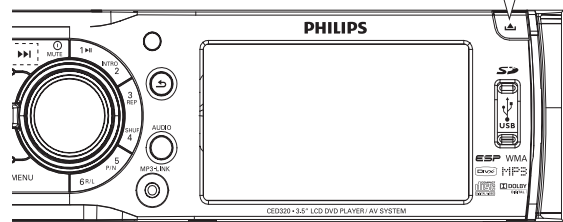
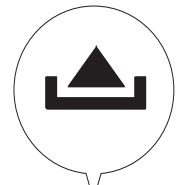
## Detach the front panel

The front panel can be detached and taken with you to deter theft.

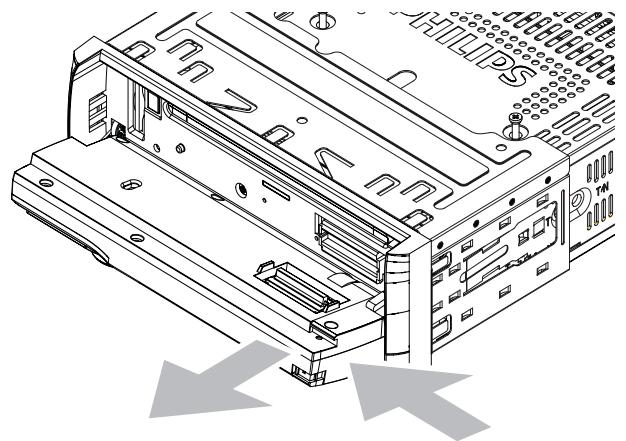
### Note

- Before installing the unit, detach the front panel.

- 1 Press  to release the panel.



- 2 Open the panel, then push the right side panel toward the left side to disengage it from the chassis.

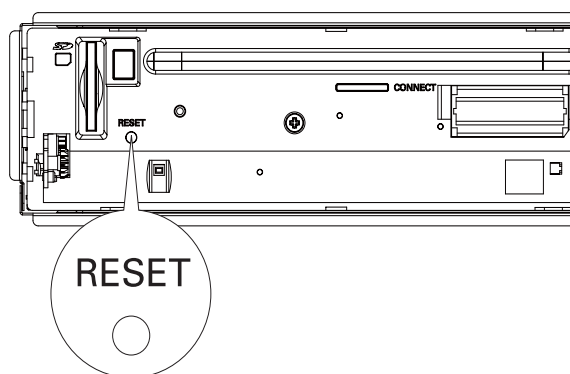


- 3 Take off the panel and store it in the supplied carry case to protect it from dirt or damage.

## Reset

You can reset the unit to its default setting.

- 1 Detach the front panel.
- 2 Press **RESET** by using a ball-point pen or a similar tool.
  - ↳ All settings are erased except clock.



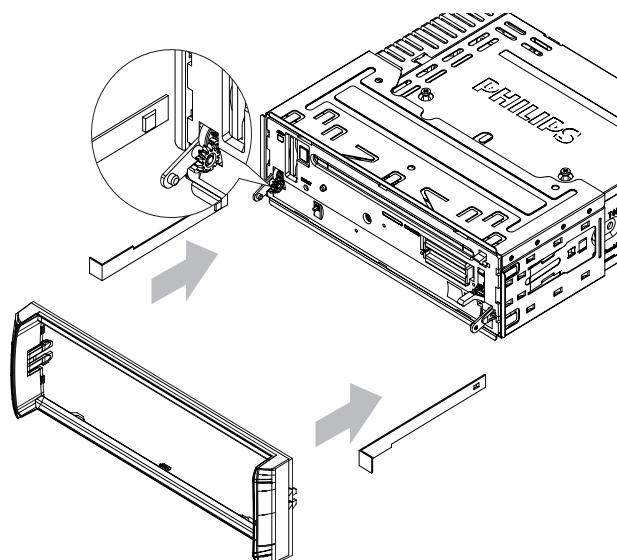
## Default settings

Sound settings		System settings	
Equalizer	User	Source	Tuner, FM1, 87.5
Bass	0	Demo	Off
Middle	0	Blackout	Off
Treble	0	Key color	Blue
Balance	0	Clock	Current time
Fader	0	ESP	45S
LPF	2	Local/Distance	Distance
MPF	2	Beep	On
HPF	2	Stereo/Mono	Stereo
		V-Last/Adj	V-Last
		Volume	20
		Subwoofer	OFF
		Subwoofer volume	10
		Pin code	0000
		Auto scroll	On

## Remove the unit

To repair or replace the unit, remove it from the dashboard.

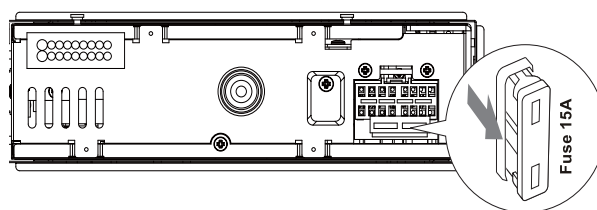
- 1 Detach the front panel.
- 2 Remove the unit with the removal keys.



## Replace fuse

If there is no power, the fuse may be damaged and need to be replaced.

- 1 Detach the front panel and take out the unit.
- 2 Check the electric connection.
- 3 Buy a fuse that matches the voltage of the damaged fuse (15A)
- 4 Replace the fuse.



If the fuse gets damaged immediately after it has been replaced, there may be an internal malfunction. In such case, consult your Philips dealer.

# 8 Product information

## Note

- Product information is subject to change without prior notice.

### General

Power supply	12 V DC (11 V - 16 V), negative ground
Fuse	15 A
Suitable speaker impedance	4 - 8 $\Omega$
Maximum power output	50 W x 4 channels
Continuous power output	24 W x 4 channels (4 $\Omega$ 10% T.H.D.)
Pre-Amp output voltage	2.0 V ( CD play mode; 1 kHz, 0 dB, 10 k $\Omega$ load)
Subwoofer output voltage	2.0 V (CD play mode)
Aux-in level	$\geq$ 500 mV
Dimensions (W x H x D)	188 x 58 x 193 mm
Weight	1.7 kg
Operating temperature range	-20°C ~ 70°C

### Disc player

System	DVD / CD audio / MP3 system
Frequency response	20 Hz - 20k Hz
Signal/noise ratio	>75dB
Total harmonic distortion	Less than 1%
Channel separation	>55dB
Video signal format	NTSC/PAL/AUTO
Video output	1 +/- 0.2V

### Tuner

Frequency range	
- FM	87.5 - 108.0 MHz (100kHz per step in auto search and 50kHz per step in manual search)
- OIRT	65 - 74 MHz 930kHz per step)
Frequency range	522 - 1620 KHz (9kHz per step)
- AM(MW)	
Usable sensitivity	8 uV
- FM	
Usable sensitivity	50 uV
- AM (MW)	

### LCD

Screen size	3.5 inches (16:9)
Display resolution	320 x 234 dots
Contrast ratio	350
Brightness	220 cd/m <sup>2</sup>

### Compatible USB devices:

- USB flash memory (USB 2.0 or USB1.1)
- USB flash players (USB 2.0 or USB1.1)
- memory cards (SD / MMC / SDHC)

### Supported formats:

- USB or memory file format: FAT16, FAT32
- MP3 bit rate (data rate): 32-320 Kbps and variable bit rate
- WMA v9 or earlier
- Directory nesting up to a maximum of 8 levels
- Number of albums/ folders: maximum 99
- Number of tracks/titles: maximum 999
- ID3 tag v2.0 or later
- File name in Unicode UTF8 (maximum length: 128 bytes)

**Unsupported formats:**

- Empty albums: an empty album is an album that does not contain MP3/WMA files, and is not be shown in the display.
- Unsupported file formats are skipped. For example, Word documents (.doc) or MP3 files with extension .dlf are ignored and not played.
- AAC, WAV, PCM audio files
- DRM protected WMA files (.wav, .m4a, .m4p, .mp4, .aac)
- WMA files in Lossless format
- ISO9660, Joliet
- Maximum title number: 512 (depending on file name length)
- Maximum album number: 255
- Supported sampling frequencies: 32 kHz, 44.1kHz, 48 kHz
- Supported Bit-rates: 32~256 (kbps), variable bit rates



# 9 Troubleshooting



## Warning

- Never remove the casing of this apparatus.

To keep the warranty valid, never try to repair the system yourself.

If you encounter problems when using this apparatus, check the following points before requesting service. If the problem remains unsolved, go to the Philips web site ([www.philips.com/welcome](http://www.philips.com/welcome)). When you contact Philips, ensure that the apparatus is nearby and the model number and serial number are available.

### No power

- Car engine has not been started. Start the car engine.
- Connections is incorrect.
- Fuse has been damaged. Replace fuse (see 'Replace fuse' on page 33).

### No sound

- Volume is too low. Adjust volume.
- Speaker connections is incorrect.

### No response to the remote control

- Ensure that the path between the remote control and the unit is clear from obstacles.
- From a close distance, point the remote control directly at the unit.
- Replace the remote control battery.
- The function does not work. Refer to the instructions.

### Disc does not play

- Disc is upside down. Ensure the printed side is upwards.
- Disc is dirty. Clean the disc with a clean, soft, lint-free cloth. Wipe the disc outwards from the center.
- Disc is defective. Try another disc.
- Incompatible disc is used. Try another disc.

- Disc rating exceeds the restrict setting. Change the rating settings to lower one (see 'Adjust video DVD settings' on page 28).
- Disc region code is not compatible with the unit. Use disc with proper region code. (see 'Region code' on page 37)

### Disc is blocked in the disc compartment

- Press and hold ▲ until the disc comes out.

### No image

- Parking brake wire connection is incorrect. Check the parking wiring. (see 'Connect parking brake cable' on page 13)

### Image flashes or distorted

- Video DVD settings do not match with the DVD. Adjust video DVD settings (see 'Adjust video DVD settings' on page 28).
- Video connection is improper. Check the connections (see 'Connect wires: without ISO connectors' on page 11).

### Noise in broadcasts.

- Signals are too weak. Select other stations with stronger signals.
- Check the connection of the car antenna.
- Change broadcast from stereo to mono.

### Preset stations lost.

- Battery cable is not correctly connected. Connect the battery cable to the terminal that is always live.

### Fuse is broken

- The Fuse type is incorrect. Replace it with a 15A fuse (see 'Replace fuse' on page 33).
- Speaker wire or power wire is grounded. Check the connections.

### Display show ERR-12

- USB/SD/MMC data error. Check the USB device or SD/MMC card.

# 10 Glossary

---

## B

### **Bite rate**

The max data transfer through the USB port.

---

## M

### **MMC**

MultimediaCard. A type of memory card with a flash memory.

### **MP3**

A file format with a sound data compression system. MP3 is the abbreviation of Motion Picture Experts Group 1 (or MPEG-1) Audio Layer 3. With the MP3 format, one CD-R or CD-RW can contain about 10 times more data than a regular CD.

---

## R

### **RDS (Radio Data System)**

RDS tuners can automatically tune in stations according to the types of music (or talk) they broadcast. RDS also enables a receiver to display text messages and even graphics (usually call letters and format information) that many FM stations include on a sub-carrier signal within their normal broadcast signal. Some RDS equipped tuners can even override with traffic alerts or emergency broadcasts, during playback of other media - CD MD, or cassette. There are other useful features too, many of which are offered by the growing number of RDS stations.

### **Region code**

A system that allows discs to be played only in the region designated. This unit only plays discs that have compatible region codes. You can find the region code of your unit on the product label. Some discs are compatible with more than one region (or ALL regions.)

## S

### **SD**

Secure Digital. A type of memory card with a flash memory.

### **SDHC**

Secure Digital High Capacity (SDHC) is a type of flash memory card based on the SDA 2.00 specification. The SDA 2.00 specification enables SD cards to reach higher capacities from 4GB to 32GB, and growing.

---

## W

### **WMA (Windows Media Audio)**

An audio format owned by Microsoft, is a part of Microsoft Windows Media technology. Includes Microsoft Digital Rights Management tools, Windows Media Video encoding technology, and Windows Media Audio encoding technology.

