

Register your product and get support at

[www.philips.com/welcome](http://www.philips.com/welcome)

AJH5100



---

EN User manual

---

**PHILIPS**

# Contents

---

<b>1 Important</b>	<b>3</b>
Safety	3

---

<b>2 Your clock radio</b>	<b>4</b>
Introduction	4
What's in the box	4
Overview of the main unit	5

---

<b>3 Get started</b>	<b>6</b>
Connect power	6
Plug and set	6
Select time zone	6
Set clock	6
Replace battery	7

---

<b>4 Main features</b>	<b>7</b>
Listen to FM radio	7
Listen to relaxing music	7
Enjoy mood light	8
Adjust volume	8

---

<b>5 Other features</b>	<b>8</b>
Set alarm timer	8
Set sleep timer	9
Select daylight saving time (DST) mode	9
Adjust display brightness	9

---

<b>6 Product information</b>	<b>10</b>
Specifications	10

---

<b>7 Troubleshooting</b>	<b>10</b>
--------------------------	-----------

---

<b>8 Notice</b>	<b>11</b>
-----------------	-----------

# 1 Important

- Where the plug of the Direct Plug-in Adapter is used as the disconnect device, the disconnect device shall remain readily operable.

---

## Safety

- Read these instructions.
- Follow all instructions.
- Do not block any ventilation openings. Install in accordance with the manufacturer's instructions.
- Do not install near any heat sources such as radiators, heat registers, stoves, or other apparatus (including amplifiers) that produce heat.
- Protect the power cord from being walked on or pinched, particularly at plugs, convenience receptacles, and the point where they exit from the clock radio.
- Only use attachments/accessories specified by the manufacturer.
- Unplug this clock radio during lightning storms or when unused for long periods of time.
- Refer all servicing to qualified service personnel. Servicing is required when the clock radio has been damaged in any way, such as power-supply cord or plug is damaged, liquid has been spilled or objects have fallen into the clock radio, the clock radio has been exposed to rain or moisture, does not operate normally, or has been dropped.
- Keep the battery away from heat, sunshine or fire. Never discard battery in fire.
- Replace the battery only with the same or equivalent type.
- The battery contains chemical substances, so it should be disposed of properly.
- Keep children away from the battery.
- This clock radio shall not be exposed to dripping or splashing.
- Do not place any sources of danger on the clock radio (e.g. liquid filled objects, lighted candles).

# 2 Your clock radio

Congratulations on your purchase, and welcome to Philips! To fully benefit from the support that Philips offers, register your product at [www.philips.com/welcome](http://www.philips.com/welcome).

---

## Introduction

With this clock radio, you can:

- listen to FM radio;
- know the time;
- set one alarm;
- set time zone and daylight saving time;
- wake up to buzzer, radio, or music stored in the clock radio; and
- enjoy mood light and music.

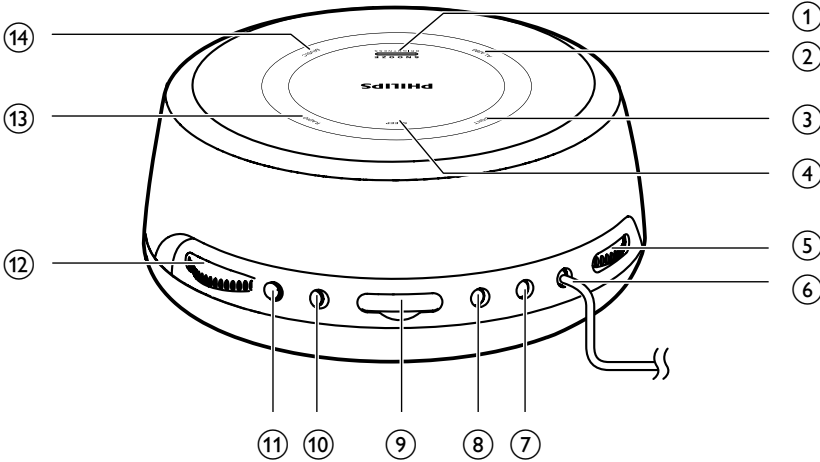
---

## What's in the box

Check and identify the contents of your package:

- Main unit (with battery)
- Quick start guide
- Safety sheet

## Overview of the main unit



### ① SNOOZE/BRIGHTNESS

- Snooze alarm.
- Adjust display brightness.

### ② ALARM

- Turn alarm on/off.

### ③ LIGHT

- Turn the mood light on/off.
- Dim the brightness of the mood light.

### ④ SLEEP

- Set sleep timer.

### ⑤ VOL

- Adjust volume.

### ⑥ Power cord & Antenna

### ⑦ LIGHT•COLOR

- Select a color of the mood light.

### ⑧ SET TIME

- Set time.

### ⑨ BATTERY

- Replace battery.

### ⑩ 12/24H ·DST

- Select 12/24 hour format.
- Activate or deactivate daylight saving time (DST) function.

### ⑪ TIME ZONE

- Select time zone.

### ⑫ + TUNING -

- Tune to FM radio stations.
- Adjust settings.

### ⑬ RADIO

- Turn FM radio on/off.

### ⑭ MUSIC

- Activate or deactivate music.

# 3 Get started

Always follow the instructions in this chapter in sequence.

---

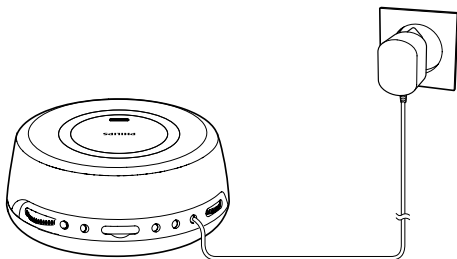
## Connect power

### ! Caution

- Risk of product damage! Make sure that the power voltage corresponds to the voltage printed on the back or underside of the clock radio.
- Risk of electric shock! When you unplug the AC adapter, always pull the plug from the socket. Never pull the cord.

### ☰ Note

- The type plate is located on the bottom of the clock radio.



---

## Plug and set

Time has been preset at the factory. When power is connected, the set time is displayed automatically.

The built-in lithium battery can maintain clock setting despite power interruption.

---

## Select time zone

If the hour digits of the preset time do not match your local time, you need adjust the time zone settings.

- 1 In standby mode, press **TIME ZONE**.  
↳ The current time zone number blinks on the display panel.
- 2 Press **TIME ZONE** repeatedly to select time zone (-1 to +12 adjustable).

For Europe:

Western European Time (WET)	+0
Central European Time (CET)	+1 (Default)
Eastern European Time (EET)	+2
Moscow Standard Time (MST)	+3

---

## Set clock

In standby mode, you can set clock manually.

- 1 Press and hold **SET TIME** for 2 seconds.  
↳ The hour digits blink.
- 2 Rotate **+TUNING -** to adjust hour.
- 3 Press **SET TIME** to confirm.  
↳ The minute digits blink.
- 4 Repeat steps 2-3 to set the minute and 12/24 hour format.

### \* Tip


- You can also press **12/24H DST** repeatedly to select 12/24 hour format.

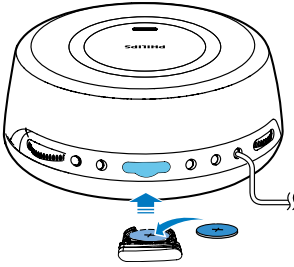
---

## Replace battery

### ≡ Note

- You can only use AC power as power supply. The pre-installed lithium CR2032 battery can only back up clock and alarm settings.
- When power is disconnected, the display backlight is off.

When the low battery indicator  is displayed, replace the battery as illustrated.



---

## 4 Main features

---

### Listen to FM radio

#### ≡ Note

- Position the antenna as far as possible from TV, VCR, or other radiation sources.
- For optimal reception, fully extend and adjust the position of the antenna.

- 1 Press **RADIO** to turn on FM radio.
  - To turn FM radio off, press **RADIO** again.
- 2 Rotate **+ TUNING -** to tune to an FM radio station.

---

### Listen to relaxing music

With this clock radio, you can get relaxed by listening to realistic nature sounds and soft music.

- 1 In standby mode, press **MUSIC** to activate sounds stored in the clock radio.
  - To stop playing the music, press **MUSIC** again.
- 2 Rotate **+ TUNING -** to select a sound. The 15 sounds are listed below:

Sound sequence	Sound name
1	Rain
2	Thunderstorm
3	Stream
4	Ocean
5	Night forest
6	Wild fire
7	Wind
8	Wind chime
9	Train
10	Space
11	Heartbeat
12	White noise

13	Sleep music 1
14	Sleep music 2
15	Sleep music 3

## Enjoy mood light

This clock radio provides you with changeable mood light. You can adjust the color of the light to match your mood.

### To turn the mood light on or off:

**1** In standby mode, press **LIGHT** to turn the mood light on.

- You can press **LIGHT** twice to dim the brightness of the mood light.

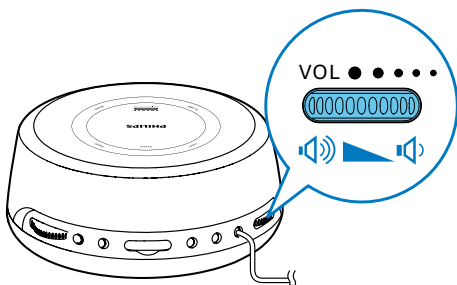
**2** To turn the mood light off, press **LIGHT** again.

### To select a color of the mood light:

Press **LIGHT**•**COLOR** repeatedly to select a color.

## Adjust volume

Rotate **VOL** to adjust volume.



# 5 Other features

## Set alarm timer

### Note

- Make sure that you have set the clock correctly.

- In standby mode, press and hold **ALARM** for 2 seconds to activate alarm setting.  
↳ The hour digits blink.
- Rotate **+ TUNING -** to adjust hour.
- Press **ALARM** to confirm.  
↳ The minute digits blink.
- Repeat steps 2-3 to set the minute.
- Repeat steps 2-3 to select an alarm source.
  - TUNE** and **FM** icon: select your last listened FM channel as alarm sound.



- BUZ** and **(••)** icon: select buzzer as alarm sound.



- Nx (1-5)** and **♪** icon: select one from the five prestored sounds as alarm sound.



- Repeat steps 2-3 to set the alarm volume.  
↳ The alarm time and icon are displayed.



The five prestored sounds are listed below:

- |    |              |
|----|--------------|
| n1 | Bell         |
| n2 | Jungle       |
| n3 | Bird         |
| n4 | Wake music 1 |
| n5 | Wake music 2 |

---

## Activate/deactivate the alarm timer

Press **ALARM** repeatedly.

↳ The alarm icon appears if the alarm timer is on and disappears if it is off.

---

## Snooze alarm

When alarm sounds, press **SNOOZE**.

↳ The alarm snoozes and repeats ringing nine minutes later.

---

## Set sleep timer

This clock radio can switch to standby mode automatically after a preset period.

Press **SLEEP** repeatedly to select the sleep timer period (in minutes).

↳ When the sleep timer is activated, **zZ** appears.

To deactivate the sleep timer, press **SLEEP** repeatedly until **[OFF]** (off) appears.

15 → 30 → 60 → 90 → 120  
↑                      |  
OFF

---

## Select daylight saving time (DST) mode

For countries with daylight saving time (DST), the clock radio offers you DST option to adjust summer time.

In standby mode, press and hold **12/24H · DST** for two seconds.

↳ The clock advances by one hour.

### ≡ Note

- To exit DST mode, repeat the above operation.

---

## Adjust display brightness

Press **BRIGHTNESS** repeatedly to select different brightness levels: high, mid, and low.

# 6 Product information

## Note

- Product information is subject to change without prior notice.

## Specifications

### Amplifier

Rated Output Power	0.6W RMS
--------------------	----------

### Speaker

Speaker Impedance	8 ohm
-------------------	-------

Speaker Driver	1.5"
----------------	------

### Tuner

Tuning Range	FM: 87.5 - 108 MHz
--------------	--------------------

Tuning grid	FM: 50 KHz
-------------	------------

#### Sensitivity

- Mono, 26dB S/N Ratio	FM: <22 dBf
------------------------	-------------

- Stereo, 46dB S/N Ratio	FM: <51.5 dBf
--------------------------	---------------

Search Selectivity	FM: <28 dBu
--------------------	-------------

Total Harmonic Distortion	FM: <5%
---------------------------	---------

Signal to Noise Ratio	FM: >50 dBA
-----------------------	-------------

## General information

AC Power	100-240V, 50/60 Hz
----------	-----------------------

Operation Power	3 W
-----------------	-----

#### Consumption

Standby Power	<1 W
---------------	------

#### Consumption

#### Dimensions

- Main Unit (W x H x D)	144 x 144 x 65 mm
-------------------------	-------------------

#### Weight

- With Packing	0.73 kg
----------------	---------

- Main Unit	0.45 kg
-------------	---------

# 7 Troubleshooting



## Warning

- Never remove the casing of this clock radio.

To keep the warranty valid, never try to repair the clock radio yourself.

If you encounter problems when using this clock radio, check the following points before requesting service. If the problem remains unsolved, go to the Philips web site ([www.philips.com/support](http://www.philips.com/support)). When you contact Philips, ensure that the clock radio is nearby and the model number and serial number are available.

### No power

- Ensure that the AC power plug of the clock radio is connected properly.
- Ensure that there is power at the AC outlet.

### No response from the clock radio

- Disconnect and reconnect the AC power plug, then turn on the clock radio again.

### Poor radio reception

- Increase the distance between the unit and your TV or VCR.
- Fully extend the FM antenna.

### Alarm does not work

- Set the clock/alarm correctly.

### Clock/alarm setting erased

- Power has been interrupted or the power plug has been disconnected.
- Reset the clock/alarm.

# 8 Notice



This product complies with the radio interference requirements of the European Community.

Any changes or modifications made to this device that are not expressly approved by WOOX Innovations may void the user's authority to operate the equipment.



Your product is designed and manufactured with high quality materials and components, which can be recycled and reused.



When this crossed-out wheeled bin symbol is attached to a product it means that the product is covered by the European Directive 2002/96/EC.

Please inform yourself about the local separate collection system for electrical and electronic products.

Please act according to your local rules and do not dispose of your old products with your normal household waste. Correct disposal of your old product helps to prevent potential negative consequences for the environment and human health.



Your product contains batteries covered by the European Directive 2006/66/EC, which cannot be disposed with normal household waste. Please inform yourself about the local rules on separate collection of batteries

because correct disposal helps to prevent negative consequences for the environmental and human health.

## Environmental information

All unnecessary packaging has been omitted. We have tried to make the packaging easy to separate into three materials: cardboard (box), polystyrene foam (buffer) and polyethylene (bags, protective foam sheet.)

Your system consists of materials which can be recycled and reused if disassembled by a specialized company. Please observe the local regulations regarding the disposal of packaging materials, exhausted batteries and old equipment.



Specifications are subject to change without notice.  
2014 © WOOX Innovations Limited. All rights reserved.  
Philips and the Philips' Shield Emblem are registered  
trademarks of Koninklijke Philips N.V. and are used by WOOX  
Innovations Limited under license from Koninklijke Philips N.V.

AJH5100\_12\_UM\_V2.0

