

Register your product and get support at

www.philips.com/welcome

DS7700/78



User Manual

PHILIPS

Contents

1	Important	2
	Safety	2
	Notice	2

2	Your Docking Speaker	4
	Introduction	4
	What's in the box	4
	Overview of the main unit	4

3	Get started	5
	Prepare the docking speaker	5
	Connect power	5
	Turn on	6

4	Play	6
	Play from iPod/iPhone/iPad	6
	Play from an external device	7
	Adjust volume level	7

5	Product information	8
	Specifications	8

6	Troubleshooting	8
----------	------------------------	----------

1 Important

Safety

Important Safety Instructions

- Heed all warnings.
- Follow all instructions.
- Do not use this apparatus near water.
- Clean only with dry cloth.
- Do not block any ventilation openings. Install in accordance with the manufacturer's instructions.
- Do not install near any heat sources such as radiators, heat registers, stoves, or other apparatus (including amplifiers) that produce heat.
- Protect the power cord from being walked on or pinched, particularly at plugs, convenience receptacles, and the point where they exit from the apparatus.
- Only use attachments/accessories specified by the manufacturer.
- Unplug this apparatus during lightning storms or when unused for long periods of time.
- Refer all servicing to qualified service personnel. Servicing is required when the apparatus has been damaged in any way, such as power-supply cord or plug is damaged, liquid has been spilled or objects have fallen into the apparatus, the apparatus has been exposed to rain or moisture, does not operate normally, or has been dropped.
- Apparatus shall not be exposed to dripping or splashing.
- Do not place any sources of danger on the apparatus (e.g. liquid filled objects, lighted candles).
- Where the MAINS plug or an appliance coupler is used as the disconnect device, the disconnect device shall remain readily operable.



Warning

- Never remove the casing of this apparatus.
- Never lubricate any part of this apparatus.
- Never place this apparatus on other electrical equipment.
- Keep this apparatus away from direct sunlight, naked flames or heat.
- Make sure that you always have easy access to the power cord, plug, or adaptor to disconnect the apparatus from the power.

Notice

Any changes or modifications made to this device that are not expressly approved by WOOX Innovations may void the user's authority to operate the equipment.

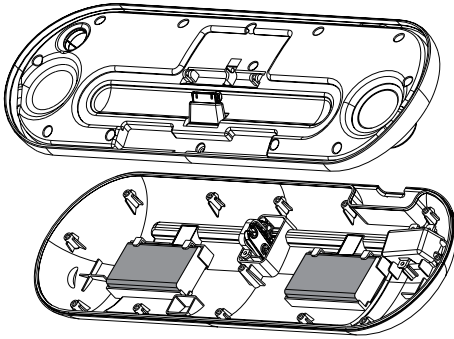
Disposal of your old product

Your product is designed and manufactured with high quality materials and components, which can be recycled and reused. Never dispose of your product with other household waste. Please inform yourself about the local rules on the separate collection of electrical and electronic products and batteries. The correct disposal of these products helps prevent potentially negative consequences on the environment and human health.

Your product contains batteries, which cannot be disposed of with normal household waste. Please inform yourself about the local rules on separate collection of batteries. The correct disposal of batteries helps prevent potentially negative consequences on the environment and human health.

Please visit www.recycle.philips.com for additional information on a recycling center in your area.

Always bring your product to a professional to remove the built-in battery.



Apple is not responsible for the operation of this device or its compliance with safety and regulatory standards.

iPod is a trademark of Apple Inc., registered in the U.S. and other countries.

Note

- The type plate is located on the bottom of the apparatus.

Environmental information

All unnecessary packaging has been omitted. We have tried to make the packaging easy to separate into three materials: cardboard (box), polystyrene foam (buffer) and polyethylene (bags, protective foam sheet.)

Your system consists of materials which can be recycled and reused if disassembled by a specialized company. Please observe the local regulations regarding the disposal of packaging materials, exhausted batteries and old equipment.



The making of unauthorized copies of copy-protected material, including computer programs, files, broadcasts and sound recordings, may be an infringement of copyrights and constitute a criminal offence. This equipment should not be used for such purposes.



"Made for iPod", "Works with iPhone" and "Made for iPad" mean that an electronic accessory has been designed to connect specifically to iPod, iPhone and iPad and has been certified by the developer to meet Apple performance standards.

2 Your Docking Speaker

Congratulations on your purchase, and welcome to Philips! To fully benefit from the support that Philips offers, register your product at www.philips.com/welcome.

Introduction

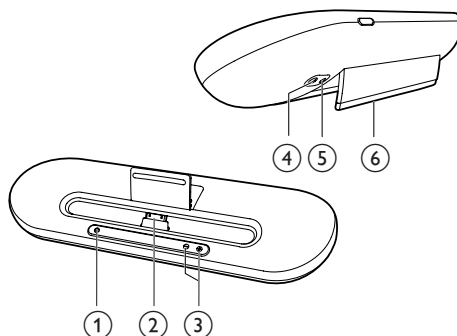
With this docking speaker, you can enjoy audio from the iPod/iPhone and other audio devices.

What's in the box

Check and identify the contents of your package:

- Main unit
- 1 x AC adaptor
- 1 x MP3 link cable
- Quick start guide

Overview of the main unit



- ① **Bluetooth**
 - Press to pair with your Bluetooth device.
- ② **Dock for iPod/iPhone/iPad**
- ③ **+ / -**
 - Adjust volume.
- ④ **AUX IN**
 - Socket for an external audio device.
- ⑤ **Power supply socket**
- ⑥ **Back lid**

3 Get started

! Caution

- Use of controls, adjustments, or performance of procedures other than herein may result in hazardous radiation exposure or other unsafe operation.

Always follow the instructions in this chapter in sequence.

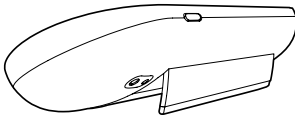
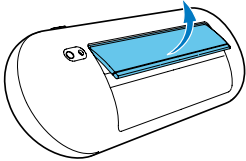
If you contact Philips, you will be asked for the model and serial number of this apparatus. The model number and serial number are on the bottom of the apparatus. Write the numbers here:

Model No. _____

Serial No. _____

Prepare the docking speaker

- Open the back lid and flip it over as a stand.



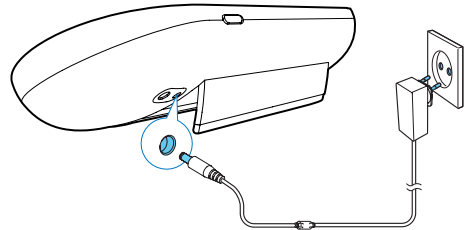
Connect power

! Caution

- Risk of product damage! Make sure that the power supply voltage corresponds to the voltage printed on the back of the unit.
- Risk of electric shock! When you unplug the AC adaptor, always pull the plug from the socket. Never pull the cord.
- Before connecting the AC adaptor; Make sure that you have completed all other connections.

Connect the AC power adaptor to:

- the power supply socket on the back of the docking speaker.
- the wall power outlet.



Built-in Battery

The docking speaker can also operate on built-in rechargeable battery.

Battery power	LED indicator
Low	Flashing fast
Medium	Flashing slow
Full	Steadily on

To recharge the built-in battery:

- Connect the unit to the power supply.



Note

- Use only the supplied AC adapter to charge the battery.

Turn on

- Switch ϕ on the docking speaker to the ON position.
 - ↳ The LED indicator turns on.

4 Play

Play from iPod/iPhone/iPad

You can enjoy audio from iPod/iPhone/iPad through this docking speaker.

Compatible iPod/iPhone/iPad

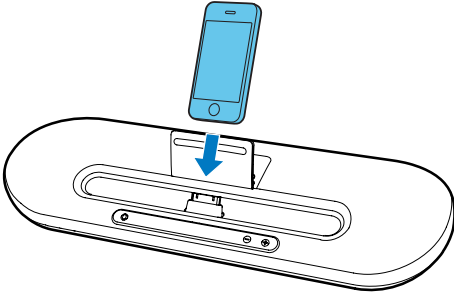
The docking speaker supports the following iPod/iPhone/iPad models.

Made for :

- iPad 2
- iPad
- iPhone 4S
- iPhone 4
- iPhone 3GS
- iPhone 3G
- iPhone
- iPod classic
- iPod nano (1st, 2nd, 3rd, 4th, 5th, and 6th generation)
- iPod touch(1st, 2nd, 3rd, and 4th generation)
- iPod mini

Load the iPod/iPhone/iPad

- Insert your iPod/iPhone/iPad into the dock.



To remove the iPod/iPhone/iPad

- Pull your iPod/iPhone/iPad out of the dock.

Listen to the iPod/iPhone/iPad



Note

- Make sure that the iPod/iPhone/iPad is loaded correctly.
- Start music play in your iPod/iPhone/iPad.
 - ↳ You can hear music from this docking speaker.

Charge the iPod/iPhone/iPad

When the docking speaker is connected to wall power outlet, the docked iPod/iPhone/iPad begins to charge.



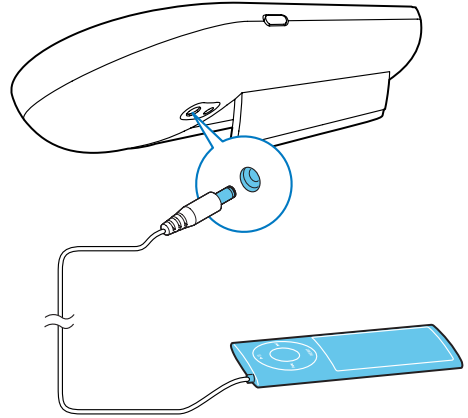
Tip

- You can also charge your iPod/iPhone/iPad through the built-in battery.

Play from an external device

You can also listen to an external audio device through this docking speaker:

- 1 Connect the supplied Aux-in link cable to:
 - the **AUX IN** jack (3.5mm) on the back of the unit.
 - the headphone jack on an external device.
- 2 Start to play on the device (see the device user manual).



Adjust volume level

- During play, press **VOL +/-** to increase or decrease the volume level.

5 Product information

Note

- Product information is subject to change without prior notice.

Specifications

Amplifier

Rated Output Power	14 W RMS
Signal to Noise Ratio	65 dB
Aux-in Link	0.8 V RMS 10 kohm

General information

AC power (power adaptor)	OH-1048b1003500U-CCC/ -U;OH-1048E1003500U (Philips) OH-1048B1003500U-IR/ OH-1048B1003500U-BZ Input: 100-240V, 50/60Hz, 1.5A; Output: 10V \approx 3.5 A;
Operation Power Consumption	<35 W
Eco Standby Power Consumption	< 1 w
Dimensions - Main Unit (W x H x D)	310 x 110 x 40mm
Weight- Main Unit	0.76 kg

6 Troubleshooting



Warning

- Never remove the casing of this apparatus.

To keep the warranty valid, never try to repair the system yourself.

If you encounter problems when using this apparatus, check the following points before requesting service. If the problem remains unsolved, go to the Philips web site (www.philips.com/welcome). When you contact Philips, ensure that the apparatus is nearby and the model number and serial number are available.

No power

- Make sure that the docking speaker is fully charged.
- Make sure that the AC power plug of the unit is connected properly.
- Make sure that there is power at the AC outlet.

No sound

- Adjust the volume.

No response from the unit

- Disconnect and reconnect the AC power plug, then turn on the docking speaker again.



Specifications are subject to change without notice

2014 © WOOX Innovations Limited.

All rights reserved.

Philips and the Philips' Shield Emblem are registered trademarks of Koninklijke Philips N.V. and are used by WOOX Innovations Limited under license from Koninklijke Philips N.V.

