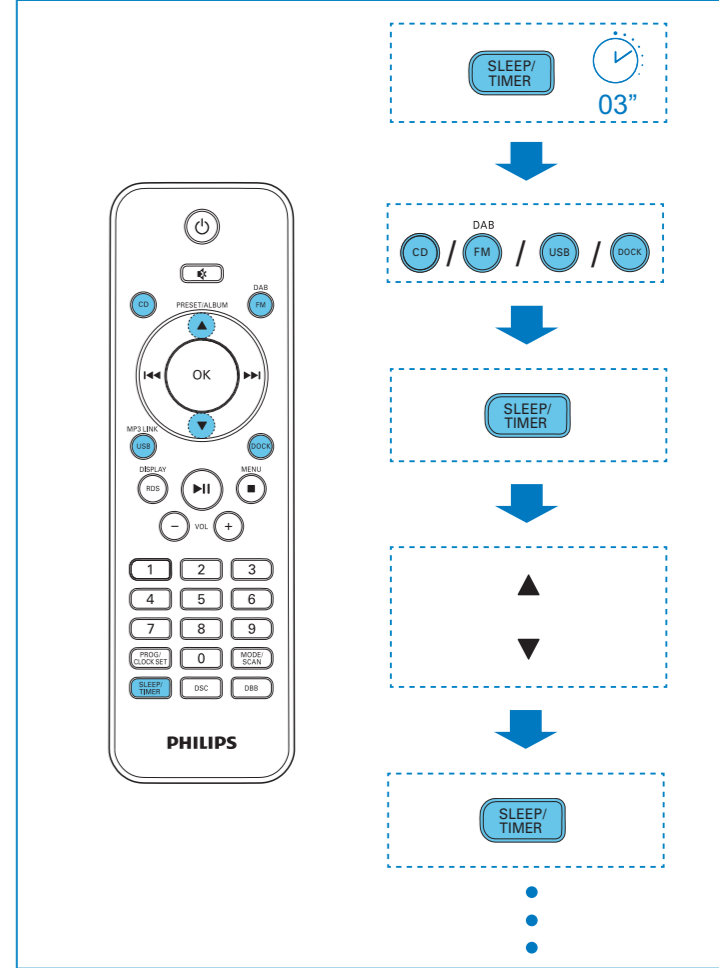
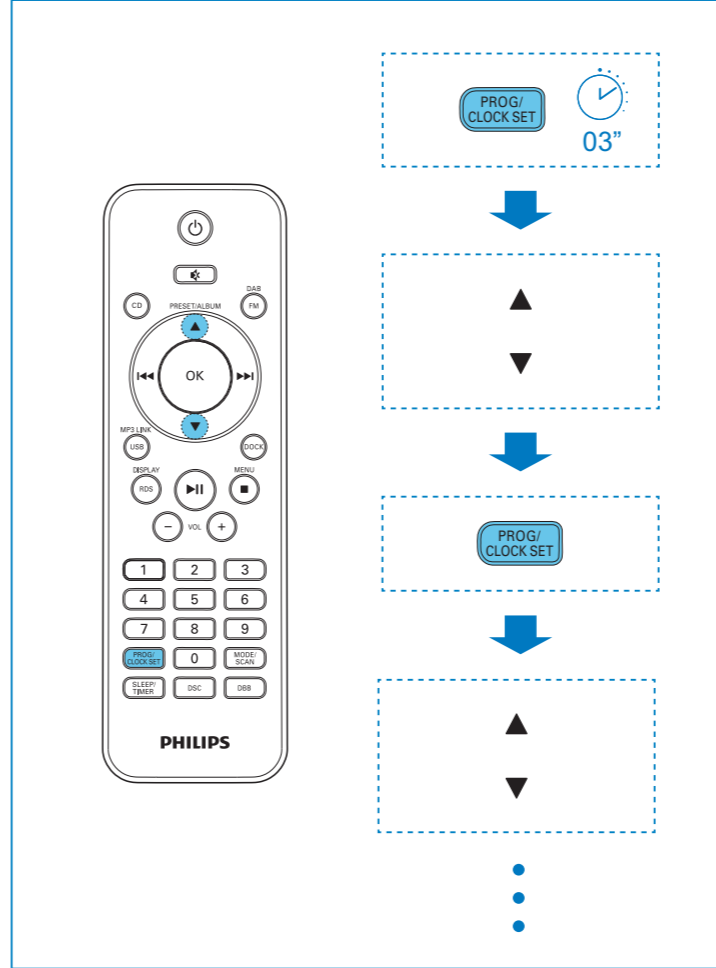
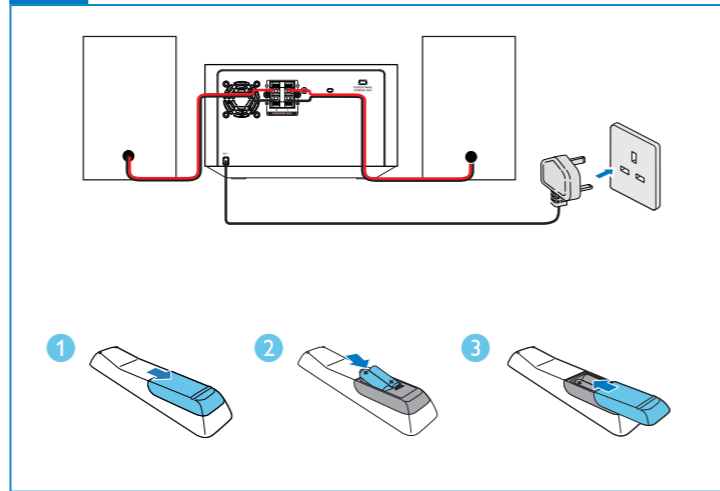
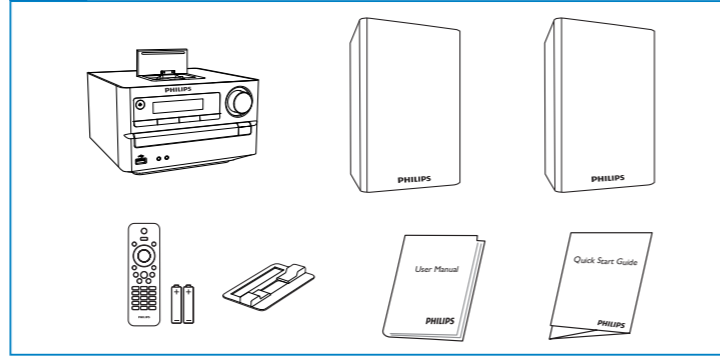
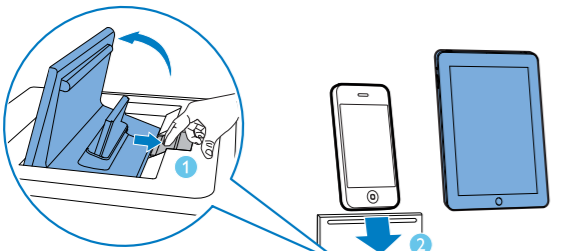




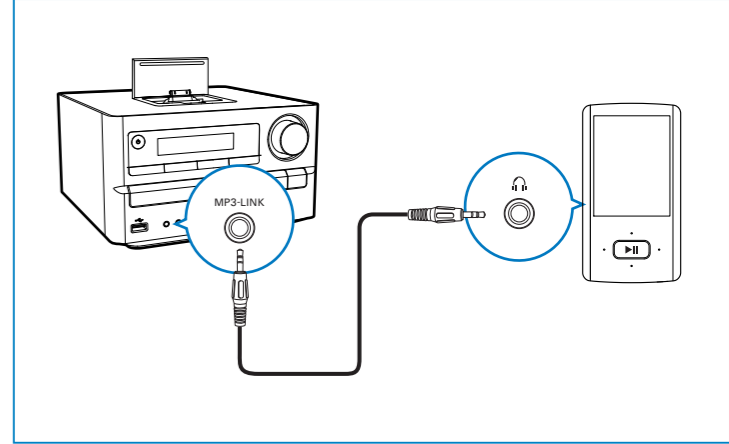
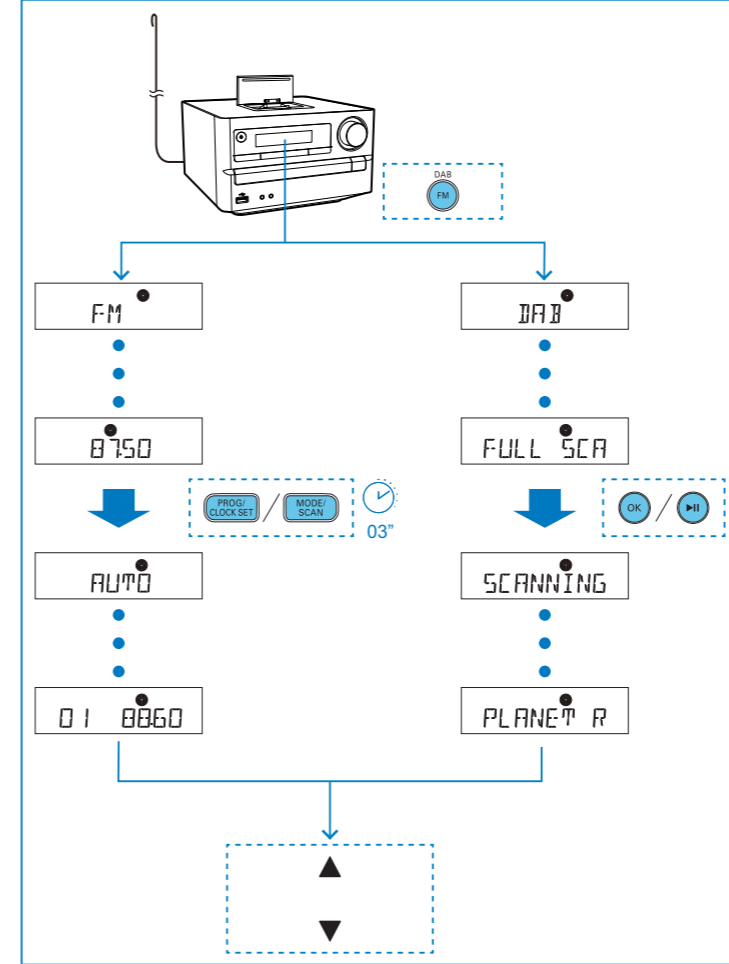
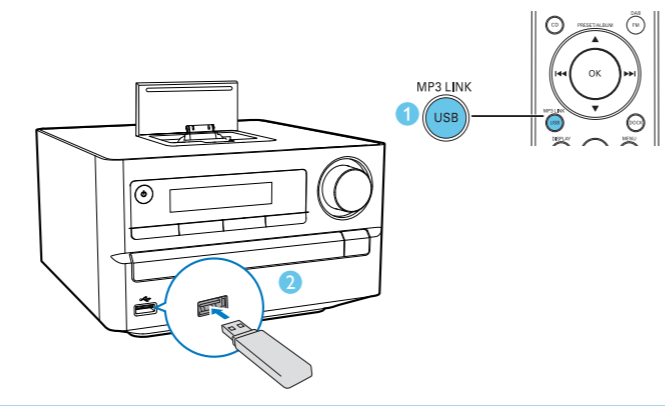
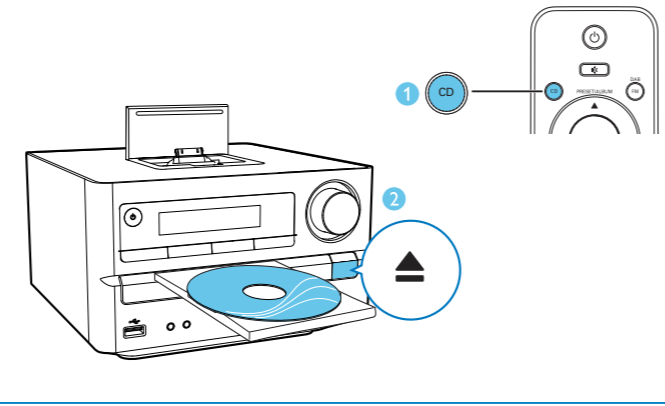
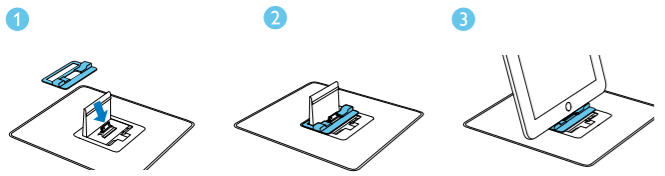
## Quick start guide

# PHILIPS





Use the bumper to keep your iPad 2 stable if it is not in a case.



2012 © Koninklijke Philips N.V.  
All rights reserved.  
DCB2020\_05\_QSG\_V2.0

