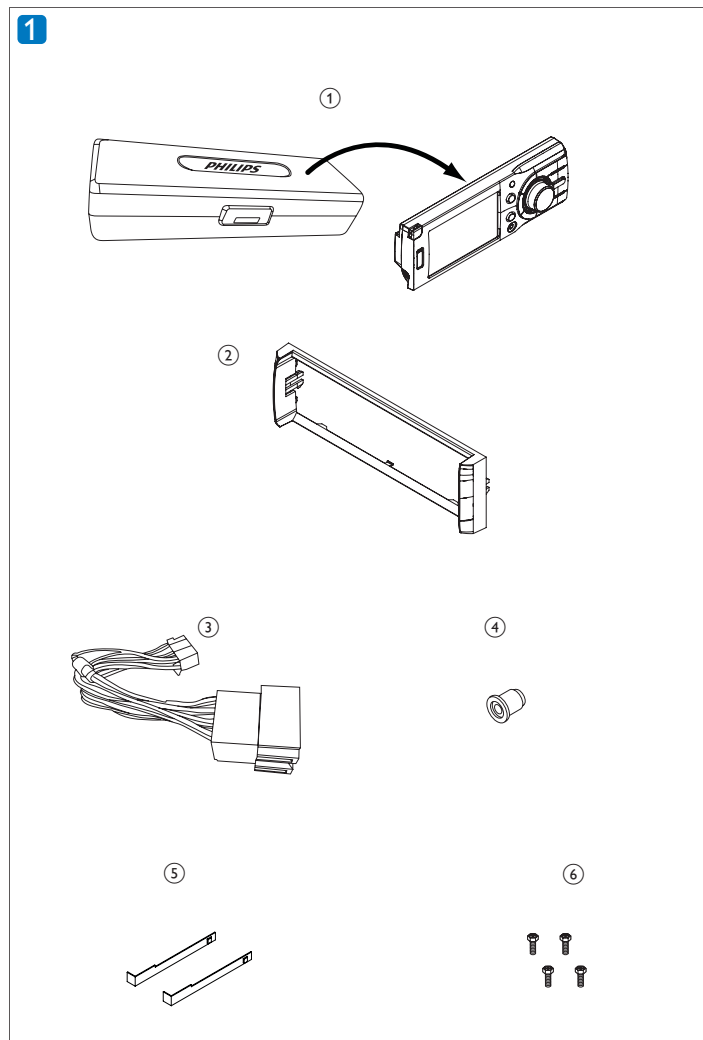




ENG Quick Start Guide

PHILIPS

All rights reserved.
© 2008 Koninklijke Philips Electronics N.V.



English

Overview of parts 1

These are the supplied parts needed to connect and install this unit.

- 1 Carry case with front panel stored inside
- 2 Trim plate
- 3 Standard connector
- 4 Rubber cushion
- 5 Removal keys x 2 pcs
- 6 Screw x 4 pcs

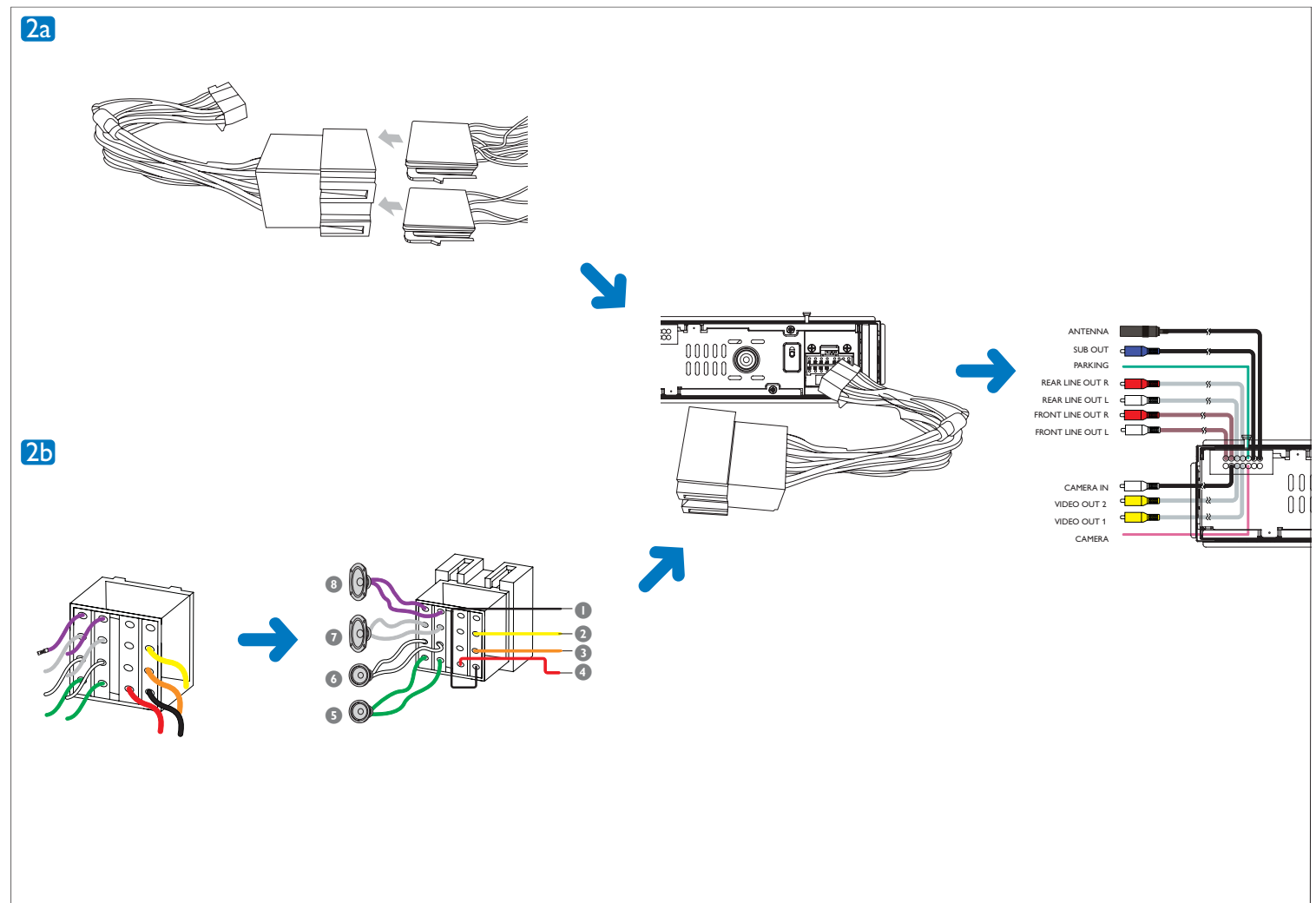
Connect wires: ISO connectors 2a

- 1 Pull out the ISO connectors from the car dashboard and connect them to the bigger end of the supplied standard connector.
- 2 Connect the other end of supplied standard connector to the unit.
- 3 Do the other connections, if applicable.

Connect wires: without ISO connectors 2b

- 1 Cut off the bigger end of the supplied standard connector.
- 2 Check the car's wiring carefully, then connect them to the standard connector.

Connector	Connect to
1 Black wire	A metal surface of the car First connect the black ground (earth) lead, then connect the yellow and red power supply leads.
2 Yellow wire	The +12V car battery which is live at all times.
3 Orange/white wire	Illumination switch
4 Red wire	The +12V power terminal which is live in the accessory (ACC) position of the ignition switch If there is no accessory position, connect to the +12V car battery terminal that is always live. Be sure to connect the black ground (earth) lead to a metal surface of the car first.
5 Green and green/black wires	Left speaker (Rear)
6 White and white/black wires	Left speaker (Front)
7 Gray and gray/black wires	Right speaker (Front)
8 Purple and purple/black wires	Right speaker (Rear)
3	Connect the supplied standard connector to the unit.
4	Do the other connections, if applicable.



Connect parking brake cable 3a

Connect reverse driving cable 3b

Attach the front panel 4

- 1 Attach the trim plate.
- 2 Insert the left side of the panel in the chassis until it is correctly engaged.
- 3 Press the right side of the panel until the mechanism locks it into place.
- 4 Close the front panel.

Mount in the dashboard 5

- Note**
- For proper operation of the DVD player, the chassis must be mounted within 20 degree horizontal. Ensure that the unit is mounted within this limitation.

- 1 If the car does not have an on-board drive or navigation computer, disconnect the negative terminal of the car battery.
 - If you disconnect the car battery in a car that has an on-board drive or navigation computer, the computer may lose its memory.
 - If the car battery is not disconnected, to avoid short-circuit, ensure that bare wires do not touch each other.
- 2 Ensure that car dashboard opening is within these measurements:
- 3 Remove the two transport screws on the top of the unit.
- 4 Remove the mounting sleeve with the removal keys.
- 5 Install the sleeve into the dashboard and bend the tabs outward to fix the sleeve.
 - If the unit is not fixed by sleeve but by the supplied screws, skip this step.

- 6 Place the rubber cushion over the end of the bolt.
- 7 Slide the unit into the dashboard until a click sound is heard.
- 8 Reconnect the negative terminal of the car battery.

Detach the front panel 6

The front panel can be detached and taken with you to deter theft.

- Note**
- Before installing the unit, detach the front panel.

- 1 Press ▲ to release the panel.
- 2 Open the panel, then push the right side panel toward the left side to disengage it from the chassis.
- 3 Take off the panel and store it in the supplied carry case to protect it from dirt or damage.

Turn on

- 1 Press the ⓪ knob to turn on the unit.
 - The unit plays the last listened program: DVD, Tuner, USB or SD/MMC Card (if there is USB device or SD/MMC card connected).
 - To turn off the unit, press the ⓪ knob for more than 2 seconds.
 - When the unit is idle for over 5 minutes, it goes to standby mode and displays screen saver.

Set clock

- 1 Press MENU.
- 2 Press the navigation buttons to select [SETTINGS], then press SEL on the remote control.
- 3 Select [SYSTEM], then press ►.

- 4 Select [TIME MODE], then press ►.
 - The time mode options are displayed:
 - [12 HOUR MODE]
 - [24 HOUR MODE]
 - Select a mode, then press SEL.
- 6 Press ◀◀ to return to previous menu and select [TIME ADJUST], then press ►.
- 7 Press ▲ or ▼ to enter clock, then press SEL.

Tune to a radio station

- 1 Press SOURCE to select Tuner.
- 2 Press ▲ or ▼ to select band.
 - [FM] or [AM] is displayed.
- 3 Press ◀◀ or ►► to tune to a radio station manually.
 - To search for radio station automatically, press ◀◀ or ►► for 3 seconds.

Play discs

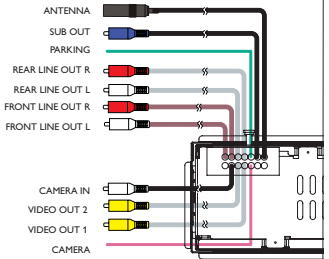
- 1 Press ▲ to open the front panel.
- 2 Insert the disc into the disc slot with label side facing up.
 - Play resumes from the point where it was last stopped.
- 3 To remove the disc, press the ▲ button.
 - When the disc is ejected, the unit switches to TUNER mode automatically.
- 4 Close the front panel.
 - After a few seconds, the screen turns on.
 - For video discs, if a menu appears; press ▲ or ▼ to select an item, then press ⓪ to start play.
 - For discs that contain MP3s, WMAs, or JPEGs, press ▲ or ▼ to select a folder/track/picture, then press ⓪ to start play.

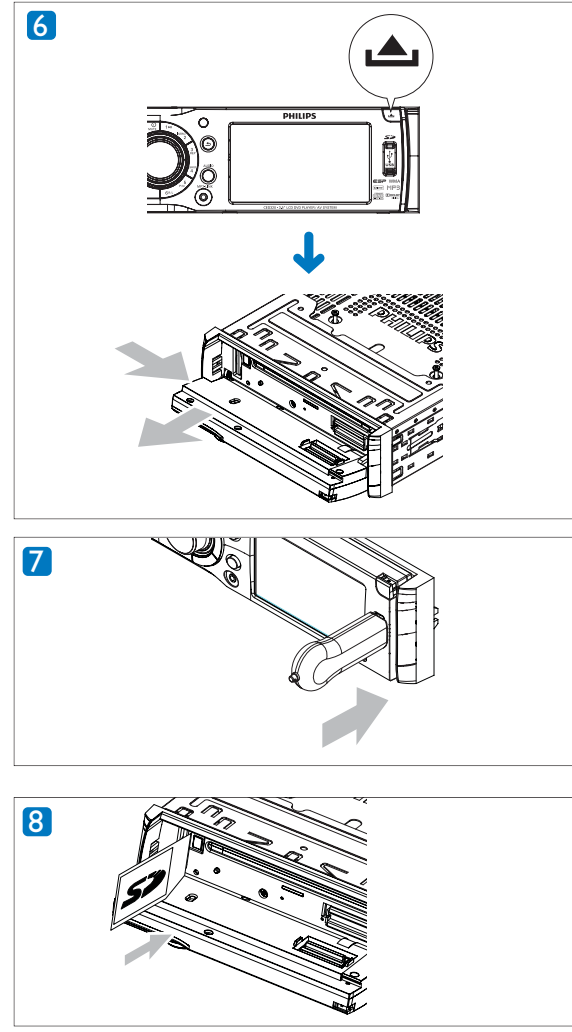
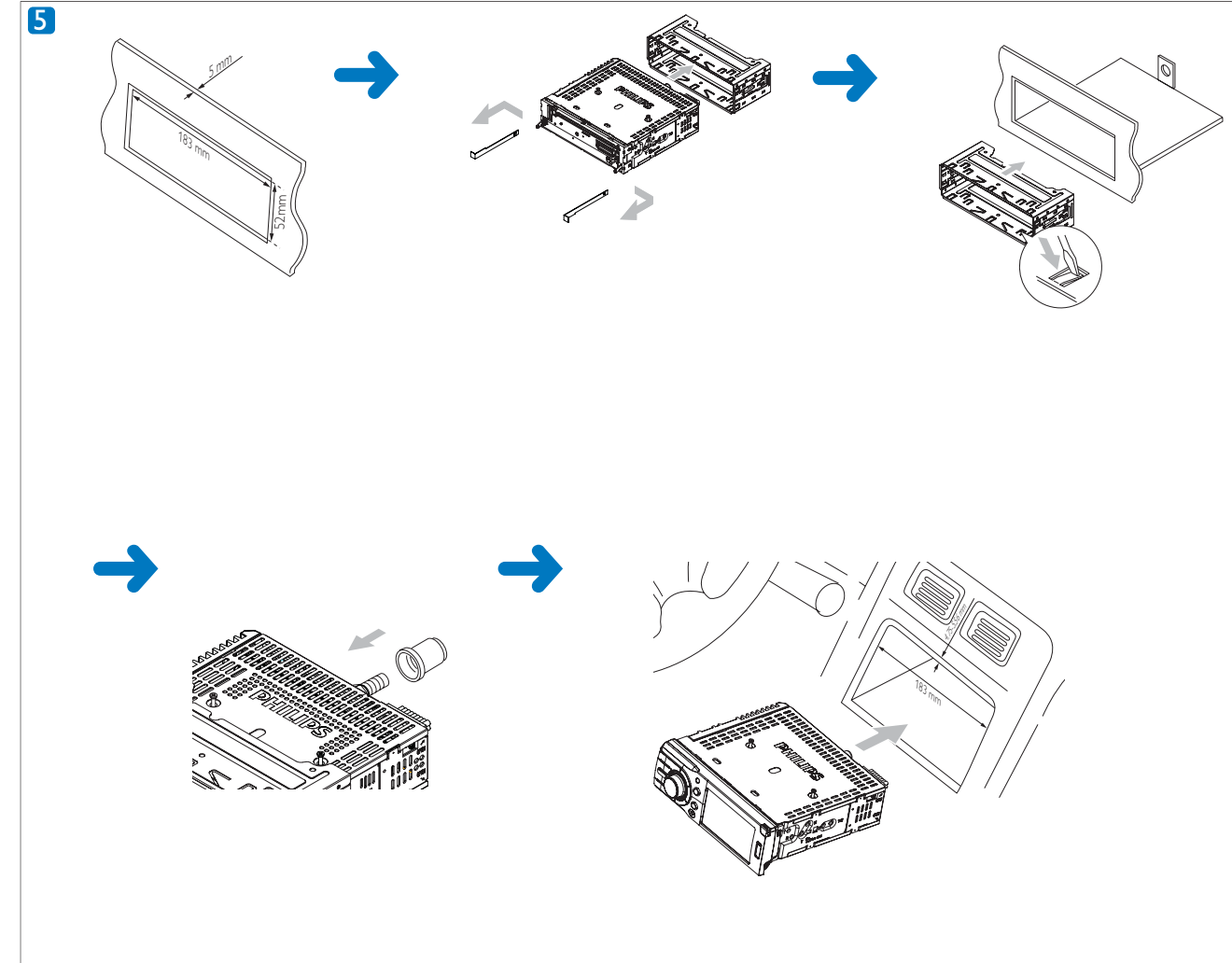
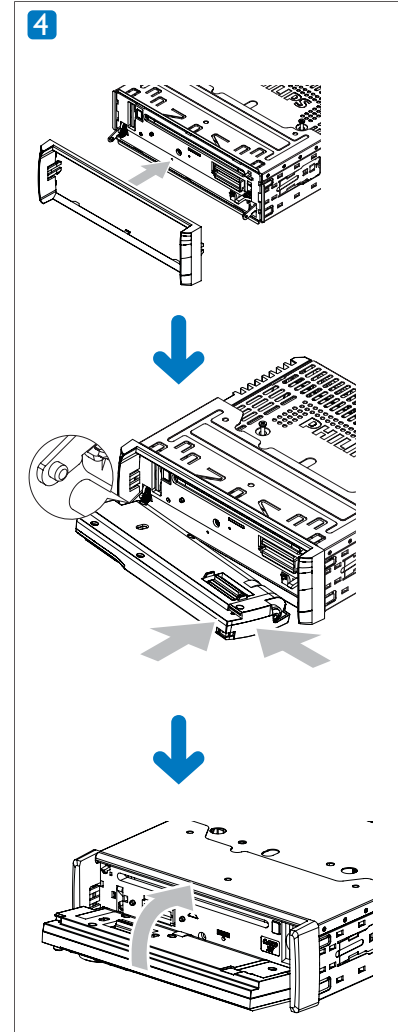
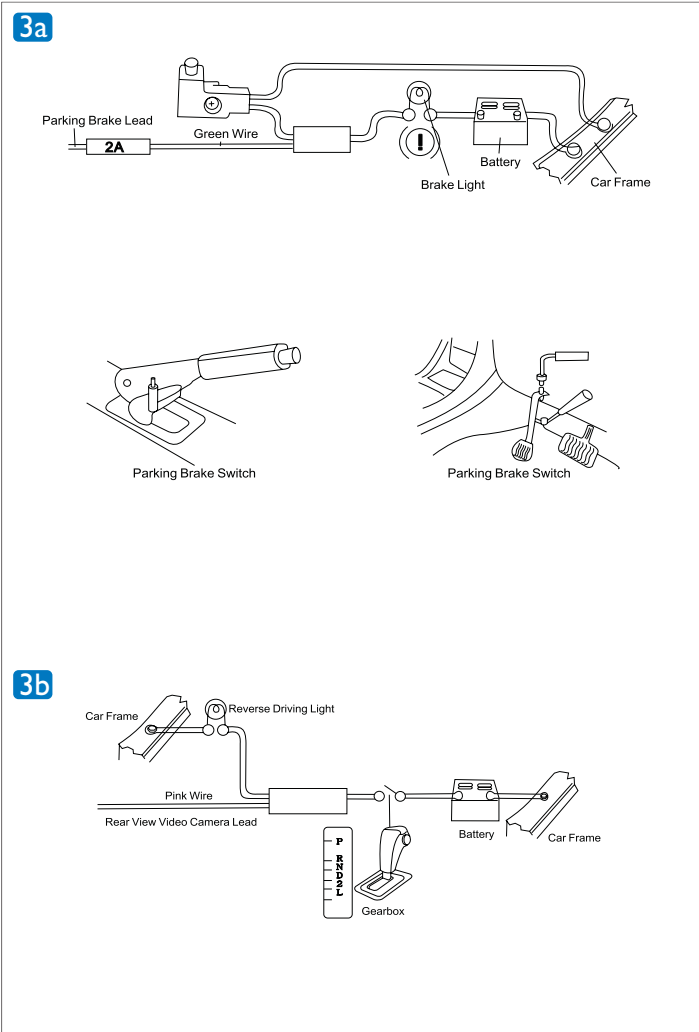
Insert USB device 7

- 1 Slide down the USB socket cover.
- 2 Insert the USB device into the USB socket.
 - The unit starts playing from the USB device automatically.

Insert SD/MMC card 8

- 1 Press ▲ to open the front panel.
- 2 Insert the SD or MMC card into the card slot.
 - The unit starts playing from the SD/MMC card automatically.





English

Overview of parts 1

These are the supplied parts needed to connect and install this unit.

- 1 Carry case with front panel stored inside
- 2 Trim plate
- 3 Standard connector
- 4 Rubber cushion
- 5 Removal keys x 2 pcs
- 6 Screw x 4 pcs

Connect wires: ISO connectors 2a

- 1 Pull out the ISO connectors from the car dashboard and connect them to the bigger end of the supplied standard connector.
- 2 Connect the other end of supplied standard connector to the unit.
- 3 Do the other connections, if applicable.

Connect wires: without ISO connectors 2b

- 1 Cut off the bigger end of the supplied standard connector.
- 2 Check the car's wiring carefully, then connect them to the standard connector.

Connector	Connect to
1 Black wire	A metal surface of the car First connect the black ground (earth) lead, then connect the yellow and red power supply leads.
2 Yellow wire	The +12V car battery which is live at all times.
3 Orange/white wire	Illumination switch
4 Red wire	The +12V power terminal which is live in the accessory (ACC) position of the ignition switch If there is no accessory position, connect to the +12V car battery terminal that is always live. Be sure to connect the black ground (earth) lead to a metal surface of the car first.
5 Green and green/black wires	Left speaker (Rear)
6 White and white/black wires	Left speaker (Front)
7 Gray and gray/black wires	Right speaker (Front)
8 Purple and purple/black wires	Right speaker (Rear)
3 Standard connector	Connect the supplied standard connector to the unit.
4 Rubber cushion	Do the other connections, if applicable.

Connect parking brake cable 3a

Connect reverse driving cable 3b

Attach the front panel 4

- 1 Attach the trim plate.
- 2 Insert the left side of the panel in the chassis until it is correctly engaged.
- 3 Press the right side of the panel until the mechanism locks it into place.
- 4 Close the front panel.

Mount in the dashboard 5

Note

- For proper operation of the DVD player, the chassis must be mounted within 20 degree horizontal. Ensure that the unit is mounted within this limitation.

- 1 If the car does not have an on-board drive or navigation computer, disconnect the negative terminal of the car battery.
 - If you disconnect the car battery in a car that has an on-board drive or navigation computer, the computer may lose its memory.
 - If the car battery is not disconnected, to avoid short-circuit, ensure that bare wires do not touch each other.
- 2 Ensure that car dashboard opening is within these measurements:
- 3 Remove the two transport screws on the top of the unit.
- 4 Remove the mounting sleeve with the removal keys.
- 5 Install the sleeve into the dashboard and bend the tabs outward to fix the sleeve.
 - If the unit is not fixed by sleeve but by the supplied screws, skip this step.

- 6 Place the rubber cushion over the end of the bolt.
- 7 Slide the unit into the dashboard until a click sound is heard.
- 8 Reconnect the negative terminal of the car battery.

Detach the front panel 6

The front panel can be detached and taken with you to deter theft.

Note

- Before installing the unit, detach the front panel.

- 1 Press to release the panel.
- 2 Open the panel, then push the right side panel toward the left side to disengage it from the chassis.
- 3 Take off the panel and store it in the supplied carry case to protect it from dirt or damage.

Turn on

- 1 Press the knob to turn on the unit.
 - The unit plays the last listened program: DVD, Tuner, USB or SD/MMC Card (if there is USB device or SD/MMC card connected).
 - To turn off the unit, press the knob for more than 2 seconds.
 - When the unit is idle for over 5 minutes, it goes to standby mode and displays screen saver.

Set clock

- 1 Press MENU.
- 2 Press the navigation buttons to select [SETTINGS], then press SEL on the remote control.
- 3 Select [SYSTEM], then press .

- 4 Select [TIME MODE], then press .
 - The time mode options are displayed:
 - [12 HOUR MODE]
 - [24 HOUR MODE]

- 5 Select a mode, then press SEL.
- 6 Press to return to previous menu and select [TIME ADJUST], then press .
- 7 Press or to enter clock, then press SEL.

Tune to a radio station

- 1 Press SOURCE to select Tuner.
- 2 Press or to select band.
 - [FM] or [AM] is displayed.
- 3 Press or to tune to a radio station manually.
 - To search for radio station automatically, press or for 3 seconds.

Play discs

- 1 Press to open the front panel.
- 2 Insert the disc into the disc slot with label side facing up.
 - Play resumes from the point where it was last stopped.
- 3 To remove the disc, press the button.
 - When the disc is ejected, the unit switches to TUNER mode automatically.
- 4 Close the front panel.
 - After a few seconds, the screen turns on.
 - For video discs, if a menu appears: press or to select an item, then press to start play.
 - For discs that contain MP3s, WMAs, or JPEGs, press or to select a folder/track/picture, then press to start play.

Insert USB device 7

- 1 Slide down the USB socket cover.
- 2 Insert the USB device into the USB socket.
 - The unit starts playing from the USB device automatically.

Insert SD/MMC card 8

- 1 Press to open the front panel.
- 2 Insert the SD or MMC card into the card slot.
 - The unit starts playing from the SD/MMC card automatically.