

MP3-CD Soundmachine

AZ **2558**



EXPANIUM

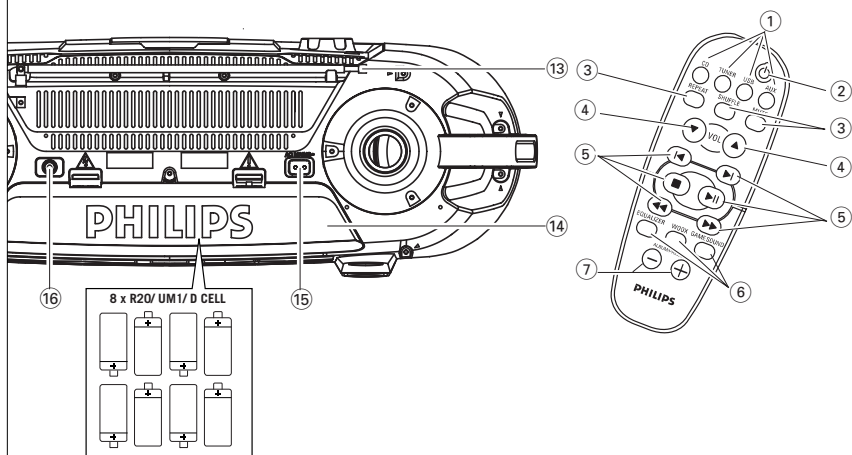
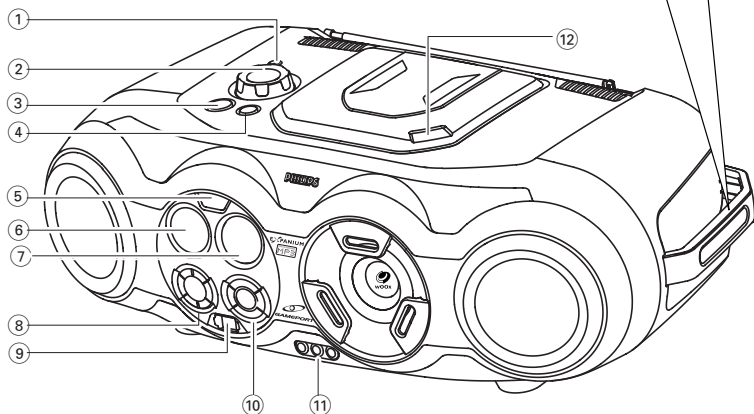
PHILIPS

HEAVY !

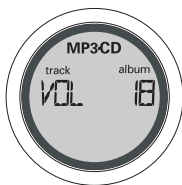
*Take care of your CD Soundmachine.
Grip both handles when you carry or
lift the set.*

LOURD !

*Soin de prise de votre Soundmachine CD
Saisissez les deux poignées quand vous
portez ou déplacez l'appareil.*



2



7



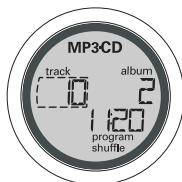
3



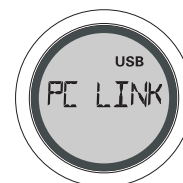
8



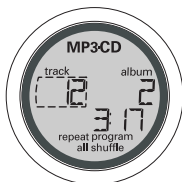
4



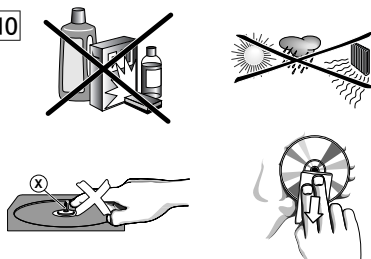
9



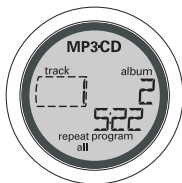
5



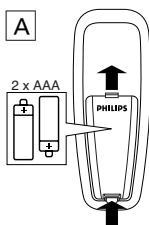
10



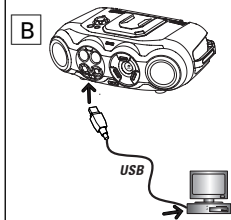
6



A



B



Important notes for users in the U.K.

Mains plug

This apparatus is fitted with an approved 13 Amp plug. To change a fuse in this type of plug proceed as follows:

1. Remove fuse cover and fuse.
2. Fix new fuse which should be a BS1362 5 Amp, A.S.T.A. or BSI approved type.
3. Refit the fuse cover.

If the fitted plug is not suitable for your socket outlets, it should be cut off and an appropriate plug fitted in its place. If the mains plug contains a fuse, this should have a value of 5 Amp. If a plug without a fuse is used, the fuse at the distribution board should not be greater than 5 Amp.

Note: *The severed plug must be disposed of to avoid a possible shock hazard should it be inserted into a 13 Amp socket elsewhere.*

How to connect a plug

The wires in the mains lead are coloured with the following code: blue = neutral (N), brown = live (L). As these colours may not correspond with the colour markings identifying the terminals in your plug, proceed as follows:

- Connect the blue wire to the terminal marked N or coloured black.
- Connect the brown wire to the terminal marked L or coloured red.
- Do not connect either wire to the earth terminal in the plug, marked E (or e) or coloured green (or green and yellow).

Before replacing the plug cover, make certain that the cord grip is clamped over the sheath of the lead - not simply over the two wires.

Copyright in the U.K.

Recording and playback of material may require consent. See Copyright Act 1956 and The Performer's Protection Acts 1958 to 1972.

English

CAUTION

Use of controls or adjustments or performance of procedures other than herein may result in hazardous radiation exposure or other unsafe operation.

This set complies with the radio interference requirements of the European Union.

IMPORTANT :

Modifications not authorized by the manufacturer may void users authority to operate this device.

Français

ATTENTION

L'emploi de commandes ou de réglages, ainsi toute utilisation ou procédure autres que décrits dans ce mode d'emploi, peut entraîner une exposition dangereuse aux radiations ou encore un fonctionnement non conforme aux normes de sécurité.

Cet appareil est conforme aux normes de la Communauté Européenne en matière d'interférences radio.

IMPORTANT!

Toute modification effectuée sans l'accord préalable de fabricant peut annuler toute possibilité pour le consommateur d'utiliser cet appareil.

Environmental information

We have done our best to reduce the packaging and make it easy to separate into 3 materials: cardboard, expandable polystyrene, polyethylene.

Your set consists of materials which can be recycled if disassembled by a specialized company. Please observe the local regulations regarding the disposal of packaging, exhausted batteries and old equipment.

Informations relatives à l'environnement

Nous avons fait au mieux pour réduire l'emballage et le rendre facile à séparer en trois matériaux : carton, polystyrène expansé, polyéthylène.

Les matériaux qui entrent dans la composition de cet appareil peuvent être recyclés ou récupérés par une entreprise spécialisée. Veuillez respecter la législation en vigueur dans votre pays relative à la mise au rebut des emballages, des piles usagées et des équipements inutilisables.

Información medioambiental

El embalaje está compuesto de tres materiales fácilmente separables: cartón (la caja), poliestireno expandible (amortiguación) y polietileno (bolsas, plancha protectora de espuma).

El aparato está fabricado con materiales que se pueden reciclar si son desmontados por una empresa especializada. Observe las normas locales concernientes a la eliminación de estos materiales, pilas usadas y equipos desechables.

Uameltinformationen

Alles überflüssige Verpackungsmaterial wurde vermieden. Wir haben unser möglichstes getan, damit die Verpackung leicht in drei Monomaterialien aufteilbar ist: Wellpappe (Schachtel), expandierbares Polystyrol (Puffer) und Polyäthylen (Beutel, Schutzschaum).

Ihr Gerät besteht aus Materialien, die von darauf spezialisierten Betrieben wiederverwertet werden können. Bitte halten Sie sich beim Entsorgen von Verpackungsmaterial, erschöpften Batterien und alter Ausrüstung an örtliche Bestimmungen.

SUPPLIED ACCESSORIES

- remote control
- USB cable
- video cable
- CD-ROM USB PC LINK installers
- AC mains lead

TOP AND FRONT PANEL (See 1)

- ① - 3.5 mm stereo headphone jack.

Note: The speakers will be muted when headphones are connected to the set.

- ② **VOLUME** - adjust volume level or equalizer level (BASS/ MID/ HIGH)
- ③ **STANDBY ON** - switch the set on/ off.
- ④ **SOURCE** - selects sound source for functions: **CD/ TUNER/ USB PC LINK/ GAME •AUX**
- ⑤ **IR SENSOR** -infrared sensor for remote control
- ⑥ **LCD Display** - shows the status of the set
- ⑦ **[dB]**: - display to indicate bass power.
- ⑧ **ALBUM /PRESET - , + :**

MP3 only :- select previous / next album.
TUNER :-select a previous / next preset station.

SEARCH , **MP3-CD / CD :**

- searches backward or forward ;
- skips to the beginning of a current track/ previous/ later track.

USB PC LINK -skips to the beginning of a previous/ later track.

TUNER :- tunes to radio stations

▶||- starts or pauses MP3-CD / CD / USB PC LINK playback

- - stop MP3-CD / CD / USB PC LINK playback;
- erases a MP3-CD / CD program.

MODE :

- selects different MP3-CD play modes: e.g. **repeat** or **shuffle** order.

- ⑨ **USB** - connect the supplied USB cable here to the USB port of your computer
- ⑩ **GAMESOUND** - select sound effects: **BLAST/ PUNCH/ SPEED/ NORMAL** in **GAME •AUX** mode
WOOX - selects special bass enhancement on/ off
EQUALIZER -selects bass, mid and high frequencies.

CONTROL**PROG**

MP3-CD / CD :-programs tracks and reviews the programmed songs;

TUNER :- programs radio stations.

BAND / DISPLAY

BAND :- selects waveband

DISPLAY: - display MP3-CD functions

- ⑪ **AUDIO IN (LEFT / RIGHT)** -LINE-IN jack for external audio appliance.

VIDEO IN - to keep video plug in place

- ⑫ **OPEN•CLOSE** – press to open/ close CD door

BACK PANEL (See 1)

- ⑬ **Telescopic antenna** - improved FM reception

- ⑭ **Battery compartment** - for 8 batteries, type R-20, UM-1 or D-cells

- ⑮ **AC MAINS** - inlet for power cord

- ⑯ **VIDEO OUT**- connect to the **VIDEO IN** jack on a TV or VCR for viewing or recording.

REMOTE CONTROL (See 1)

- ① **CD** - selects MP3-CD / CD sound source

TUNER - selects tuner source / wavebands

USB - selects **USB PC LINK**

AUX - selects **GAME •AUX**

- ② -switches the set to standby / on if set operating on AC power. (Switches set off only if battery powered)

- ③ **REPEAT** -repeat all tracks in **USB PC LINK** source or selects the repeat modes in **CD** source

SHUFFLE -plays MP3-CD / CD tracks in random order in **CD / USB PC LINK** source

MUTE - interrupts/ resumes sound

- ④ **VOL** , -- adjust volume level or adjust equalizer level (**BASS/ MID/ HIGH**)

- ⑤ , -select previous/ next track in MP3-CD / CD / USB PC LINK playback

■ - stop MP3-CD / CD / USB PC LINK playback;

▶|| - starts or pauses MP3-CD / CD / USB PC LINK playback

◀◀ / ▶▶ -searches backwards/ forwards within a MP3-CD / CD track.

TUNER: -tunes to radio stations

POWER SUPPLY

- ⑥ **EQUALIZER** -- selects bass, mid and high frequencies

WOOX -- select special bass enhancement on/ off
GAMESOUND - select sound effects: **BLAST/ PUNCH/ SPEED/ NORMAL** in game mode

- ⑦ **ALBUM /PRESET - , + :**

MP3 only :- select previous / next album.

TUNER :-select a previous / next preset station.

POWER SUPPLY

Whenever convenient, use the power supply to conserve battery life. Make sure you remove the power cord from the set and wall jack before inserting batteries.

Batteries (not included) (See 1)

- Insert 8 batteries, type **R-20, UM-1** or **D-cells**, (preferably alkaline) with the correct polarity.

Remote control (See A)

- Insert 2 batteries, type **AAA, R03** or **UM4** (preferably alkaline).

Incorrect use of batteries can cause electrolyte leakage and will corrode the compartment or cause the batteries to burst.

- Do not mix battery types: e.g. alkaline with carbon zinc. Only use batteries of the same type for the set.
- When inserting new batteries, do not try to mix old batteries with the new ones.
- **Batteries contain chemical substances, so they should be disposed of properly.**

Using AC Power

1. Check if the AC power supply, as shown on the **type plate located on the bottom of the set**, corresponds to your local power supply. If it does not, consult your dealer or service center.
2. If your set is equipped with a voltage selector, adjust the selector so that it matches with the local power supply.
3. Connect the power cord to the wall jack and the set is now ready for use.
4. To disconnect the power supply, unplug the set from the wall jack.

For users in the U.K., please follow the boxed instructions 'Important notes...' on this sheet.

BASIC FUNCTIONS**POWER-SAVING AUTOMATIC STANDBY**

As a power-saving feature, the system automatically switches to standby 15 minutes after MP3-CD / CD has reached the end and no control is operated.

The type plate is located on the bottom of the set.

BASIC FUNCTIONS**Switching on and off and selecting function**

1. Press **STANDBY ON** on the set to switch on.
2. Press **SOURCE** once or more to select your desired function: **CD, TUNER, USB PC LINK** or **GAME•AUX**.
3. Press **STANDBY ON** to switch off the set.

Note : The tone, sound settings, tuner presets and the volume level (up to a maximum volume level of VOL 20) will be retained in the set's memory.

Adjusting volume and sound (See 2)

1. Adjust the volume with the **VOLUME** control.
 → Display shows the volume level and a number from 0-32.
2. **w00x**
 To enhance the bass response: press **w00x** once or more to switch on / off.
 → **w00x**-key backlight lights up when **w00x** is turned on.

Notes:

- **w00x** can be used when you play **TUNER, CD, USB PC LINK** and **GAME•AUX** source.

- Some discs might be recorded in high modulation, which causes a distortion at high volume. If this occurs, deactivate **w00x** or reduce the volume.

3. EQUALIZER

To adjust the bass, mid and high frequencies press **EQUALIZER** once or more, then rotate **VOLUME** within 3 seconds to adjust each level.

→Display briefly shows **BASS** , **MID** , or **HIGH** level (**-5 to +5**) or .

Note:

1. **EQUALIZER** can be used during **TUNER, CD, USB PC LINK** and **GAME•AUX** source.

MP3-CD / CD PLAYER

Programming track numbers

Program in the stop position to select and store your CD tracks in the desired sequence. If you like, store any track more than once. Up to 20 tracks can be stored in the memory.

1. Press **SEARCH** ◀◀ or ▶▶ on the set to select your desired track number.(on the remote control ◀◀ or ▶▶)

MP3-CD mode only:

First press **ALBUM/ PRESET** – or + once or more to find your album, then press **SEARCH** ◀◀ or ▶▶. (on the remote control ◀◀ or ▶▶)

2. Press **PROG**.
 - Display: **program** and the selected track number **PROG** .appears briefly.
 - Display : **SELECT TRACK** if no track selected for programming.
3. Repeat steps **1-2** to select and store all desired tracks.
 - Display: **FULL** if you try to program more than 20 tracks.
4. To start playback of your disc program, press ▶▶.

Note: During normal playback, you can press **PROG** to add a current track to your program list.

Reviewing the program

In stop position, press and hold down **PROG** for a while until the display shows all your stored track numbers in sequence.

→ Display **NO PROG** if no tracks programmed.

Erasing a program

You can erase the program by:

- pressing ■ twice;
 - **CLEAR** displayed briefly, and **program** disappears.
- pressing **STANDBY ON** ⏻
- selecting another sound source
- opening the CD door.

GAMESOUND / USB PC LINK

GAMESOUND (See [8])

PLAYING WITH GAMESOUND:

1. Press **SOURCE** once or more on the set to select the **GAME•AUX** function (**AUX** on the remote control)
 - Display scrolls : **GAME PORT**
2. Connect your console to the cinches on the front of the set **AUDIO IN (LEFT / RIGHT)** and **VIDEO IN**.
3. Press **GAMESOUND** once or more to select your game sound option.
 - Display briefly shows **BLAST** , **PUNCH** , **SPEED** or **NORMAL**.

Connecting other equipment to your system

Use the supplied video cable to connect the **VIDEO OUT** terminal on the back of the set to **VIDEO IN** on a TV or VCR for viewing or recording.

USB PC LINK

Quick Setup Guide

PC system requirements

- USB port with Windows 98 SE / ME/ 2000/ XP
- Intel Pentium MMXX200 or higher
- CD-ROM drive

Installing MusicMatch software

1. Use the supplied USB cable to connect the set to the USB port on your computer. (See [B])
2. Press **SOURCE** (**USB** on the remote control) once or more to select **USB PC LINK**.
3. Turn on your PC then insert the supplied USB PC LINK installer disc in the PC's CD-ROM drive. This application software can also be downloaded from <http://www.audio.philips.com>.

IMPORTANT!

Please use this customized MusicMatch software for your USB PC Link application. Remember to un-install all other MusicMatch jukebox software first from your PC system (if available).

DIGITAL TUNER

2. To prevent sound interference the bass control options operate exclusively. You cannot combine the bass from **EQUALIZER** with **w00x**

4. GAMESOUND

To adjust the game sound, press **GAMESOUND** once or more to select your option.

→ Display briefly shows **BLAST**, **PUNCH**, **SPEED** or **NORMAL**.

Note: **GAMESOUND** is only available when you play in **GAME•AUX** source.

How to MUTE the sound

1. Press **MUTE** on the remote control to interrupt sound reproduction instantly.
→ Playback continues without sound and the display flashes **MUTE**.
2. To reactivate sound reproduction you can:
 - press **MUTE** again;
 - adjust the volume controls;
 - change to another source.

DIGITAL TUNER (See 3)

Tuning to stations

1. Press **STANDBY ON** \odot to on, then press **SOURCE** once or more to select **TUNER** (or press **TUNER** once on the remote control).
→ Display: shows **TUNER** briefly followed by waveband, frequency, and preset station number if already stored.
2. Press **BAND / DISPLAY** once or more to select your waveband (**TUNER** on the remote control)
3. **Tuning to stations:** you can tune to your stations manually or by automatic search tuning: Press down on **◀◀** or **▶▶** (**◀◀** or **▶▶** on the remote control) and release button when the frequency in the display starts running.
→ The radio automatically tunes to a station of sufficient reception. Display shows **SEARCH** during automatic tuning.
4. Repeat step 3 if necessary until you find the desired station.
 - To tune to a weak station, press **◀◀** or **▶▶** (**◀◀** or **▶▶** on the remote control) briefly and repeatedly

DIGITAL TUNER

until you have found optimal reception.

To improve radio reception:

- For **FM**, extend, incline and turn the telescopic antenna. Reduce its length if the signal is too strong.
- For **MW**, the set uses a built-in antenna. Direct this antenna by turning the whole set.

Programming tuner stations:

You can store up to a total of 30 radio stations in the memory, manually or automatically (Autostore).

Autostore

Automatic programming will start from preset 1. The set will only program stations which are not in the memory already.

1. Press **ALBUM / PRESET-** or **+** once or more to select the preset number.
2. Press **PROG** for 4 seconds or more to activate auto store programming.
→ Display: **AUTOSTORE** is shown and available stations are programmed in order of waveband **FM**, followed by **MW**, preset 1 station will then be played after all stations are stored automatically.

Manual programming

1. Tune to your desired station (see **Tuning to stations**).
2. Press **PROG** to activate programming.
→ Display: **program** flashes.
3. Press **ALBUM / PRESET-** or **+** once or more to allocate a number from 1 to 30 to this station.
4. Press **PROG** again to confirm.
→ Display shows the preset number, waveband and the frequency of the preset station.
5. Repeat the above four steps to store other stations.

Note: You can erase a preset station by storing another frequency in its place.

To listen to a preset station

Press **ALBUM / PRESET-** or **+** once or more until the desired preset station is displayed.

MP3-CD / CD PLAYER

IMPORTANT SPECIFICATIONS

Supported formats:

- Disc format ISO9660, Joliet and multi-session CDs. Use ISO9660 disc format when burning CD-ROMs.
- MP3 music formats.
- MP3 bit rate (data rate): 32-320 Kbps and variable bit rate.
- 650Mb and 700Mb CD-R and CD-RWs.
- Directory nesting up to a maximum of 8 levels (max. 64 characters).

General information

The music compression technology MP3 (MPEG Audio Layer 3) reduces the original digital audio data by a factor up to 10 without losing significant sound quality. This allows you to record up to 10 hours of CD-like quality music on a single CD-ROM.

How to get MP3 music

Either download legal MP3 music from the internet or convert your audio CD into MP3 format with any MP3 encoder software, and then record onto a CD-R(W).

- To achieve a good sound quality a bit rate of at least 128kbps is recommended for MP3 files.
- Some encoder software offer an option to protect music files, i.e. the files can only be played on the computer which created them. If you burn such files on a CD-ROM, you cannot play them on this set. Make sure to deactivate the protection option in the encoder software before creating the music files. In this case you are responsible for adherence to all local or international copyrights.

When burning the MP3-CD

- To avoid problems with playback or missing files, make sure the file names are typed in English text characters and that the MP3 files end with **.mp3**
- Use a writing software capable of recording MP3 track titles (files) in numerical and alphabetical order. For details on using the software, refer to the operating instructions of the software.
- When recording on a CD-RW, make sure that you close (finalize) all sessions in order for the set to read and play your tracks.

MP3-CD / CD PLAYER

How to organize MP3 files

You can store up to a maximum number of 35 albums and 400 titles on one MP3-CD, depending on the song file sizes.

Albums and titles are alphabetically sorted.

- MP3-CD / CD albums and titles are shown as numbers in the display.

IMPORTANT!

This set does not play/support the following:

- Empty albums: an empty album is an album that does not contain MP3 files, and will not be shown in the display.
- Non-supported file formats are skipped. This means that e.g.: Word documents **.doc** or MP3 files with extension **.dlf** are ignored and will not be played.
- **Playlist Files** e.g. **.m3u**, **.pls** of WMA, AAC, Winamp, Sonic, RealJukebox, MS Mediaplayer 7.0, MusicMatch.
- Recordings created on e.g. **PacketWriting** and **Package Writing**.

Playing MP3-CD & CD

This CD player plays Audio Discs including CD-R(W)s, and MP3 CD-ROMs.

- CD-I, CDV, VCD, DVD or computer CDs, are not possible.
1. Press **STANDBY ON** \odot once or more to on, then select **CD SOURCE**.
 2. Press **OPEN•CLOSE** to open the CD door.
 \Rightarrow **CD OPEN** is displayed when the CD door is open.
 3. Insert a CD with the printed side facing up and press down on **OPEN•CLOSE** to close the CD door.
 \Rightarrow Display show **READ** ,when reading disc contents;
 \Rightarrow Display : **INSERT DISC** if no disc inserted/disc incorrectly inserted.,
 \Rightarrow Display : **CHECK DISC** or **DISC ERROR** if disc damaged / dirty:.
 - **CD** throughout CD operation;
 - **MP3 CD** throughout MP3-CD operation;
 - In CD stop mode: total track number and total playback time.

MP3-CD / CD PLAYER

- **NF DISC** is shown if you have inserted a non-finalized CD-R(W) / black disc.

Note: MP3-CDs may take more than 10 seconds to read.

4. Press **▶II** to start playback.
 \rightarrow Display: Current track number and elapsed track time during MP3-CD / CD playback.
 \rightarrow If MP3-CD, the album number also is shown.
5. To pause playback press **▶II**. Press **▶II** again to resume play.
 \rightarrow Time digits flashes during pause.
6. To stop MP3-CD / CD playback, press **■**.
7. Press **STANDBY ON** \odot to switch off the set.

Note: MP3-CD / CD play will also stop when:

- the CD door is opened
- the CD has reached the end
- you select other sound source.

MP3-CD/ CD text display

During playback, press the **BAND / DISPLAY** button briefly and repeatedly to view text information:

MP3-CDs

Press **BAND / DISPLAY** once or more to view e.g.

- track name and elapsed track time;
- album name and elapsed track time;
- album number, track number and elapsed track time;

– ID3 tag details, if available. Otherwise, display shows **NO ID3 TAG** .

CDs

Press **BAND / DISPLAY** once or more to view e.g.

- Current track number and elapsed track time during CD playback;
- Remaining playback time of current track.

Selecting a different track

- Press **SEARCH** **◀◀** or **▶▶** (on the remote control **◀** or **▶**) once or repeatedly until the desired track number appears in the display.
- If you have selected a track number shortly after loading a disc or in the **PAUSE** position, you will need to press **▶II** to start playback.

MP3-CD / CD PLAYER

MP3-CD mode only:

First press **ALBUM / PRESET** – or + once or more to find your album.

\Rightarrow Display: **NO ALBUM** if no albums are available.

Finding a passage within a track

1. Press and hold **SEARCH** **◀◀** or **▶▶** (on the remote control **◀◀** or **▶▶**)
 - The CD is played at high speed and low volume.
 - No sound is heard during MP3-CD fast cue/review.
2. When you recognize the passage you want, release **◀◀** or **▶▶**. Normal playback continues. (on the remote control **◀◀** or **▶▶**)

Note: Searching is only possible within a track.

Different play modes: SHUFFLE and REPEAT (See

4 - **7**)

You can select and change the various play modes before or during playback. The play modes can also be combined with PROGRAM.

shuffle - tracks of the entire CD / program are played in random order
shuffle repeat all - to repeat the entire CD / program continuously in random order
repeat all - repeats the entire CD / program
repeat - plays the current track continuously

1. To select play mode, press **MODE** once or more. (**SHUFFLE / REPEAT** on the remote control).
2. Press **▶II** to start playback if in the stop position.
 \Rightarrow If you have selected **shuffle**, playback starts automatically.
3. To select normal playback, press **MODE** repeatedly until the various modes are no longer displayed.
 - You can also press the **■** to cancel your play mode in playing.

USB PC LINK

- The installation guide will appear automatically. If it does not, go to the CD-ROM drive in **Windows Explorer** and double click on the **USB PC LINK.exe**. Then perform the following steps:
 - Select your desired language from the list.
 - Select **installer driver**.
 - Select **installer MusicMatch jukebox**.
 - Select other options (**Tutorial, Free goodies, FAQ**).

Note:

- You are advised to read the MusicMatch tutorial before using it for the first time. Make sure the volume on your PC is suitably adjusted to ensure sound output on the set. For optimum performance, the equalizer function in MusicMatch should be set to a low level.

- Launch **MUSICMATCH JUKEBOX** and create your own playlist of favorite songs by dragging and dropping the music track from anywhere on your PC into the playlist window.

Note:

-- If you encounter any problem using the USB PC LINK, please refer to the FAQ (Frequently Asked Questions) stored in your USB PC LINK installer disc or visit www.audio.philips.com for the latest FAQ updates.

After setup, refer to "Connecting to USB PC Link" for details on the USB PC LINK operations.

Enable digital CD audio output

Before playing CDs on your PC's CD-ROM drive, it is necessary to configure your PC's hardware as follows:

For Windows ME/ 2000/ XP

- Enter the system panel menu and select **'SYSTEM', 'PROPERTIES', 'HARDWARE', 'DEVICE MANAGER', 'CD-ROM DRIVES'** and **'PROPERTIES'**.

For Windows 98 SE

- Check the **Enable digital CD audio for this CD-ROM device** setting option is selected (enabled).

Note: For windows 98 SE you may need to refer to your PC's manual for correct configuration.

USB PC LINK

Connecting to USB PC Link (See 9)

The USB PC LINK allows you to playback your music collection from the PC via the powerful amplifier and speakers of this set.

IMPORTANT!

Make sure the MusicMatch software has been installed. Refer to "Quick Setup Guide" for the USB PC Link.

- Turn on your set and computer .
 - ⇒ Check your PC volume is suitably adjusted and not set to minimum / mute.
- Press **SOURCE (USB)** on the remote control) once or more to select **USB PC LINK** .
- If correctly connected your PC will automatically launch **MUSICMATCH JUKEBOX**.
 - ⇒ If the audio streaming is detected, the current track name scrolls .
 - ⇒ If **NO CONNECTION** scrolls for a while, check the connection between your PC and set.
- Press **◀** or **▶** until the desired track in the playlist is highlighted.
- Press **▶II** to start playback.
 - ⇒ The track time appears and the track name scrolls once.

Note: The display only supports English characters in uppercase.

- If you want to see the track details displayed press **MODE**.
 - During playback,
 - Press **SHUFFLE** on the remote control to play all available tracks in the playlist in random order.
 - Press **REPEAT** on the remote control to repeat playback all the tracks in the playlist.
- To cancel play modes/ stop playback, press **■** or select another sound sources.

MAINTENANCE & SAFETY

MAINTENANCE & SAFETY (See 10)

CD player and disc handling

- If the CD player cannot read CDs correctly, use a cleaning CD to clean the lens before taking the set to repair.
- The lens of the CD player should *never be touched!*
- Sudden changes in the surrounding temperature can cause condensation on the lens of your CD player. Playing a CD is then not possible. Do not attempt to clean the lens but leave the set in a warm environment until the moisture evaporates.
- Always close the CD door to avoid dust on the lens.
- To take a CD out of its box, press the center spindle while lifting the CD.
- To clean the CD, wipe in a straight line from the center towards the edge using a soft, lint-free cloth. Do not use cleaning agents as they may damage the disc.
- Never* write on a CD or attach any stickers to it.

MAINTENANCE & SAFETY

Safety Information

- Don't expose the set, batteries, CDs to humidity, rain, sand or excessive heat.
- Clean the set with a dry cloth. Don't use any cleaning agents containing alcohol, ammonia, benzene or abrasives as these may harm the set.
- Place the set on a hard and flat surface so that the system does not tilt. Make sure there is good ventilation to prevent the set from overheating.

TROUBLESHOOTING

If a fault occurs, first check the points listed below before taking the set for repair. If you are unable to remedy a problem by following these hints, consult your dealer or service center.

WARNING: Do not open the set as there is a risk of electric shock! Under no circumstances should you try to repair the set yourself, as this will invalidate the warranty.

No sound /power

- Volume not adjusted
- Adjust the VOLUME
- Mains lead not securely connected
- Connect the AC mains lead properly
- Batteries flat / incorrectly inserted
- Insert (fresh) batteries correctly
- Headphones connected to the set
- Disconnect headphones
- Electrostatic discharge/interference
- Unplug the set. If batteries inserted, remove batteries from the battery compartment. Press and hold **STANDBY ON** \odot for 10 seconds, then re-plug / replace battery supply, and try activating the set again.
- When in USB PC LINK mode, check that your PC's volume is audible and not set to minimum.
- When playing a CD from the PC's CD-ROM drive, refer to **USB PC Link - Enable digital CD audio output**.
- CD contains non-audio files
- Press **SEARCH** \lll or \ggg . once or more to skip to a CD audio track, instead of the data file

Poor sound quality in GAME•AUX mode

- Adjust the volume on the set or on your game console

Severe radio hum or noise

- Electrical interference: set too close to TV, VCR or computer
- Move the set to increase the distance

Remote control does not function properly

- Batteries flat/ incorrectly inserted
- Insert (fresh) batteries correctly
- Distance/ angle between the set too large
- Reduce the distance/ angle

Poor radio reception

- Weak radio signal
- FM / MW: Adjust the FM / MW telescopic aerial

NF DISC indication

- CD-R(W) is blank/ not finalized
- Use an unfinalized CD-R(W)

INSERT DISC/CHECK DISC/DISC ERROR indication

- No CD inserted
- Inserted a suitable disc
- CD badly scratched or dirty
- Replace/ clean CD, see Maintenance
- Laser lens steamed up
- Wait until lens has cleared

The CD skips tracks

- CD damaged or dirty
- Replace or clean CD
- shuffle or program is active
- Switch off shuffle / program

NO CONNECTION is displayed in USB PC LINK mode for more than 10 seconds

- Check the connection between your PC and the set. If necessary, please refer to the chapter **Connecting to USB PC Link** for the initial setup required.
- Make sure the connected PC is turned on and the MusicMatch software is working.

Sound skips during MP3 playback

- MP3 file made at compression level exceeding 320kbps
- Use a lower compression level to record CD tracks into MP3 format
- Disc damaged or dirty
- Replace or clean disc

Cannot find desired MP3 title

- Wrong file extension used and/ or file name with unsuitable text characters used
- Make sure the file names are typed in English text characters and that the MP3 files end with .mp3

English

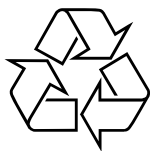
Français

Español

Deutsch

Meet Philips at the Internet

<http://www.philips.com>



AZ 2558

**CLASS 1
LASER PRODUCT**

3140 115 3053 2



Printed in China