

# Always there to help you

Register your product and get support at [www.philips.com/support](http://www.philips.com/support)



## Quick Start Guide

PHILIPS



Specifications are subject to change without notice. This product has been manufactured by, and is sold under the responsibility of Gibson Innovations Ltd., and Gibson Innovations Ltd. is the warrantor in relation to this product. Philips and the Philips Shield Emblem are registered trademarks of Koninklijke Philips N.V. and are used under license.

PX840T\_79\_QSG\_V1.0

PX840T

## Safety

- Unplug this apparatus during lightning storms or when unused for long periods of time.
- Do not block any ventilation openings. The minimum distance around the product for sufficient ventilation is 10 cm.
- Use only power supplies listed in the user manual.
- Battery usage **CAUTION** – To prevent battery leakage which may result in bodily injury, property damage, or damage to the product:
  - Install all batteries correctly, + and - as marked on the product.
  - Do not mix batteries (old and new or carbon and alkaline, etc.).
  - Batteries (packed or installed) shall not be exposed to excessive heat such as sunshine, fire or the like.
  - Remove batteries when the product is not used for a long time.
  - Batteries contain chemical substances, so they should be disposed of properly.
- The product shall not be exposed to dripping or splashing.
- Use the product in moderate climate.
- Do not place any sources of danger on the product (e.g. liquid filled objects, lighted candles).
- Where the plug of the Direct Plug-in Adapter is used as the disconnect device, the disconnect device shall remain readily operable.

### Note

- The type plate is located on the bottom of the product.

## Notice

Any changes or modifications made to this device that are not expressly approved by Gibson Innovations may void the user's authority to operate the equipment.

## Disposal of your old product

Your product is designed and manufactured with high quality materials and components, which can be recycled and reused.



Do not throw away the product with the normal household waste at the end of its life, but hand it in at an official collection point or recycling. By doing this, you help to preserve the environment.

### Environmental information

All unnecessary packaging has been omitted. We have tried to make the packaging easy to separate into three materials: cardboard (box), polystyrene foam (buffer) and polyethylene (bags, protective foam sheet.)

Your system consists of materials which can be recycled and reused if disassembled by a specialized company. Please observe the local regulations regarding the disposal of packaging materials, exhausted batteries and old equipment.

### Bluetooth

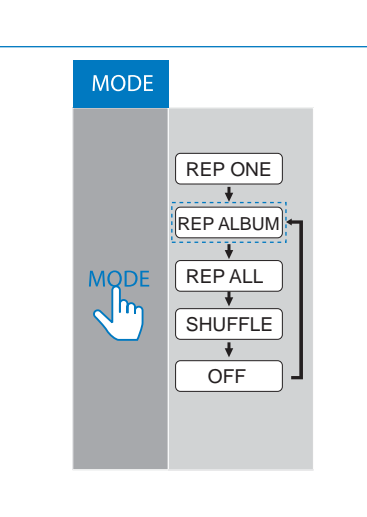
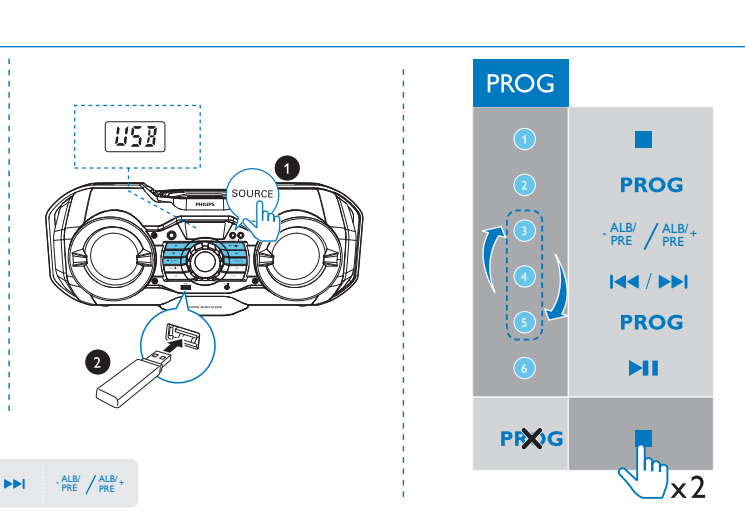
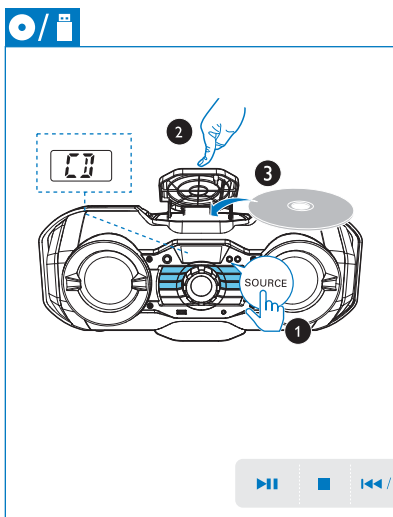
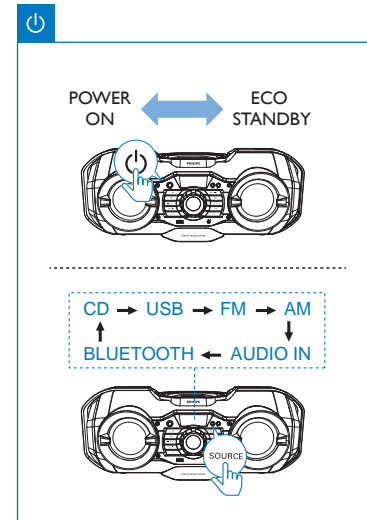
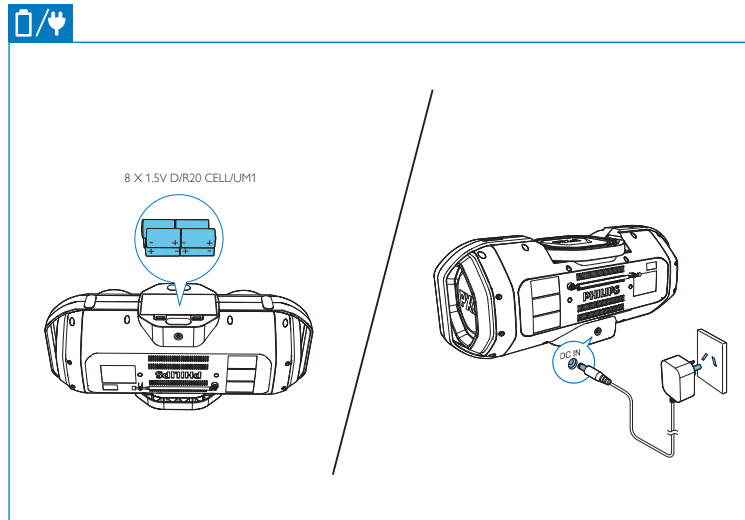
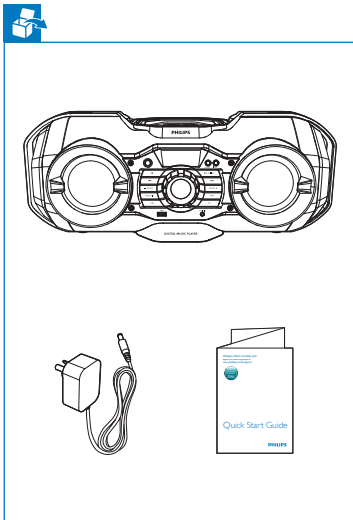
The Bluetooth® word mark and logos are registered trademarks owned by Bluetooth SIG, Inc. and any use of such marks by Gibson Innovations Limited is under license. Other trademarks and trade names are those of their respective owners.

This apparatus includes this label:



## Specifications

Power supply	
- AC power	Brand name: PHILIPS; Model: HB40-1203002SPA; Input: AC 100-240V~, 50/60 Hz, 0.8 A;
	Output: DC 12 V 3000 mA;
- Battery	8 X 1.5V D/R20 CELL/UM1 batteries (not supplied)
Operation Power	20 W
Consumption	
Eco Standby Power	<0.5 W
Consumption	



**1** BLUETOOTH → PAIRING

**2** SOURCE

≈ 10 m

**3** CONNECTED

Bluetooth  
Devices  
Philips PX8

Note:  
If you cannot find [Philips PX8] for pairing, press and hold PAIRING for two seconds to enter pairing mode, and then try again.

AUDIO IN

**1** SOURCE

**2** AUDIO IN

**1** SOURCE

**2** PROG

RM/FM

87.50

108.00

87.50 P01

87.60 P02

108.00 P20

- ALB/ PRE / ALB/ PRE +

**1** SOURCE

**2** PROG

**3** - ALB/ PRE / ALB/ PRE +

RM/FM

87.50

108.00

87.50 P01

87.60 P02

108.00 P20

- ALB/ PRE / ALB/ PRE +

**6** - ALB/ PRE / ALB/ PRE +

DBB

DBB on  
DBB off

DSC

ROCK  
TECHNO  
JAZZ  
POP  
SAMBA

Powerful → Peace

Light off

LIGHT X3

MODE/DIM X4

OFF

MODE/DIM X1

+

-

USB

www.philips.com/support

User Manual

To download the full user manual, visit [www.philips.com/support](http://www.philips.com/support).

# PHILIPS

**Warranty against Defects**

In this warranty, "the Goods" means Gibson Irwin's ARBN 165 105 975, and our contact details are set out at the end of this warranty.

You mean the purchaser or the original end-user of the Goods.

Supplier means the authorised distributor or retailer of the Goods that sold you the Goods in Australia or New Zealand.

Goods means the product or equipment which was accompanied by this warranty and purchased in Australia or New Zealand.

If you require assistance with the operation of the product, its features or specifications please call the Philips Australia Customer Care Centre on 1300 850 633. Our Goods come with guarantees that cannot be excluded under the Australian Consumer Law. You are entitled to a replacement or refund for a major failure and for compensation for any other reasonably foreseeable loss or damage. You are also entitled to have the Goods repaired or replaced if the goods fail to be of acceptable quality or are not fit for purpose, where the supplier, manufacturer, importer or exporter has failed to supply, manufacture, import or export goods that are of acceptable quality. This guarantee applies in addition to the conditions and guarantees implied by that legislation.

**Additional Warranty:**

In addition to the rights and remedies that you have under the Australian Consumer Law, Consumer Guarantees Act of New Zealand or any other applicable law, we provide the following warranty against defects:

1. If the Goods are found to be defective by reason of improper workmanship or materials and none of your statutory rights or remedies apply, we will repair or replace the Goods without charge.
2. We do not have to repair or replace the Goods under this Additional Warranty if the Goods have been used for a purpose other than that intended for the Goods, or if the Goods have been modified, altered, tampered with, or not maintained in accordance with the manufacturer's instructions.
3. Even when we do not have to repair or replace the Goods, we may decide to do so anyway. In some cases, we may decide to substitute the Goods with a similar alternative product of our choosing. All such decisions are at our absolute discretion.
4. All returned or substituted Goods continue to receive the benefit of this Additional Warranty for the time remaining on the original Warranty Period.
5. This Additional Warranty is limited to repair, replacement or substitution only. As far as the law permits, we will not be liable for any loss or damage caused to property or persons arising from any cause whatsoever.
6. In order to claim under this Additional Warranty you must telephone us on 1300 850 633 in Australia or 0800 639 639 in New Zealand. We will require you to provide us with a copy of your receipt for the Goods and a copy of the defect and your personal details. Upon accepting your claim, we shall assist you with either returning the Goods to the Supplier for replacement or to the most convenient Philips Authorised Service Centre for your Goods to be repaired or substituted.

\* All returned Goods must be accompanied by satisfactory proof of purchase which clearly indicates the name and address of the Supplier, the date and place of purchase and identifies the product. It is best to provide a legible and unmodified receipt or sales invoice.

† This warranty is provided as an additional warranty for return of the Goods or otherwise associated with making your claim under this Additional Warranty.

7. This warranty is only valid and enforceable in Australia and New Zealand.

Contact us or the place of purchase for further details.

Gibson Irwin Innovations  
Suite 228 33 Waterloo Rd  
Melbourne VIC 3003  
Consumer Care: 0800 639 633  
Email: [australia@philips.com](mailto:australia@philips.com)  
New Zealand  
Consumer Care: 0800 639 633  
Email: [nz@philips.com](mailto:nz@philips.com)  
Website: [www.philips.com/australia](http://www.philips.com/australia)

Apr 2015