

Always there to help you

Register your product and get support at
www.philips.com/welcome



CEM2250/51



User manual	1	Посібник користувача	55
Руководство пользователя	25	Қолданушының нұсқасы	81

PHILIPS

Contents

1 Important	2	7 Play from iPod/iPhone	16
Safety	2	Compatible iPod/iPhone	16
Notice	2	Connect your iPod/iPhone	16
		Control play	17
		Charge your iPod/iPhone	17
2 Your car audio system	4		
Introduction	4	8 Connect external sound source	18
What's in the box	4		
Overview of the main unit	5	9 Adjust sound	19
3 Install the car audio	7	10 Adjust system settings	20
Connect wires	7		
Mount into the dashboard	8	11 Additional information	21
Attach the front panel	9	Reset	21
		Replace fuse	21
4 Get started	10		
For the first time use	10	12 Product information	22
Set the time format	10		
Set the clock	10	13 Troubleshooting	23
Select a source	11		
Switch music listening zone	11	14 Glossary	24
Mute the button beep	11		
5 Listen to radio	12		
Select a tuner region	12		
Select tuner sensitivity	12		
Select radio band	12		
Search for a radio station	12		
Store radio stations in memory	12		
Play with RDS	13		
6 Play from hard media	15		
Play from a Disc	15		
Play from USB storage device	15		
Control play	15		
Switch tracks	16		

1 Important

Safety

- Read and understand all instructions before you use your apparatus. If damage is caused by failure to follow instructions, the warranty does not apply.
- This apparatus is designed for negative ground (earth) 12V DC operation only.
- To ensure safe driving, adjust the volume to a safe and comfortable level.
- Improper fuses can cause damage or fire. When you need to change the fuse, consult a professional.
- Use only the supplied mounting hardware for a safe and secure installation.
- To avoid short circuit, do not expose the apparatus, remote control or remote control batteries to rain or water.
- Never insert objects into the ventilation slots or other openings on the apparatus.
- Clean the apparatus and frame with a soft, damp cloth. Never use substances such as alcohol, chemicals or household cleaners on the apparatus.
- Never place any objects other than discs into the apparatus.
- Never use solvents such as benzene, thinner, cleaners available commercially, or anti-static sprays intended for discs.
- Visible and invisible laser radiation when open. Avoid exposure to beam.
- Risk of damage to the apparatus screen! Never touch, push, rub or strike the screen with any object.



Caution

- Use of controls or adjustments or performance of procedures other than herein may result in hazardous radiation exposure or other unsafe operation.

- The apparatus shall not be exposed to dripping or splashing.
- Do not place any sources of danger on the apparatus (e.g. liquid filled objects, lighted candles).

Notice

Any changes or modifications made to this device that are not expressly approved by WOOX Innovations may void the user's authority to operate the equipment.

Recycling



Your product is designed and manufactured with high quality materials and components, which can be recycled and reused.

When you see the crossed-out wheel bin symbol attached to a product, it means the product is covered by the European Directive 2002/96/EC:



Never dispose of your product with other household waste. Please inform yourself about the local rules on the separate collection of electrical and electronic products. The correct disposal of your old product helps prevent potentially negative consequences on the environment and human health.

Environmental information

All unnecessary packaging has been omitted. We have tried to make the packaging easy to separate into three materials: cardboard (box), polystyrene foam (buffer) and polyethylene (bags, protective foam sheet.)

Your system consists of materials which can be recycled and reused if disassembled by a specialized company. Please observe the

local regulations regarding the disposal of packaging materials, exhausted batteries and old equipment.



The making of unauthorized copies of copy-protected material, including computer programs, files, broadcasts and sound recordings, may be an infringement of copyrights and constitute a criminal offence. This equipment should not be used for such purposes.



Windows Media and the Windows logo are trademarks, or registered trademarks of Microsoft Corporation in the United States and/or other countries.



“Made for iPod,” and “Made for iPhone,” mean that an electronic accessory has been designed to connect specifically to iPod or iPhone, respectively, and has been certified by the developer to meet Apple performance standards. Apple is not responsible for the operation of this device or its compliance with safety and regulatory standards. Please note that the use of this accessory with iPod or iPhone may affect wireless performance.

iPod and iPhone are trademarks of Apple Inc., registered in the U.S. and other countries.

This apparatus includes this label:



2013 © WOOX Innovations Limited.

All rights reserved. Specifications are subject to change without notice. WOOX reserves the right to change products at any time without being obliged to adjust earlier supplies accordingly.

2 Your car audio system

Congratulations on your purchase, and welcome to Philips! To fully benefit from the support that Philips offers, register your product at www.philips.com/welcome.

Introduction

With the in-car audio system, you can enjoy your drive while listening to:

- FM or AM (MW) radio
- Audio from CD or MP3 disc
- Audio from USB devices
- Audio from iPod/iPhone
- Audio from other external devices

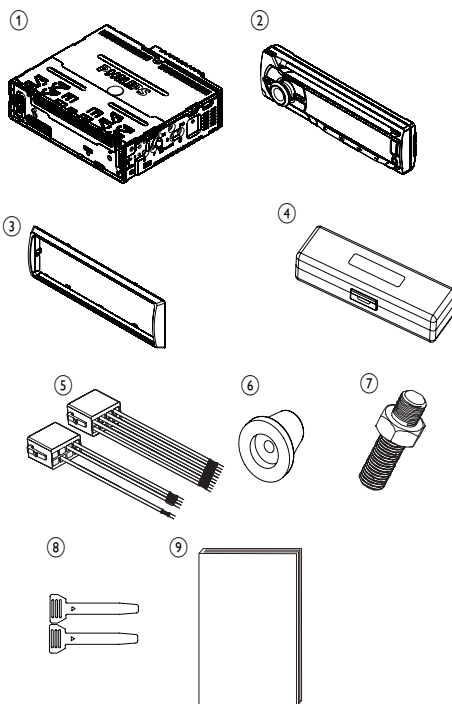
The unit supports the following media format:



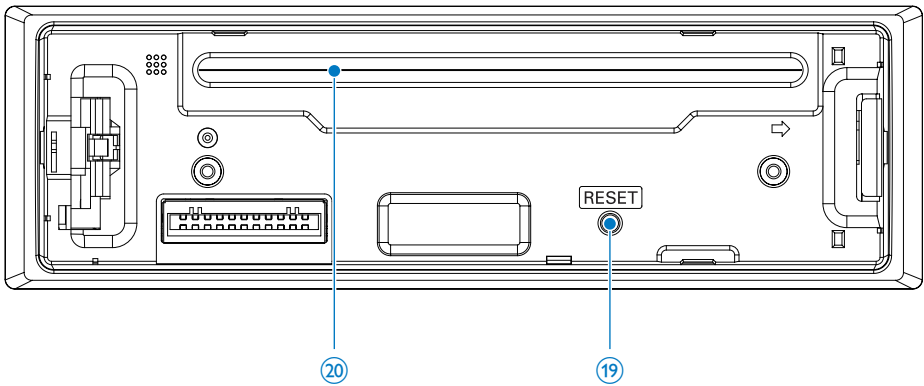
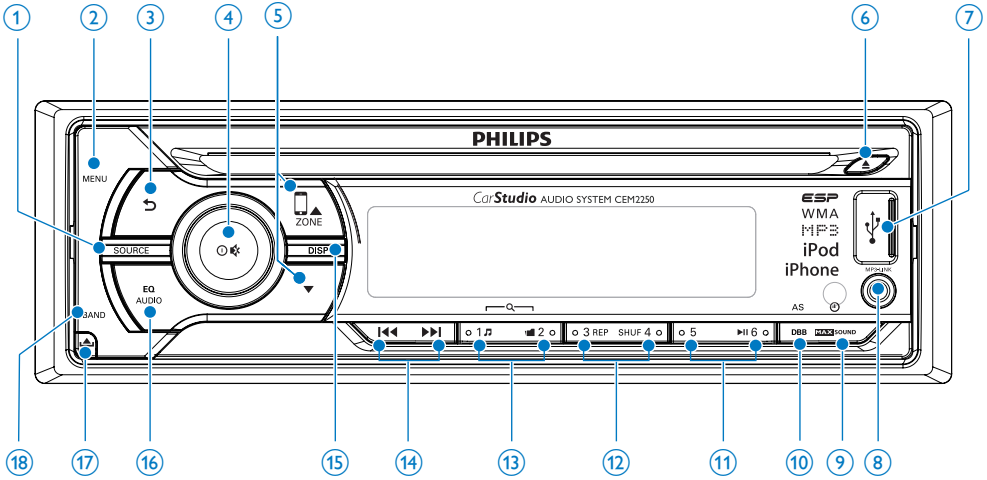
What's in the box

Check and identify the contents of your package:









- ① Main unit (with a sleeve)
- ② Front panel
- ③ Trim plate
- ④ Carrying case for front panel
- ⑤ ISO connectors
- ⑥ Rubber cushion
- ⑦ Screw x 1 pc
- ⑧ Disassembly tools x 2 pcs
- ⑨ User manual



Overview of the main unit



- ① **SOURCE**
 - Select audio source.
- ② **MENU**
 - Access system menu.
- ③ **↶**
 - Return to previous menu.
 - Navigate the iPod/iPhone menu.
- ④ **⏻ / 咪**
 - Press and hold to turn the unit on or off.
 - Press to confirm selection.
- ⑤ **⏻ ZONE ▲ / ▼**
 - In radio mode, press to select tuner band.
 - For .mp3 and .wma tracks on a storage device, press to select MP3/WMA folder.
- ⑥ **⏻**
 - Press to mute or unmute sound.
 - Rotate to adjust volume.
 - Rotate to switch between menu options.

- Press and hold to switch music listening zone.
 - For iPod/iPhone, press repeatedly to select a control mode.
- ⑥ ▲
- Eject disc.
- ⑦ 
- USB socket.
- ⑧ **MP3 LINK**
- Connect external audio device.
- ⑨ **MAX SOUND / **
- Press to turn on or off Maximizing volume.
 - In any mode, press and hold to view clock.
- ⑩ **DBB/AS**
- Press to turn on or off Dynamic Bass Boost (DBB) sound.
 - In radio mode, press and hold to access to tuner auto store.
- ⑪ ****
- In radio mode, press to select preset radio station No.5/6.
 - In radio mode, press and hold to store the current radio station at station No. 6.
 - Press to start, pause or resume play.
- ⑫ **REP / SHUF**
- In radio mode, press to select preset radio station No.3/4.
 - In radio mode, press and hold to store the current radio station at station No. 3/4.
 - For .wma and .mp3 tracks, press to access to repeat play or shuffle play.
- ⑬ ** / **
- In radio mode, press to select preset radio station No.1/2.
 - In radio mode, press and hold to store the current radio station at station No. 1/2.
 - For .wma and .mp3 tracks on a storage device, press to access track/folder list.
- ⑭ ** / **
- In radio mode, press to tune for radio station.
 - Press to skip/search for track.
 - Press to fast backward/forward playback.
- ⑮ **DISP**
- Press to display current status.
 - In iPod/iPhone mode, press and hold to access music search mode.
- ⑯ **EQ / AUDIO**
- Press repeatedly to select equalizer (EQ) setting.
 - Press and hold to access audio setting menu.
- ⑰ ****
- Unlock the panel.
- ⑱ **BAND**
- Select tuner band.
- ⑲ **RESET**
- Restore default settings.
- ⑳ **Disc slot**

3 Install the car audio

These instructions are for a typical installation. However, if your car has different requirements, make the corresponding adjustment. If you have any questions regarding installation kits, consult your Philips car audio dealer.



Caution

- This unit is designed for negative ground (earth) 12 V DC operation only.
- Always install this unit in the car dashboard. Other locations can be dangerous as the rear of the unit heats up during use.
- To avoid short-circuit before you connect, ensure that the ignition is off.
- Ensure that you connect the yellow and red power supply leads after all other leads are connected.
- Ensure that all loose leads are insulated with electrical tape.
- Ensure that the leads do not get caught under screws or in parts that will move (e.g. seat rail).
- Ensure that all ground (earth) leads are run to a common ground (earth) point.
- Use only the supplied mounting hardware for a safe and secure installation.
- Improper fuses can cause damage or fire. When you need to change the fuse, consult a professional.

Note on the power supply lead (yellow)

- When you connect other devices to this apparatus, ensure that the rating of the car circuit is higher than the total fuse value of all the connected devices.

Notes on speaker connection

- Never connect speaker wires to the metal body or chassis of the car.
- Never connect speaker wires with stripes to one another.

Connect wires



Caution

- Ensure that all loose leads are insulated with electrical tape.



Note

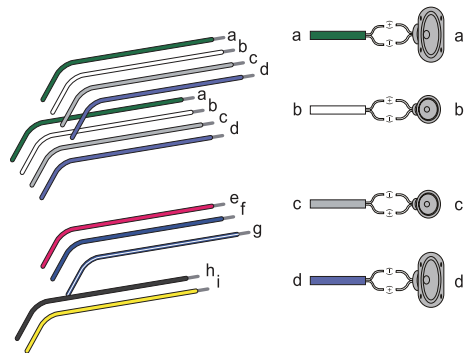
- Consult a professional to connect CEM2250 as instructed below.

- 1 Check the car's wiring carefully and connect them to the the supplied male connector.



Note

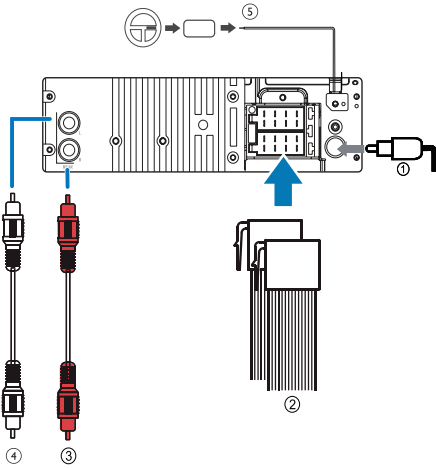
- Risk of danger! Please consult a professional to perform the below steps!



ISO male connectors	Connect to
1 Green strip, black-edged green strip	Left speaker (Rear)
2 White strip, black-edged white strip	Left speaker (Front)
3 Gray strip, black-edged gray strip	Right speaker (Front)
4 Purple strip, black-edged purple strip	Right speaker (Rear)

ISO male connectors	Connect to
e Red	Ignition key +12V DC when ON/ACC
f Blue	Motor/electric antenna relay control lead
g White edged blue strip	Amplifier relay control lead
h Black	Ground
i Yellow	To the +12V car battery which is energized at all times

2 Connect the antenna and amplifier as illustrated, if applicable.



Connector	Connect to
1 ANTENNA	Antenna
2 Socket for ISO male connectors	As indicated in Step 1 above
3 REAR LINE OUT R (Socket)	Rear right speaker
4 REAR LINE OUT L (Socket)	Rear left speaker
5 OE REMOTE (Purple)	OE Remote

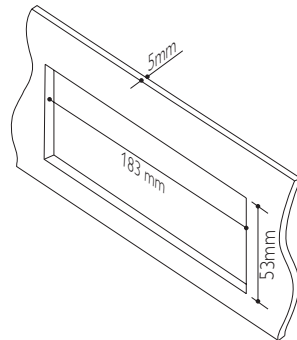
Tip

- The pin arrangement for the ISO connectors depends on the type of vehicle you drive. Be sure to make proper connections to prevent damage to the unit.

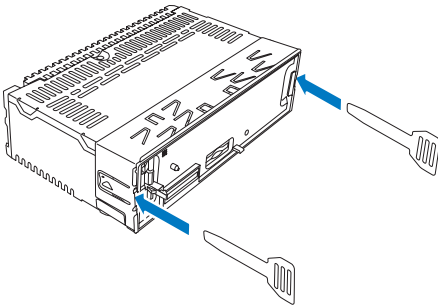
Mount into the dashboard

- If the car does not have an on-board drive or navigation computer, disconnect the negative terminal of the car battery.
- If the car battery is not disconnected, to avoid short-circuit, make sure that the bare wires do not touch each other.

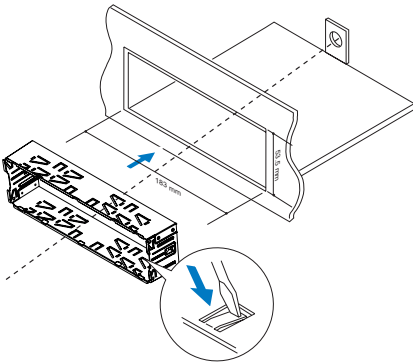
1 Ensure that car dashboard opening is within these measurements:



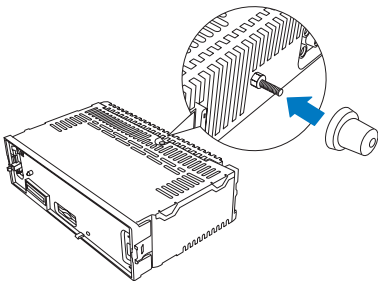
- 2 Remove the mounting sleeve with the supplied disassembly tools.



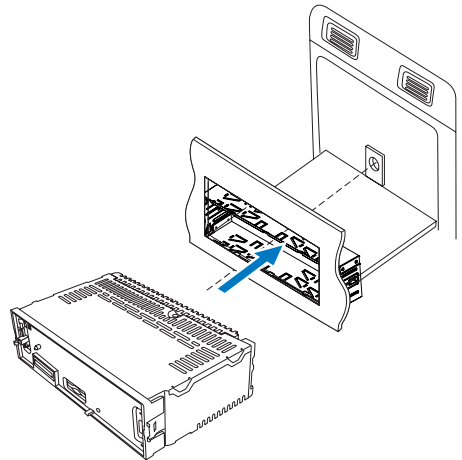
- 3 Install the sleeve into the dashboard and bend the tabs outward to fix the sleeve.



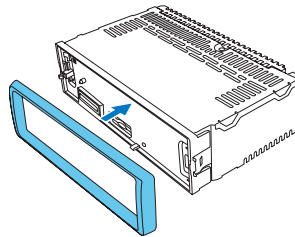
- 4 Place the supplied rubber cushion over the end of the mounting bolt.



- 5 Slide the unit into the dashboard until you hear a click sound.



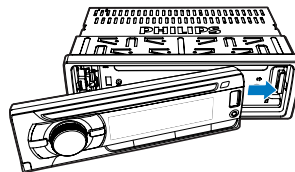
- 6 Attach the trim plate.



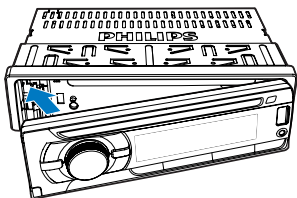
- 7 Reconnect the negative terminal of the car battery.

Attach the front panel

- 1 Insert the notch on the front panel to the chassis on the main unit.



- 2 Press the left end of the front panel inwards until it is securely locked with a "click".

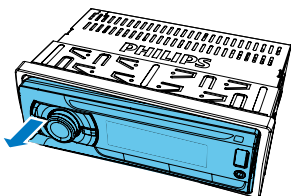


Detach the front panel

Note

- Before you detach the front panel, make sure that the system is turned off.

- 1 Press to release the front panel.
- 2 Pull the front panel outwards to remove it.



4 Get started

For the first time use

Note

- Select correct country/region for this unit, otherwise the unit can not work properly.

- 1 Press to turn the unit on.
↳ [SELECT OPERATING REGION] is displayed.
- 2 Rotate to select an option:
 - [USA] (United States)
 - [LATIN] (Latin America)
 - [EUROPE] (Western Europe)
 - [RUSSIA] (Russia)
 - [MID--EAST] (Middle East)
 - [ASIA] (Pacific)
 - [JAPAN] (Japan)
 - [AUSTRALIA] (Australia)
 - [OIRT] (OIRT)
- 3 Press to confirm.

Set the time format

- 1 Press **MENU**.
- 2 Press or repeatedly until [CLOCK FORMAT] is displayed.
- 3 Rotate to select a setting:
 - [CLK 12H]
 - [CLK 24H]

Set the clock

- 1 Press **MENU** repeatedly until [CLOCK SET] is displayed.

- 2 Rotate **⊖** to set hour.
- 3 Press **⊖** to confirm.
- 4 Rotate **⊖** to set minute.
- 5 Press **⊖** to confirm.

Display the clock

In any mode, press and hold **MAX SOUND** / **⊖** until the clock is displayed.

- Press any key to cancel the clock display.

Select a source

Press **SOURCE** repeatedly to select a source.

- **[RADIO]**: Listen to FM/AM radio.
- **[MP3--LINK]**: Listen to the audio input through the **MP3-LINK** socket.
- **[iPod/USB]**: When a USB storage device or compatible iPod/iPhone is connected and recognized, you can select this source to play audio files that are stored on it.

Switch music listening zone

Philips' innovative Zone technology enables driver or passengers to enjoy music with the best speakers balance and experience more vivid spacial effect as the artist is intended to create. You can switch the music listening zone from driver to passengers for the best speaker sound settings in car.

- 1 Press and hold **ZONE**.
↳ The current setting is displayed.
- 2 Rotate **▲** / **▼** to select a setting:
 - **[ALL]** (All)
 - **[LEFT]** (Left)
 - **[RIGHT]** (Right)
 - **[FRONT]** (Front)

Mute the button beep

The beep sound of the buttons is enabled by default. You can turn this beep sound on or off.

- 1 Press **MENU**.
- 2 Press **▲** or **▼** repeatedly until **[BEEP TONE]** is displayed.
- 3 Rotate **⊖** to select a setting:
 - **[BEEP ON]**: turn the beep sound on.
 - **[BEEP OFF]**: turn the beep sound off.

5 Listen to radio

Select a tuner region

You can select suitable country/region of the radio.

- 1 Press **SOURCE** to select radio mode.
- 2 Press **MENU** repeatedly until **[AREA]** is displayed.
- 3 Rotate \odot to select:
 - **[USA]** (United States)
 - **[LATIN]** (Latin America)
 - **[EUROPE]** (Western Europe)
 - **[RUSSIA]** (Russia)
 - **[MID--EAST]** (Middle East)
 - **[ASIA]** (Asia Pacific)
 - **[JAPAN]** (Japan)
 - **[AUSTRALIA]** (Australia)
 - **[OIRT]** (OIRT)
- 4 Press \odot to confirm.

Select tuner sensitivity

To receive more radio stations or only stations with strong signal, you can adjust the tuner sensitivity.

- 1 Press **MENU** repeatedly until **[LOCAL]** is displayed.
- 2 Rotate \odot to select a setting:
 - **[LOCAL ON]** (local on): only stations with strong signal can be broadcast.
 - **[LOCAL OFF]** (local off): stations with strong and weak signals can be broadcast.

Select radio band

- 1 Press **SOURCE** repeatedly to select radio mode.
- 2 Press **BAND** or \blacktriangle / \blacktriangledown repeatedly to select band: **[FM1]**, **[FM2]**, **[FM3]**, **[AM1]**, or **[AM1]**.

Search for a radio station

Search for a radio station automatically

Press \blacktriangleleft or \blacktriangleright to search for the previous or next radio station with strong signals.

- ↳ **[SEEK--]** or **[SEEK+]** is displayed until the previous or next strong station is detected.

Search for a radio station manually

- 1 Press and hold \blacktriangleleft or \blacktriangleright until the frequency digit flashes.
- 2 Press \blacktriangleleft or \blacktriangleright repeatedly until the target frequency is displayed.

Store radio stations in memory

You can store up to 6 stations in each band.

Store stations automatically

- 1 In radio mode, press and hold **DBB/AS** until **[STORE - - -]** is displayed.
- 2 Press \odot to confirm.
 - ↳ The six strongest stations of the selected band are saved in preset channel automatically.
 - To select a stored radio station, press the numeric button directly.

Store stations manually

- 1 Press ▲ / ▼ repeatedly to select a tuner band.
- 2 Tune to a radio station that you want to store.
- 3 Press a numeric button for 3 seconds.
 - ↳ The station is saved in the selected channel.
 - To select a stored radio station, press the numeric button directly.

Play with RDS

The RDS (Radio Data System) function operates only in areas with FM stations broadcasting RDS signals. If you tune to an RDS station, the station name are displayed.

Enable the RDS function



Note

- The default setting for RDS is on.

- 1 Press **MENU**.
- 2 Press ▲ or ▼ repeatedly until **[RDS]** is displayed.
- 3 Rotate Ⓞ to select **[RDS ON]**.
 - ↳ The RDS function is turned on.

Select program type

Before tuning to RDS stations, you can select program type and let the unit search only for programs of the selected category.

- 1 Press **MENU**.
- 2 Press ▲ or ▼ repeatedly until **[PTY]** is displayed.
- 3 Press Ⓞ to confirm.

- 4 Rotate Ⓞ to select a type, then press Ⓞ to confirm.

Item	Program type	Description
1	NEWS	News services
2	AFFAIRS	Politics and current affairs
3	INFO	Special information programs
4	SPORT	Sports
5	EDUCATE	Education and advanced training
6	DRAMA	Radio plays and literature
7	CULTURE	Culture, religion and society
8	SCIENCE	Science
9	VARIED	Entertainment programs
10	POP M	Pop music
11	ROCK M	Rock music
12	EASY M	Light music
13	LIGHT M	Light classical music
14	CLASSICS	Classical music
15	OTHER M	Special music programs
16	WEATHER	Weather
17	FINANCE	Finance
18	CHILDREN	Children's programs
19	SOCIAL	Social Affairs
20	RELIGION	Religion
21	PHONE IN	Phone In
22	TRAVEL	Travel
23	LEISURE	Leisure
24	JAZZ	Jazz Music
25	COUNTRY	Country Music
26	NATION M	National Music
27	OLDIES	Oldies Music
28	FOLK M	Folk Music
29	DOCUMENT	Documentary
30	TEST	Alarm Test
31	ALARM	Alarm

Use alternate frequencies

If the radio signal is poor, turn on AF (Alternate Frequency) to search for another station with stronger signal.

- 1 Press **MENU**.
- 2 Press **▲** or **▼** repeatedly until **[AF]** is displayed.
- 3 Rotate **⊙** to select a setting:
 - **[AF ON]**: turn AF mode on.
 - **[AF OFF]**: turn AF mode off.

Set region for AF tuning

You can define AF tuning region:

[REG ON]	Only stations in current region can be tuned to automatically.
[REG OFF]	All stations can be tuned to automatically.

- 1 Press **MENU**.
- 2 Press **▲** or **▼** repeatedly until **[REG]** is displayed.
- 3 Rotate **⊙** to select a setting.

Receive traffic announcement

If you do not want to miss traffic announcement when enjoying music, turn on the TA (Traffic Announcement) function.

- 1 Press **MENU**.
- 2 Press **▲** or **▼** repeatedly until **[TA]** is displayed.
- 3 Rotate **⊙** to select a setting:
 - **[TA ON]**: when there is traffic announcement, the unit switches to the tuner mode (regardless of the current mode) and begins to broadcast the traffic conditions. When the traffic announcement is over, it returns to the previous mode.
 - **[TA OFF]**: traffic announcement does not cut in.

Note

- If the current received TA signal remains weak for over 120 seconds, the unit will activate TA Seek mode automatically. The TA Seek will seek for other station with good condition of TA signal.

Tip

- When a traffic announcement cuts in, user can short press **↵** to terminate the traffic announcement, and the unit will resume to previous playback mode.

Synchronize the system clock

You can synchronize the system clock with an RDS station that transmits time signals.

- 1 Press **MENU**.
- 2 Press **▲** or **▼** repeatedly until **[CT]** is displayed.
- 3 Rotate **⊙** to select a setting:
 - **[CT ON]**: turn on the RDS clock. Time shown on the unit synchronizes with that on the RDS station.
 - **[CT OFF]**: turn off the RDS clock.

Tip

- The accuracy of the transmitted time depends on the RDS station that transmits the time signal.

6 Play from hard media

You can use this system to listen to audios that are stored on a compatible disc or USB storage device.

Play from a Disc

Note

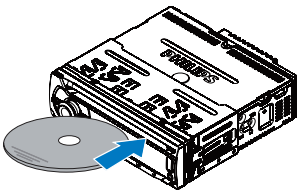
- You cannot play CDs encoded with copyright protection technologies.

You can play commercially available audio CDs and these discs:

- CD-Recordables (CD-R)
- CD-Re-writables (CD-RW)
- MP3 CDs
- WMA CDs

Note

- Ensure that the disc contains playable content.



- Insert the disc into the disc slot with the label side facing up.
 - Play starts automatically.
 - If play does not start automatically, press **▶||** to start play.
- To eject the disc, press **▲**.
 - When the disc is ejected, the system switches to the previous source or radio mode.

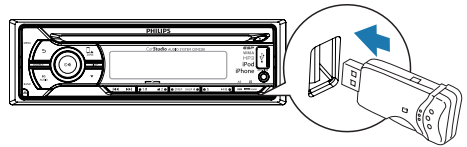
Play from USB storage device

Note

- Ensure that the USB device contains playable music.

Insert the USB device

- Slide the USB socket cover marked **▶▶** to the left.
- Insert the USB device into the USB socket.
 - The unit starts playing from the USB device automatically.



Remove the USB device

- Press **⊖** to turn off the unit.
- Remove the USB device.

Control play

Button	Function
▲ / ▼	Press repeatedly to select a folder.
▶ 	Pause or resume play.
◀◀ / ▶▶	Press to play the previous or next track.
◀◀◀ / ▶▶▶	Press and hold to rewind a track or search forward fast.
DISP	Press repeatedly to display available information about the current track.

Button	Function
REP	Press repeatedly to select a repeat mode: <ul style="list-style-type: none"> • [REP TRK] (repeat one track): play current track repeatedly. • [REP FLD] (repeat a folder): play all tracks in the current folder repeatedly. • [REP ALL] (repeat all tracks): play all tracks repeatedly.
SHUF	Press repeatedly to select a play mode: <ul style="list-style-type: none"> • [SHUF FLD]: start random play for all tracks in the current folder. • [SHUF ALL]: start random play for all tracks. • [SHUF OFF]: cancel shuffle play.

Switch tracks

During play, you can switch tracks or folders quickly.

Switch tracks directly

- 1 Press **⏮** to access the track list.
 - ↳ The file name of current track scrolls.
- 2 Rotate **⏮** to toggle through tracks.
- 3 Press **⏮** to play the selected track.

Switch folders for a track

- 1 Press **⏮** to access the folder list.
 - ↳ The name of current folder scrolls.
- 2 Rotate **⏮** to toggle through folders.
- 3 Press **⏮** to select the folder.
 - ↳ The system starts playing the first track under the folder.

7 Play from iPod/iPhone

You can enjoy audio from iPod/iPhone through this unit.

Compatible iPod/iPhone

Apple iPod and iPhone models with a 30-pin dock connector or lightning connector:

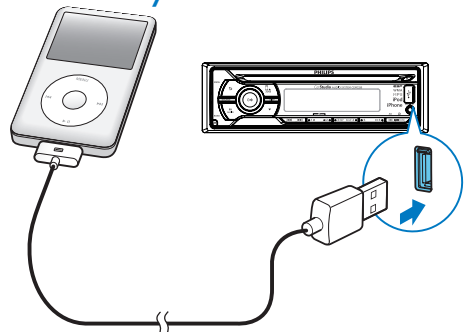
Made for:

- iPod nano (2nd generation)
- iPod nano (3rd generation, 4GB only)
- iPod nano (3rd generation, 8GB only)
- iPod nano (4th, 5th and 6th generation)
- iPod nano (7th generation)
- iPod classic (1st and 2nd generation)
- iPod touch (1st, 2nd, 3rd, and 4th generation)
- iPod touch (5th generation)
- iPod video (30GB, 80GB only)

Works with

- iPhone
- iPhone 3G, iPhone 3GS
- iPhone 4, iPhone 4S
- iPhone 5

Connect your iPod/iPhone



Connect an Apple 30-pin or lightning USB cable to:

- the USB socket on the front panel of this system, and
- your iPod/iPhone.
 - ↳ **[iPod/USB]** is displayed.
 - ↳ The system starts playing tracks that are stored on your iPod/iPhone.



Note

- Before you disconnect the iPod/iPhone, switch the system to another source.

Control play

Button	Function
	Press repeatedly to select a control mode: control play on your iPod/iPhone, or on the system.
	Press to pause or resume play.
	Press to play the previous or next track.
	Press and hold to rewind a track or search forward fast.
DISP	Press repeatedly to display available information about the current track.
REP	Press repeatedly to select a repeat mode: <ul style="list-style-type: none"> • [REP TRK]: repeat the current track, or • [REP ALL]: repeat all tracks.
SHUF	Press repeatedly to select a play mode: <ul style="list-style-type: none"> • [SHU ALL]: play all tracks randomly, • [SHU ALBM]: play tracks in the current album randomly, or • [SHU OFF]: play all tracks in the iPod/iPhone library in sequence.

Search for a track on iPod/iPhone

- 1 Press **SOURCE** repeatedly to select iPod mode.
- 2 Press to browse iPod/iPhone menu.
- 3 Rotate to select the artist search mode, and press to confirm.
- 4 Press **DISP** to search alphabetically.
- 5 Rotate to select artist, then press to confirm.
- 6 Rotate to select song in current album.
- 7 Press to start play.



Note

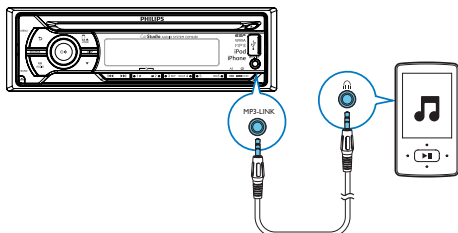
- You cannot control the music via iPod/iPhone under audio control mode.

Charge your iPod/iPhone

Once the iPod/iPhone is docked and recognized, the charging starts.

8 Connect external sound source

- 1 Connect the external sound source to **MP3 LINK** socket with a 3.5 mm cable.



- 2 Press **SOURCE** repeatedly until **[MP3--LINK]** is displayed.
- 3 Operate the external component (refer to the instructions supplied with the external component).

9 Adjust sound

The following operations are applicable to all supported media.

Button	Function
⊖ / 🔊	Rotate to increase or decrease the volume level.
⊖ / 🔊	Press to mute or restore sound.
MAX SOUND / ⊕	Press to enable or disable the maximum volume.
DBB/AS	Press to enable or disable the Dynamic Bass Boost (DBB) effect.
EQ AUDIO	<p>Press repeatedly to select a sound equalizer.</p> <ul style="list-style-type: none"> • [OPTIMAL] (optimal) • [FLAT] (flat) • [POP] (pop) • [USER] (user) • [TECHNO] (techno) • [ROCK] (rock) • [CLASSIC] (classic) • [JAZZ] (jazz)
EQ AUDIO	<ol style="list-style-type: none"> 1 Press and hold to activate the setup of customized sound equalizer: 2 Press ▲ or ▼ repeatedly to select the item to be adjusted: <ul style="list-style-type: none"> • [BALANCE] (balance) range: 12L to 12R. (L=left speaker; R=right speaker) • [FADER] (fader) range: 12R to 12F. (R=rear speaker; F=front speaker) • [BASS] (bass) range: -7 to +7. • [TREBLE] (treble) range: -7 to +7. 3 Rotate ⊖ to adjust the setting.

10 Adjust system settings

- 1 Press **MENU** to access system settings.
- 2 Press **▲** or **▼** repeatedly until one of the following settings scrolls.
 - **[BEEP]**, **[DIMMER]**, **[DEMO]**, **[BLACK OUT]**, or **[DANCE]**
- 3 Rotate **⊖** to change the setting.

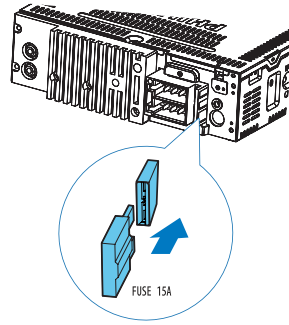
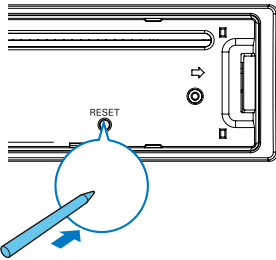
[BEEP]	[BEEP ON]	Enable the beep sound of buttons.
	[BEEP OFF]	Disable the beep sound of buttons.
[DIMMER]	[DIMMER HIGH]	Increase the brightness level of the screen.
	[DIMMER LOW]	Decrease the brightness level of the screen.
[DEMO]	[DEMO ON]	Demonstrate all features after the system stays inactive for 2 minutes.
	[DEMO OFF]	Disable the demo mode.
[BLACK OUT]	[BKO 10 S]	Turn off the screen automatically 10 seconds after last operation.
	[BKO 20 S]	Turn off the screen automatically 20 seconds after last operation.
	[BKO OFF]	Never turn off the screen.
[DANCE]	[DANCE ON]	Enable the spectrum on the LCD display.
	[DANCE OFF]	Disable the spectrum on the LCD display.

11 Additional information

Reset

You can reset the unit to its default setting.

- 1 Detach the front panel.
- 2 Press the **RESET** button with the tip of a ball-point pen or toothpick.
 - ↳ All settings are reset to factory default.



Note

- If the new fuse gets damaged again, there may be an internal malfunction. Consult your Philips dealer.

Replace fuse

If there is no power, check the fuse and replace if it is damaged.

- 1 Check the electric connection.
- 2 Remove the damaged fuse from the rear panel.
- 3 Insert a new fuse with the same specification (15A).

12 Product information



Note

- Product information is subject to change without prior notice.

Power supply	12V DC (11V - 16V), negative ground
Fuse	15 A
Suitable speaker impedance	4 - 8 Ω
Maximum power output	50 W \times 4
Continuous power output	21 W \times 4 RMS (4 Ω 10% T.H.D.)
Pre-Amp output voltage	2.5V
Aux-in level	500 mV
Dimensions (W \times H \times D)	181.5 \times 52 \times 191.4 mm
Weight	1.47 kg

Radio

Frequency range - FM	65.0 - 74.0 MHz and 87.5 - 108.0 MHz (100kHz per step in auto search and 50kHz per step in manual search)
Usable sensitivity - FM (S/N = 20 dB)	8 μ V
Frequency range - AM(MW)	522 - 1620 KHz (9 kHz) 530 - 1710 kHz (10 kHz)
Usable sensitivity - AM(MW) (S/N = 20 dB)	30 μ V

Compatible USB devices:

- USB flash memory: USB 1.1 host with interface reading all speed support (1.1, 2.0)
- USB flash players: USB 1.1 host with interface reading all speed support (1.1, 2.0)

Supported formats:

- USB or memory file format: FAT12, FAT16, FAT32
- For USB storage devices: MP3 bit rate (data rate): 32-320 Kbps and variable bit rate
- WMA V4,V7,V8,V9 (L1, L2)
- MP3 sampling frequencies: 8-48 kHz
- For Disc: MP3 Bit-rates: 8~320 (kbps), variable bit rates
- WMA sampling frequencies: 32 kHz, 44.1 kHz, 48 kHz
- WMA Bit-rates: 32~192 (kbps), variable bit rates
- Directory nesting up to a maximum of 8 levels
- Number of albums/folders: CD maximum 99, USB or memory maximum 99

- Number of tracks/titles: CD maximum 999 (depending on number of album), USB or memory maximum 999
- ID3 tag v2.0 or later

Unsupported formats:

- Empty albums: an empty album is an album that does not contain MP3/WMA files, and is not be shown in the display.
- Unsupported file formats are skipped. For example, Word documents (.doc) or MP3 files with extension .dlf are ignored and not played.
- AAC, WAV, PCM audio files
- DRM protected WMA files (.wav, .m4a, .m4p, .mp4, .aac)
- WMA files in Lossless format

13 Troubleshooting



Caution

- Never remove the casing of this apparatus.

To keep the warranty valid, never try to repair the system yourself.

If you encounter problems when using this apparatus, check the following points before requesting service. If the problem remains unsolved, go to the Philips web site (www.philips.com/support). When you contact Philips, ensure that your apparatus is nearby and the model number and serial number are available.

No power or no sound.

- Car engine is not on. Turn the car engine on.
- Cable is not correctly connected. Check connections.
- Fuse is burnt. Replace fuse.
- Volume is too low. Adjust volume.
- If the above solutions cannot help, press **RESET** button.
- Ensure that the track played is of a compatible format.

Noise in broadcasts.

- Signals are too weak. Select other stations with stronger signals.
- Check the connection of the car antenna.
- Change broadcast from Stereo to mono.

Cannot play disc

- Ensure that the disc label is inserted with the printed side facing up.
- Wipe the disc with fibre cleaning cloth from the centre to the edge in a straight line.
- This disc may be defective. Play another disc.
- Ensure that the CD is a finalised CD/CD-R/CD-RW.

- Ensure that the CD is not encoded with copyright protection technologies.

The CD skips tracks

- Ensure that the CD is not damaged or dirty.
- Ensure that random mode is deactivated.

Disc cannot be ejected

- Press and hold ▲.

Preset stations lost.

- Battery cable is not correctly connected. Connect the battery cable to the terminal that is always live.

Display show ERR-12

- USB data error: Check the USB device.

14 Glossary

M

MP3

A file format with a sound data compression system. MP3 is the abbreviation of Motion Picture Experts Group 1 (or MPEG-1) Audio Layer 3. With the MP3 format, one CD-R or CD-RW can contain about 10 times more data than a regular CD.

R

RDS (Radio Data System)

RDS tuners can automatically tune in stations according to the types of music (or talk) they broadcast. RDS also enables a receiver to display text messages and even graphics (usually call letters and format information) that many FM stations include on a sub-carrier signal within their normal broadcast signal. Some RDS equipped tuners can even override with traffic alerts or emergency broadcasts, during playback of other media - CD MD, or cassette. There are other useful features too, many of which are offered by the growing number of RDS stations.

W

WMA (Windows Media Audio)

An audio format owned by Microsoft, is a part of Microsoft Windows Media technology. Includes Microsoft Digital Rights Management tools, Windows Media Video encoding technology, and Windows Media Audio encoding technology.



Specifications are subject to change without notice.
2013 © WOOX Innovations Limited. All rights reserved.
This product was brought to the market by WOOX Innovations Limited or one of its affiliates, further referred to in this document as WOOX Innovations, and is the manufacturer of the product. WOOX Innovations is the warrantor in relation to the product with which this booklet was packaged. Philips and the Philips Shield Emblem are registered trademarks of Koninklijke Philips N.V.

CEM2250_51_UM_V2.0

