

PHILIPS

PX3

CD Soundmachine

User manual



Register your product and get support at
www.philips.com/support

Contents

1	Safety	2
----------	---------------	----------

2	Your CD Soundmachine	3
	Introduction	3
	What's in the box	3
	Overview of the main unit	4

3	Get started	5
	Connect power	5
	Turn on	6
	Turn off	6

4	Play	7
	Play CD	7
	Play from USB devices	7
	Play from an external device	7

5	Play options	8
	Control play	8
	Program tracks	9
	Adjust sound	9

6	Listen to FM/AM radio	9
	Tune to FM/AM radio stations	9
	Store radio stations automatically	9
	Store radio stations manually	10
	Select a preset radio station	10

7	Product information	10
	Specifications	10
	Supported MP3 disc formats	12
	USB playability information	12
	Maintenance	12

8	Troubleshooting	13
----------	------------------------	-----------

9	Notice	14
----------	---------------	-----------

1 Safety



Warning

- Never remove the casing of this apparatus.
- Never place this apparatus on other electrical equipment.
- Never look into the laser beam inside this apparatus.



Warning

- Never remove the casing of this apparatus.
- Never lubricate any part of this apparatus.
- Never look into the laser beam inside this apparatus.
- Never place this apparatus on other electrical equipment.
- Keep this apparatus away from direct sunlight, naked flames or heat.
- Ensure that you always have easy access to the power cord, plug or adaptor to disconnect the apparatus from the power.

- The device shall not be exposed to dripping or splashing.
- Do not place any source of danger on the device (e.g. liquid filled objects, lit candles).
- Where the MAINS plug or an appliance coupler is used as the disconnect device, the disconnect device shall remain readily operable.
- Make sure that there is enough free space around the product for ventilation.
- Battery usage CAUTION – To prevent battery leakage which may result in bodily injury, property damage, or damage to the unit:
 - Install all batteries correctly, + and - as marked on the unit.
 - Batteries (packed or installed) shall not be exposed to excessive heat such as sunshine, fire or the like.

- Remove batteries when the unit is not used for a long time.
- Only use attachments/accessories specified by the manufacturer.



Caution

- Use of controls or adjustments or performance of procedures other than herein may result in hazardous laser exposure or other unsafe operation.

2 Your CD Sound-machine

Introduction

With this CD Soundmachine, you can:

- listen to FM radio;
- enjoy audio from discs, tapes, USB storage device, and other external audio devices; and
- program the play sequence of tracks.

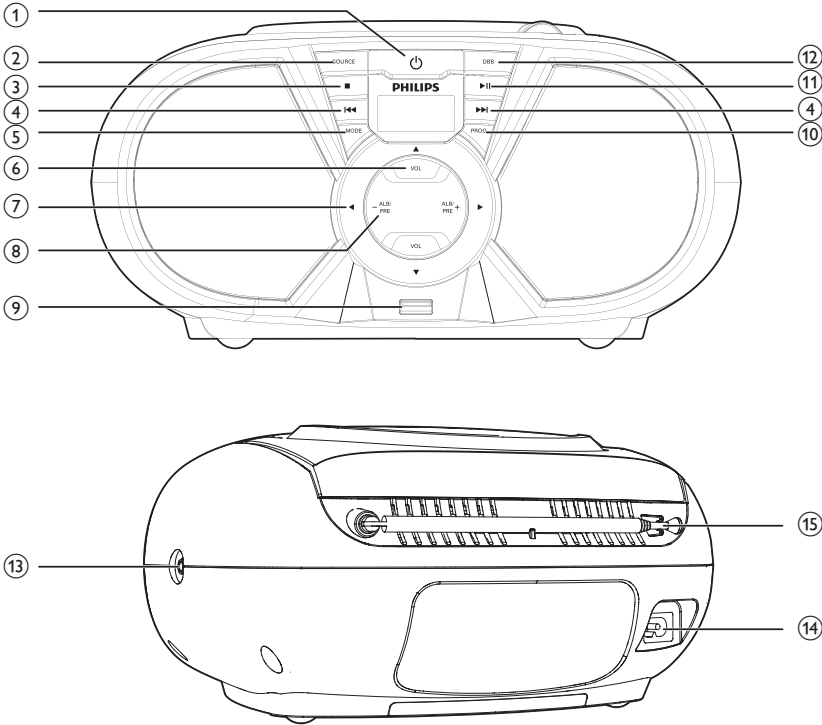
The CD sound machine offers you Dynamic Bass Boost (DBB) to enrich sound.

What's in the box

Check and identify the contents of the package:

- Main unit
- AC power cord
- Short User Manual
- The "Round to flat pin" adaptor

Overview of the main unit



- ① **⏻**
 - Turn the CD sound machine on or off.
- ② **SOURCE**
 - Select a source.
 - Turn the CD sound machine on or off.
- ③ **■**
 - Stop play.
 - Erase a program.
- ④ **⏮/⏭**
 - Skip to the previous or next track.
 - Search within a track.
- ⑤ **MODE**
 - Select repeat or shuffle mode.
- ⑥ **VOL ▲/VOL ▼**
 - Adjust volume.
- ⑦ **-ALB/PRE/ALB/PRE+**
 - Skip to the previous/next album.
 - Select a preset radio station.
- ⑧ **🔌**
 - Connect USB storage devices.
- ⑨ **PROG**
 - Program tracks.
 - Program radio stations.
 - Search for radio stations automatically.

- ⑩ **▶||**
 - Start or pause play.
- ⑪ **DBB**
 - Turn on or off dynamic bass enhancement.
- ⑫ **AUDIO-IN**
 - Connect an external audio device.
- ⑬ **AC MAINS ~ socket**
- ⑭ **FM antenna**
- ⑮ **Disc compartment**

3 Get started

Caution

- Use of controls or adjustments or performance of procedures other than herein may result in hazardous laser exposure or other unsafe operation.

Always follow the instructions in this chapter in sequence.

If you contact Philips, you will be asked for the model and serial number of your apparatus. The model number and serial number are on the bottom of your apparatus. Write the numbers here:

Model No. _____

Serial No. _____

Connect power

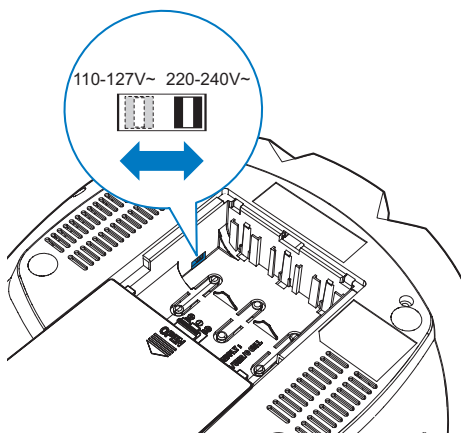
The unit can be powered by either AC power or batteries.

Option 1: AC power

Warning

- Risk of product damage! Make sure that the power supply voltage corresponds to the voltage printed on the back or the underside of the unit.
- Risk of electric shock! When you disconnect the AC power, always pull the plug from the socket. Never pull the cord.

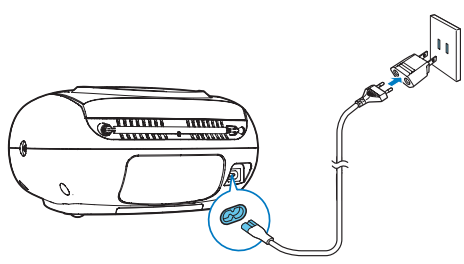
- 1 Switch the voltage selector in the battery compartment according to your local power supply.



- 2 Connect the AC power cord to:
- the **AC~ MAINS** socket on the CD sound machine.
 - the wall socket.

 **Tip**

- To save energy, turn the CD sound machine off after use.



Option 2: Battery power

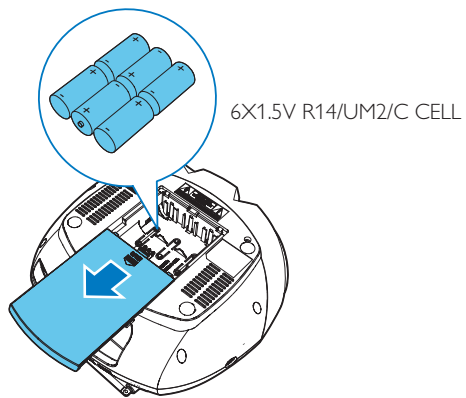
 **Caution**

- Batteries contain chemical substances, so they should be disposed of properly.

 **Note**

- Batteries are not supplied with the accessories.

- 1 Open the battery compartment.
- 2 Insert 6 batteries (type: R-14, UM-2 or C-cells) with correct polarity (+/-) as indicated.
- 3 Close the battery compartment.



Turn on

- Press **⏻**.
- ↳ The CD sound machine switches to the last selected source.

 **Tip**

- To select a source, press **SOURCE** repeatedly.

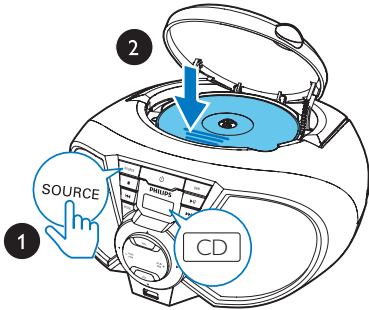
Turn off

- Press **⏻** again.
- ↳ The CD sound machine turns off.

4 Play

Play CD


- 1 Press **SOURCE** repeatedly to select the disc source.
- 2 Open the CD compartment.
- 3 Insert a disc with the printed side facing up, then close the disc tray.
↳ Play starts automatically.

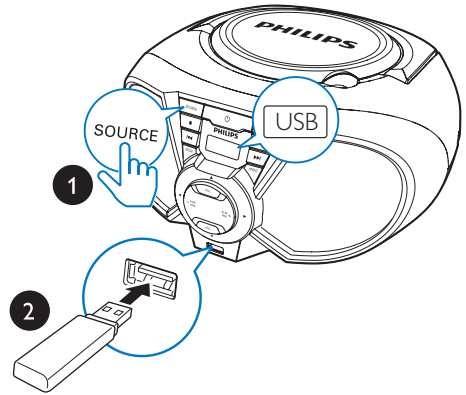


Play from USB devices

Note

- Make sure that the USB device contains playable audio content.

- 1 Press **SOURCE** repeatedly to select the USB source.
- 2 Insert the USB device into the  socket.
↳ Play starts automatically. If not, press **▶||**.



Play from an external device

You can also listen to an external audio device such as an MP3 player through the CD sound machine.

- 1 Press **SOURCE** repeatedly to select **AUX** source.
- 2 Connect an audio cable (3.5mm, not supplied) to:
 - the **AUDIO-IN** socket on the CD sound machine.
 - the headphone socket on an external device.
- 3 Play the external device (see the device's user manual).

5 Play options

Control play

In CD/USB mode, you can control play through the following operations.

⏮ / ⏭ Press and hold to fast-forward or fast-reverse the track during playback, then release to resume play.

-ALB/PRE/ALB/PRE+ Skip to the previous or next MP3 album.

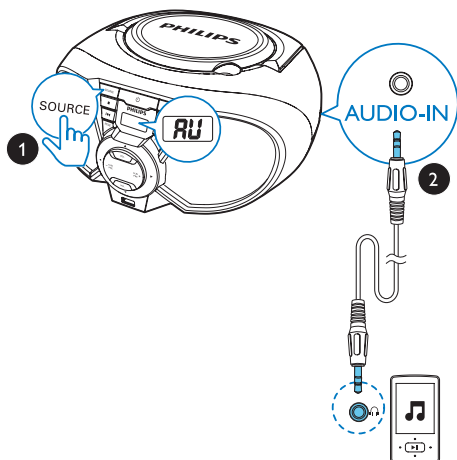
▶ || Start or pause play.

■ Stop play.

MODE **[REP]**: Play the current track repeatedly.
[REP ALL]: Play all tracks repeatedly.
[REP ALB]: Play all tracks in the current album repeatedly (for MP3 files).
[SHUF]: Play tracks randomly.
To return to normal play, press repeatedly until the repeat icons disappear.

Tip

- Only **[REP]** and **[REP ALL]** be selected when you play the programmed tracks.



Program tracks

In CD or USB mode, you can program a maximum of 20 tracks.

- 1 Press **■** to stop playback.
- 2 Press **PROG** to activate the program mode.
- 3 For MP3 tracks, press **-ALB/PRE/ALB/PRE+** to select an album.
- 4 Press **◀/▶** to select a track number, then press **PROG** to confirm.
- 5 Repeat steps 3-4 to program more tracks.
- 6 Press **▶||** to play the programmed tracks.
 - To erase the program, press **■** twice.

Adjust sound

During play, you can adjust volume and select the sound effects.

Key	Function
VOL ▲ / VOL ▼	Increase or decrease volume.
DBB	Turn dynamic bass enhancement on or off.

6 Listen to FM/AM radio

Tune to FM/AM radio stations

Note

- or optimal reception, fully extend and adjust the position of the FM antenna.

- 1 Press **SOURCE** repeatedly to select FM/AM radio.
- 2 Press and hold **◀/▶** for 2 seconds.
 - ↳ The unit tunes to a station with strong reception automatically.
- 3 Repeat step 2 to tune to more stations.

To tune to a radio station with weak signal:

Press **◀/▶** repeatedly until you find better reception.

Store radio stations automatically

Note

- You can program a maximum of 20 FM/AM radio stations.

In tuner mode, press and hold **PROG** for 2 seconds.

↳ **[AUTO]** (auto) is displayed.

↳ The CD sound machine stores all the available FM/AM radio stations.

↳ The first stored radio station is broadcast automatically.

Store radio stations manually

Note

- You can program a maximum of 20 FM radio stations.

- 1 Tune to an FM/AM radio station.
- 2 Press **PROG** to activate the storing mode.
- 3 Press **-ALB/PRE/ALB/PRE+** to allocate a number (1 to 20) to this radio station, then press **PROG** to confirm.
 - ↳ The preset number and the frequency of the preset station are displayed.
- 4 Repeat the above steps to store other stations.

Note

- To remove a pre-stored FM/AM radio station, store another station in its place.

Select a preset radio station

In FM/AM tuner mode, press **-ALB/PRE/ALB/PRE+** to select a preset number.

7 Product information

Note

- Product information is subject to change without prior notice.

Specifications

Amplifier

Max Output Power	2x 2.5W RMS
Frequency Response	63 -20000 Hz,
Signal to Noise Ratio	>67 dB
Total Harmonic Distortion	<1 %
Audio-in Input	600 mV RMS 20kohm

Disc

Laser Type	Semiconductor
Disc Diameter	12cm
Support Disc	CD-DA, CD-R, CD-RW, MP3-CD
Total Harmonic Distortion	<1%
Frequency Response	63 -20KHz
S/N Ratio	>72 dBA

Tuner (FM)

Tuning Range	87.5 – 108MHz
Tuning Grid	100 or 50 kHz (depending on different countries)
Preset Stations	20
-Mono, 26dB S/N Ratio	<22dBf
Search Selectivity	<45dBf
Total Harmonic Distortion	<3%
Signal to Noise Ratio	>50 dB

Dimensions

- Main Unit (W x H x D)	252 x 128 x 242 mm
Weight (Main Unit)	1.4 kg

Tuner (AM/MW)

Tuning Grid/Range	10 KHz / 530 – 1700KHz or 9 KHz / 522 – 1620 KHz (depending on different countries)
Preset Stations	20
Mono, 26dB S/N Ratio,	<75dBuV
Total Harmonic Distortion	<5%
Signal to Noise Ratio	>50 dB

General

Power Supply	
- AC Power	110-127V~, 220- 240V~, 50/60 Hz;
- Battery	9 V, 6 x 1.5 V, R-14/ UM-2/C-cells
Operation Power Consumption	15 W
Standby Power Consumption	<2 W

Supported MP3 disc formats

- ISO9660, Joliet
- Maximum title number: 512 (depending on file name length)
- Maximum album number: 255
- Supported sampling frequencies: 32 kHz, 44.1kHz, 48 kHz
- Supported Bit-rates: 32~256 (kbps), variable bit rates

USB playability information

Compatible USB devices:

- USB flash memory (USB 2.0 or USB1.1)
- USB flash players (USB 2.0 or USB1.1)
- memory cards (requires an additional card reader to work with this apparatus)

Supported formats:

- USB or memory file format FAT12, FAT16, FAT32 (sector size: 512 bytes)
- MP3 bit rate (data rate): 32-320 Kbps and variable bit rate
- Directory nesting up to a maximum of 8 levels
- Number of albums/ folders: maximum 99
- Number of tracks/titles: maximum 999
- File name in Unicode UTF8 (maximum length: 128 bytes)

Unsupported formats:

- Empty albums: an empty album is an album that does not contain MP3/WMA files, and is not be shown in the display.
- Unsupported file formats are skipped. For example, Word

documents (.doc) or MP3 files with extension .dlf are ignored and not played.

- AAC, WAV, PCM audio files
- DRM protected WMA files (.wav, .m4a, .m4p, .mp4, .aac)
- WMA files in Lossless format

Maintenance

Clean the cabinet

- Use a soft cloth slightly moistened with a mild detergent solution. Do not use a solution containing alcohol, spirits, ammonia or abrasives.

Clean discs

- When a disc becomes dirty, clean it with a cleaning cloth. Wipe the disc from the centre out.



- Do not use solvents such as benzene, thinner, commercially available cleaners, or antistatic spray intended for analogue records.

Clean the disc lens

- After prolonged use, dirt or dust may accumulate at the disc lens. To ensure good play quality, clean the disc lens with Philips CD lens cleaner or any commercially available cleaner. Follow the instructions supplied with cleaner.

8 Troubleshooting



Warning

- Never remove the casing of this device.

To keep the warranty valid, never try to repair the system yourself.

If you encounter problems when using this device, check the following points before requesting service. If the problem remains unsolved, go to the Philips Web page (www.philips.com/support). When you contact Philips, make sure that the device is nearby and the model number and serial number are available.

No power

- Ensure that the Mains cord is connected securely.
- Ensure that there is power at the AC Mains.
- Ensure that the batteries are inserted correctly.

No sound or poor sound

- Adjust the volume.

No response from the unit

- Disconnect and reconnect the AC power plug, then turn on the system again.
- As a power-saving feature, the unit switches off automatically 15 minutes after track play reaches the end and no control is operated.

Poor cassette sound quality

- Make sure that heads in the cassette holder are clean.

Remote control does not work

- Before you press any function button, first select the correct source with the remote control instead of the main unit.

- Reduce the distance between the remote control and the unit.
- Insert the battery with its polarities (+/- signs) aligned as indicated.
- Replace the battery.
- Aim the remote control directly at the sensor on the front of the unit.

USB device not supported

- The USB device is incompatible with the apparatus. Try another one.

No disc detected

- Insert a disc.
- Check if the disc is inserted upside down.
- Wait until the moisture condensation at the lens has cleared.
- Replace or clean the disc.
- Use a finalized CD or correct format disc.

Poor radio reception

- Increase the distance between the unit and your TV or other radiation sources.
- Fully extend the antenna.

9 Notice

Any changes or modifications made to this device that are not expressly approved by Gibson Innovations may void the user's authority to operate the equipment.

Disposal of your old product



Your product is designed and manufactured with high quality materials and components, which can be recycled and reused.

Do not throw away the product with the normal household waste at the end of its life, but hand it in at an official collection point or recycling. By doing this, you help to preserve the environment.

Environmental information

All unnecessary packaging has been omitted. We have tried to make the packaging easy to separate into three materials: cardboard (box), paper pulp (buffer) and polyethylene (bags, protective foam sheet.)

Your system consists of materials which can be recycled and reused if disassembled by a specialized company. Please observe the local regulations regarding the disposal of packaging materials, exhausted batteries and old equipment.

This apparatus includes these labels:



Class II equipment symbol



This symbol indicates that the apparatus has a double insulation system.

 **Be responsible**
Respect copyrights

The making of unauthorized copies of copy-protected material, including computer programs, files, broadcasts and sound recordings, may be an infringement of copyrights and constitute a criminal offence. This equipment should not be used for such purposes.



The USB-IF Logos are trademarks of Universal Serial Bus Implementers Forum, Inc.

Note

- The type plate is located on the bottom of the apparatus.



2016 © Gibson Innovations Limited. All rights reserved.

This product has been manufactured by, and is sold under the responsibility of Gibson Innovations Ltd., and Gibson Innovations Ltd. is the warrantor in relation to this product. Philips and the Philips Shield Emblem are registered trademarks of Koninklijke Philips N.V. and are used under license.

PX3115_55_UM_V2.0

