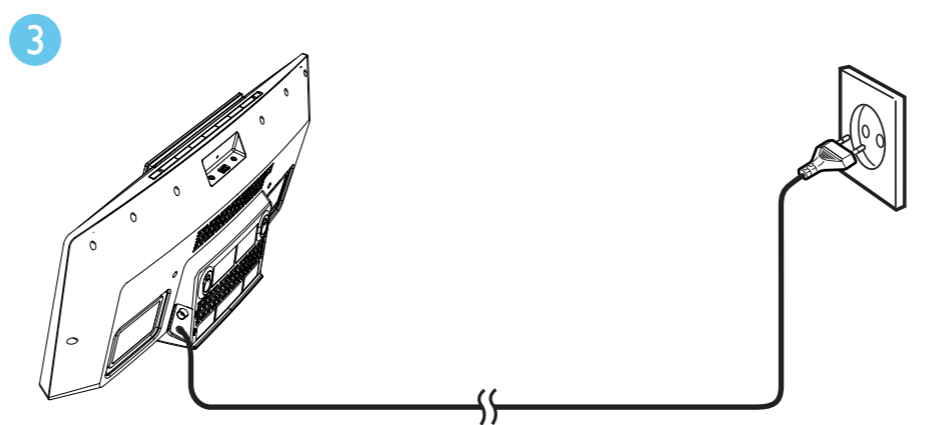
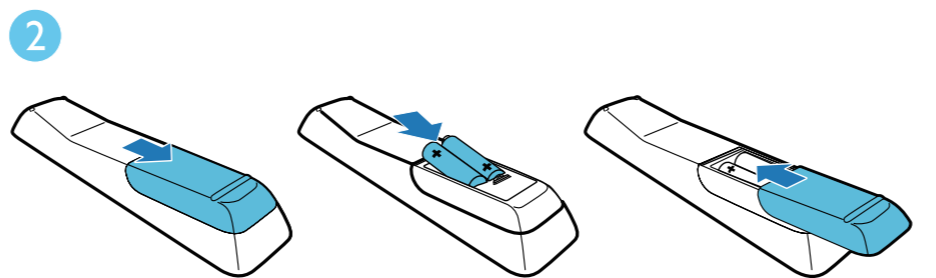
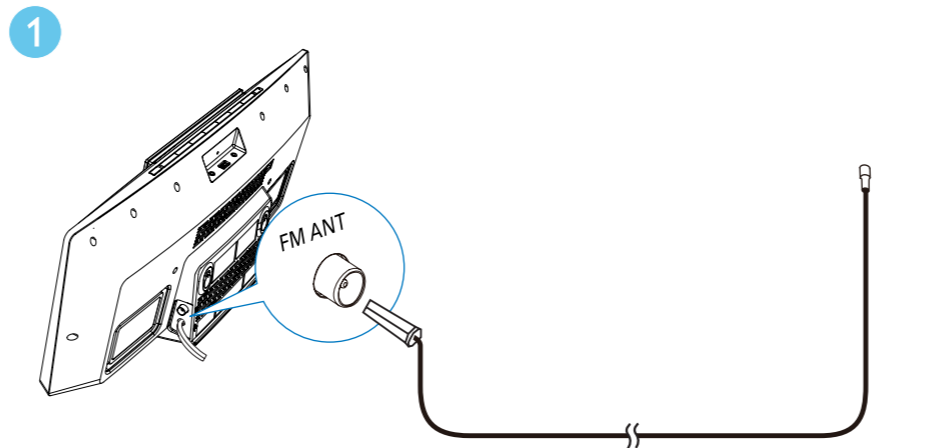
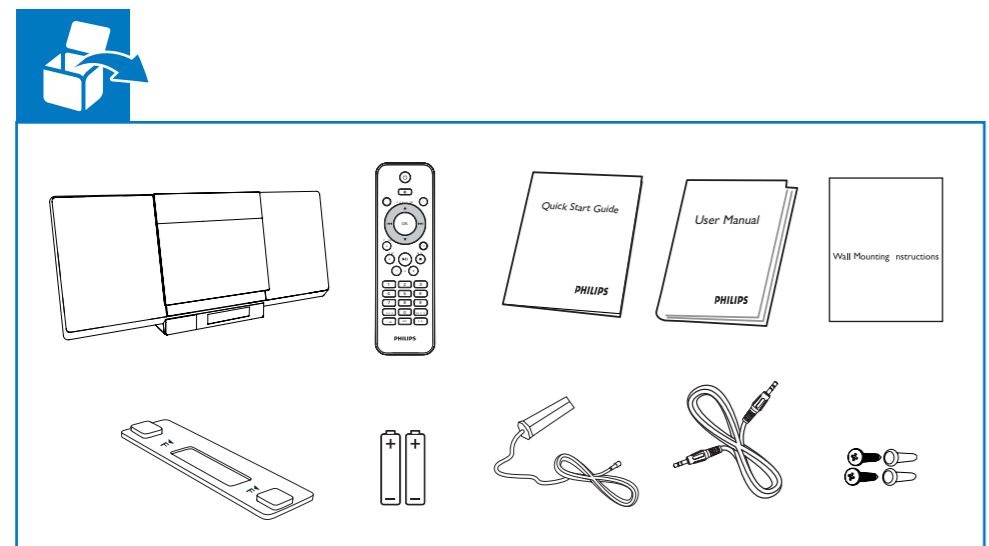
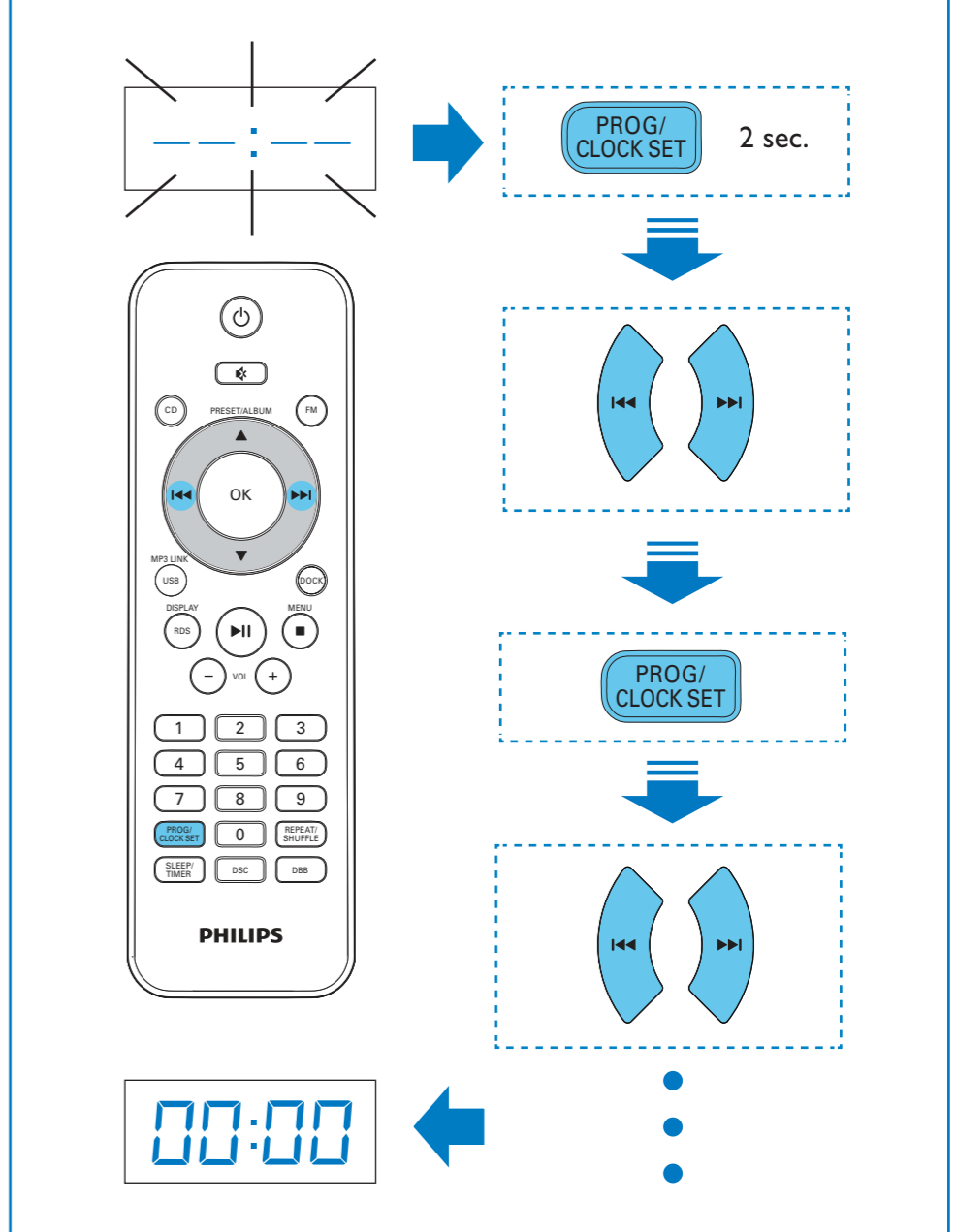


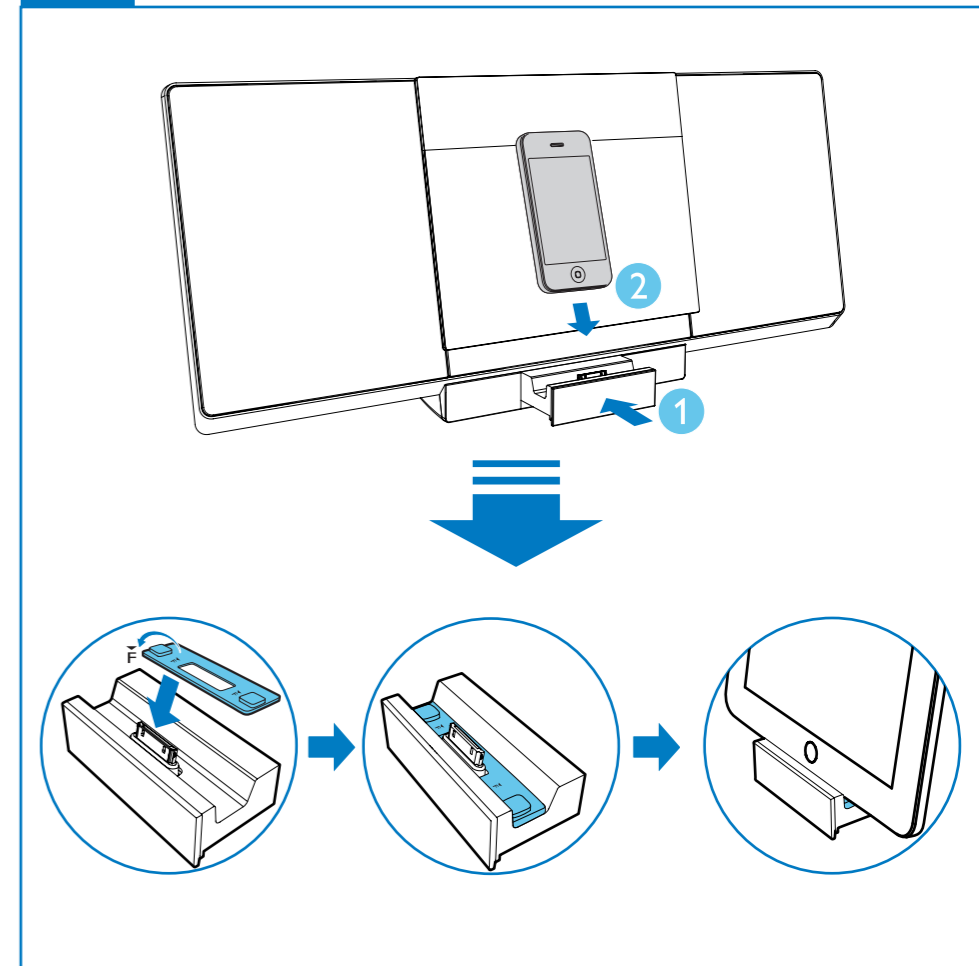
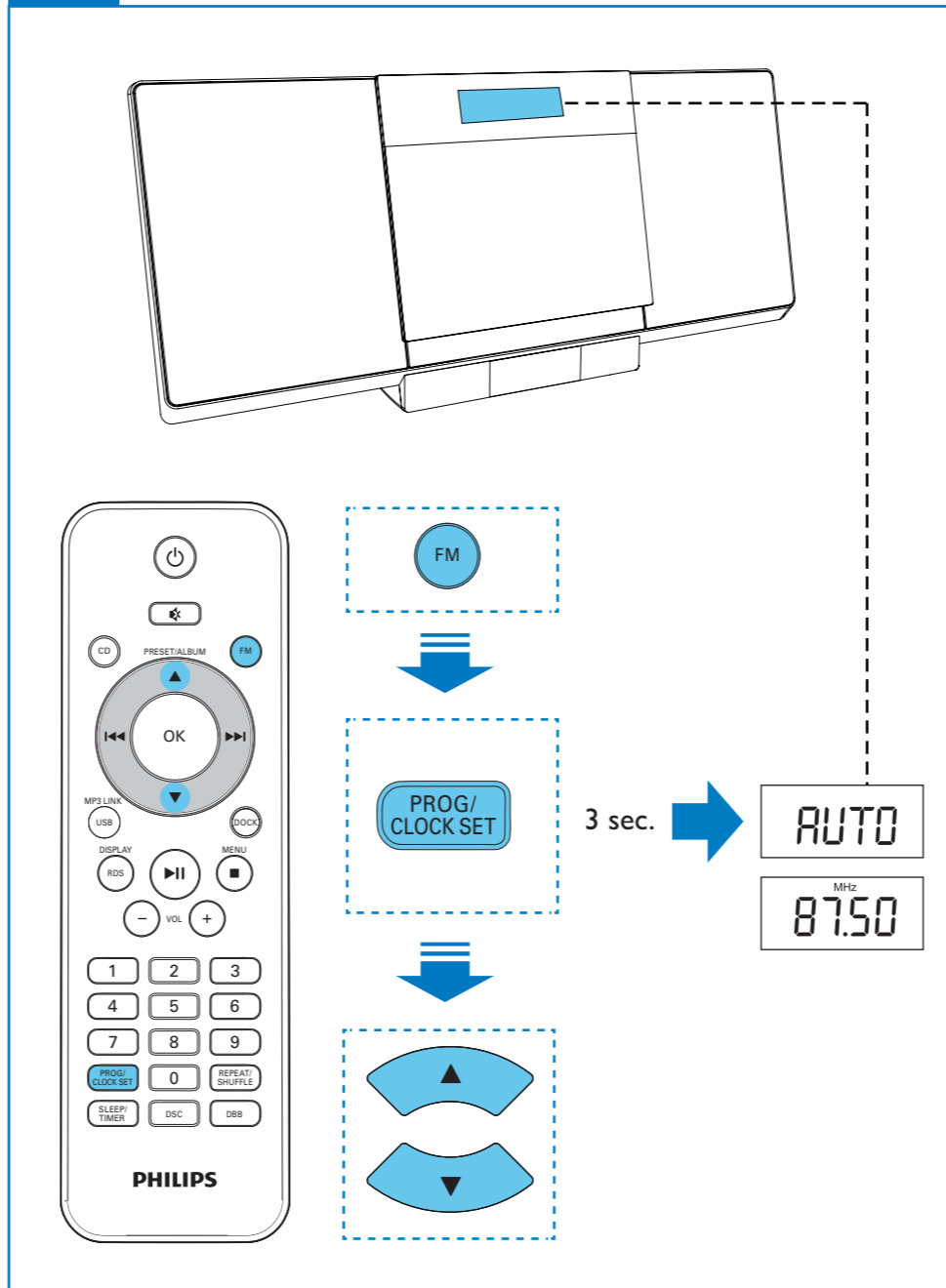
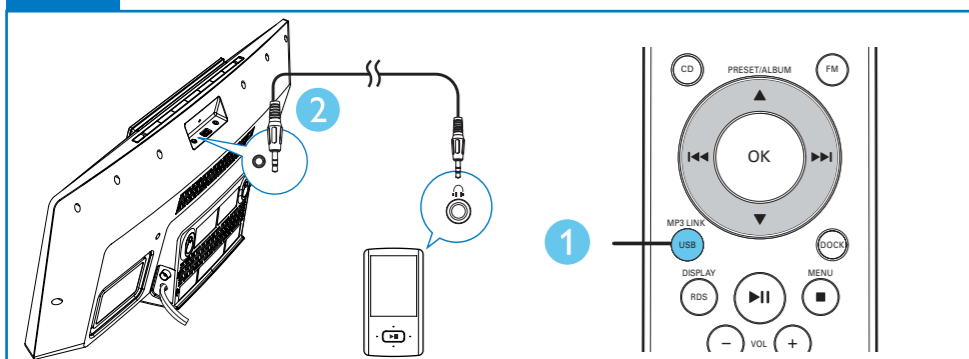
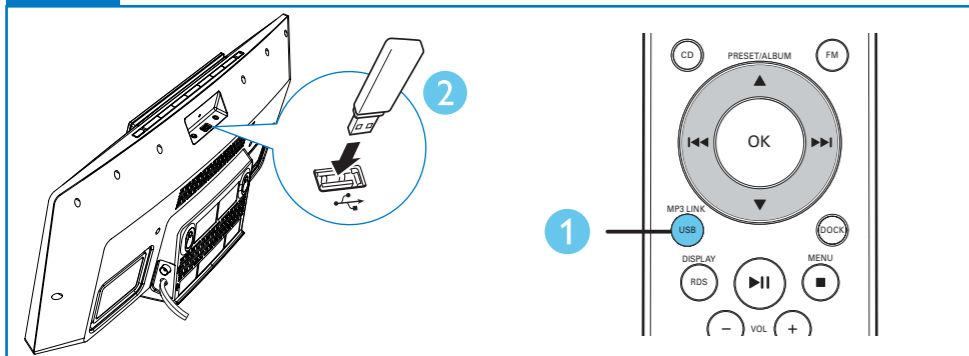
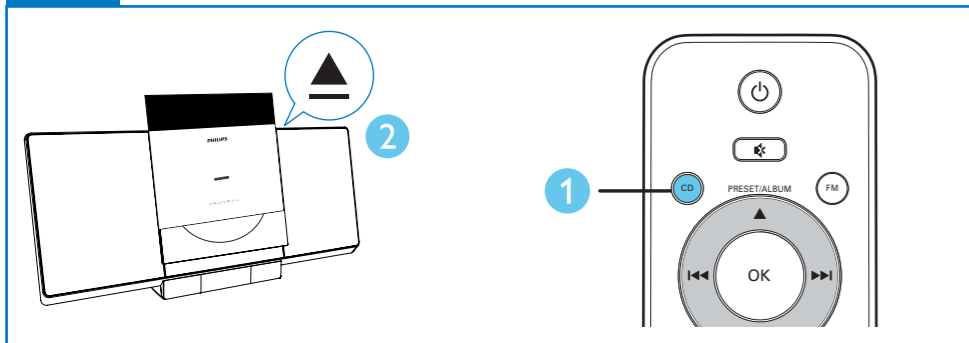


1



2





© 2011 Koninklijke Philips Electronics N.V.  
All rights reserved.

DCM3060\_12\_QSG\_V1.2

