

Always there to help you

Register your product and get support at
www.philips.com/welcome

AEA7000



User manual

PHILIPS

Contents

1 Important	2
Safety	2
Notice	3

2 Your Wireless Microphone and Bluetooth® Speaker	5
Introduction	5
What's in the box	5
Overview of the unit	5

3 Get started	7
Connect power	7
Switch on the Bluetooth® speaker	7
Install/replace microphone batteries	7

4 Play	9
Sing along through the wireless microphone	9
Play from a Bluetooth® enabled device	10
Play and charge your iPad through the dock connector directly	12
Play from an external device	12

5 Product information	13
Specifications	13

6 Troubleshooting	14
--------------------------	-----------

1 Important

Safety

- ① Read these instructions.
- ② Keep these instructions.
- ③ Heed all warnings.
- ④ Follow all instructions.
- ⑤ Do not use this product near water.
- ⑥ Clean only with dry cloth.
- ⑦ Do not block any ventilation openings. Install in accordance with the manufacturer's instructions.
- ⑧ Do not remove the casing of this product.
- ⑨ Do not expose the product to dripping / splashing water, rain or high humidity.
- ⑩ Keep this product away from direct sunlight, naked flames or heat.
- ⑪ Do not install near any heat sources such as radiators, heat registers, stoves, or other electrical equipment (including amplifiers).
- ⑫ Do not place any other electrical equipment on the product.
- ⑬ Do not place any sources of danger on the product (e.g. objects containing liquids, burning candles).
- ⑭ This product may include batteries. Please refer to safety and disposal instructions for batteries in this user manual.

- ⑮ Where the mains plug or an appliance coupler is used as the disconnect device, the disconnect device shall remain readily operable.



Warning

- Never remove the casing of this apparatus.
- Never lubricate any part of this apparatus.
- Never place this apparatus on other electrical equipment.
- Keep this apparatus away from direct sunlight, naked flames or heat.
- Ensure that you always have easy access to the power cord, plug or adaptor to disconnect this apparatus from the power.

Risk of overheating! Never install this apparatus in a confined space. Always leave a space of at least four inches around this apparatus for ventilation. Ensure curtains or other objects never cover the ventilation slots on this apparatus.

Mains fuse

This information applies only to products with a UK mains plug.

This product is fitted with an approved molded plug. If you replace the fuse, use one with:

- the ratings shown on the plug,
- a BS 1362 approval, and
- the ASTA approval mark.

Contact your dealer if you are not sure about what type of fuse to use.

Caution: To conform with the EMC directive (2004/108/EC), do not detach the plug from the power cord.

Notice

Any changes or modifications made to this device that are not expressly approved by WOOX Innovations may void the user's authority to operate the equipment.

Specifications are subject to change without notice. WOOX reserves the right to change products at any time without being obliged to adjust earlier supplies accordingly.



Your product is designed and manufactured with high quality materials and components, which can be recycled and reused.



Never dispose of your product with other household waste. Please inform yourself about the local rules on the separate collection of electrical and electronic products and batteries. The correct disposal of these products helps prevent potentially negative consequences on the environment and human health.

Your product contains batteries, which cannot be disposed of with normal household waste.



Please inform yourself about the local rules on separate collection of batteries. The correct disposal of batteries helps prevent potentially negative consequences on the environment and human health.

Please visit www.recycle.philips.com for additional information on a recycling center in your area.

Information about the use of batteries:



Caution

- Risk of leakage: Only use the specified type of batteries. Do not mix new and used batteries. Do not mix different brands of batteries. Observe correct polarity. Remove batteries from products that are not in use for a longer period of time. Store batteries in a dry place.
- Risk of injury: Wear gloves when handling leaking batteries. Keep batteries out of reach of children and pets.
- Risk of explosion: Do not short circuit batteries. Do not expose batteries to excessive heat. Do not throw batteries into the fire. Do not damage or disassemble batteries. Do not recharge non-rechargeable batteries.

Environmental information

All unnecessary packaging has been omitted. We have tried to make the packaging easy to separate into three materials: cardboard (box), polystyrene foam (buffer) and polyethylene (bags, protective foam sheet.)

Your system consists of materials which can be recycled and reused if disassembled by a specialized company. Please observe the local regulations regarding the disposal of packaging materials, exhausted batteries and old equipment.

Philips and the Philips' Shield Emblem are registered trademarks of Koninklijke Philips N.V. and are used by WOOX Innovations Limited under license from Koninklijke Philips N.V.

Made for



“Made for iPad” means that an electronic accessory has been designed to connect specifically to iPad, and has been certified by the developer to meet Apple performance standards. Apple is not responsible for the operation of this device or its compliance with safety and regulatory standards. Please note that the use of this accessory with iPad may affect wireless performance.

iPad is a trademark of Apple Inc., registered in the U.S. and other countries.

The Bluetooth® word mark and logos are registered trademarks owned by Bluetooth SIG, Inc. and any use of such marks by Philips is under license.



Note

- The type plate is located on the back of the unit.

2 Your Wireless Microphone and Bluetooth® Speaker

Congratulations on your purchase, and welcome to Philips! To fully benefit from the support that Philips offers, register your product at www.philips.com/welcome.

If you contact Philips, you will be asked for the model and serial number of this apparatus. The model number and serial number are on the back of the apparatus. Write the numbers here:

Model No. _____

Serial No. _____

Introduction

With the Philips wireless microphone and Bluetooth® speaker, you can:

- dock your iPad onto the speaker to sing along with music from the app (**The Voice: On Stage**) through the wireless microphone.

With the Bluetooth® speaker, you can:

- play music from a Bluetooth® enabled device that supports A2DP (Advanced Audio Distribution Profile).
- charge or play music from your iPad directly through the dock connector.
- play music from other audio devices through the **AUDIO-IN** socket.

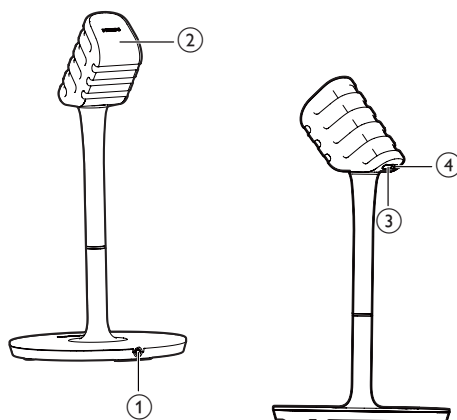
What's in the box

Check and identify the contents of your package:

- Wireless microphone
- Bluetooth® speaker
- AC power cord
- 3 X AAA batteries
- Quick start guide
- Safety sheet

Overview of the unit

Wireless microphone



① Line out socket

- (To use the microphone separately) connect to the MIC input socket of an existing Hi-Fi system.

② Battery compartment

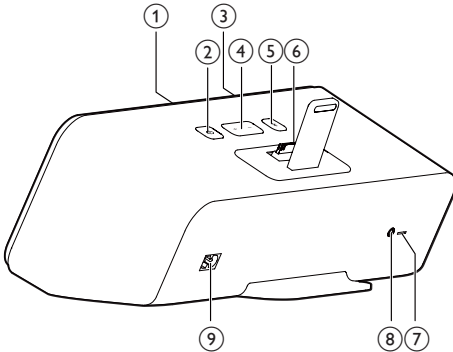
③ OFF/ON

- Switch the microphone on or off.

④ Power indicator

- Light up red when the wireless microphone is switched on.
- Flash red when the battery level is low.

Bluetooth® speaker



① Power indicator

- Indicate the power status.

② ①

- Turn the unit on/off.

③ Bluetooth® indicator

- Indicate the Bluetooth® status.

④ -/+

- Adjust volume.

⑤ *

- (Press) pair with a Bluetooth® enabled device that supports A2DP (Advanced Audio Distribution Profile).
- (Press and hold) pair with the wireless microphone in case automatic pairing fails.

⑥ Dock for iPad

⑦ SOFTWARE UPGRADE (not for use by end users)

⑧ AUDIO-IN

- Connect an external audio player through a 3.5mm audio input cable (not supplied).

⑨ AC MAINS~

- AC power socket.

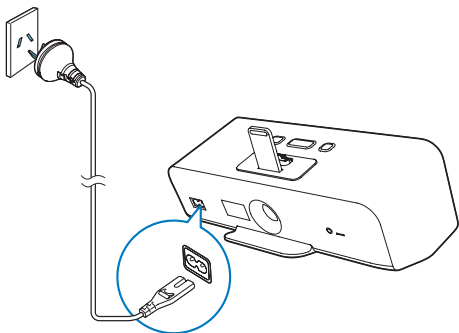
3 Get started

Always follow the instructions in this chapter in sequence.

Connect power

! Caution

- Risk of product damage! Make sure that the power supply voltage corresponds to the voltage printed on the back of the unit.
- Risk of electric shock! When you unplug the AC power cord, always pull the plug from the socket. Never pull the cord.
- Before you connect the AC power cord, make sure that you have completed all the other connections.



- Connect the AC power cord to
 - the **AC MAINS~** socket on the back of the Bluetooth® speaker.
 - the wall power socket.

Switch on the Bluetooth® speaker

- Press **⓪** on the top of the Bluetooth® speaker:
 - ↳ The power indicator lights up white.
 - ↳ The Bluetooth indicator flashes blue slowly.
- To switch the unit to standby mode, press **⓪** on the top panel.
- To switch the unit on from standby mode, press **⓪** again.

* Tip

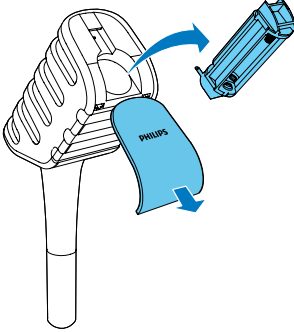
- If the speaker stays idle for more than 15 minutes, it switches to standby mode automatically.

Install/replace microphone batteries

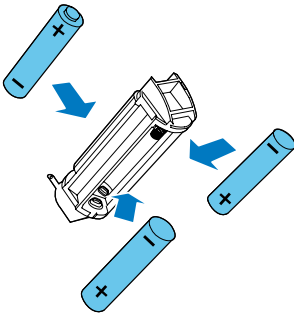
! Caution

- Risk of explosion! Keep batteries away from heat, sunshine, or fire. Never discard batteries in fire.
- Danger of explosion if batteries are incorrectly replaced. Replace only with the same or equivalent type.
- Batteries contain chemical substances, so they should be disposed of properly.

- 1 Open the battery compartment and take out the battery cartridge.



- 2 Insert 3 x AAA batteries (supplied) into the cartridge with correct polarity (+/-) as indicated.



- 3 Push back the battery cartridge, then close the battery compartment.

Note

- If you are not going to use the microphone for a long time, remove the batteries.
- New batteries installed in the microphone support up to 25 hours of continuous use.
- When the power indicator flashes red, it indicates that the power level is low and you need to replace the batteries.

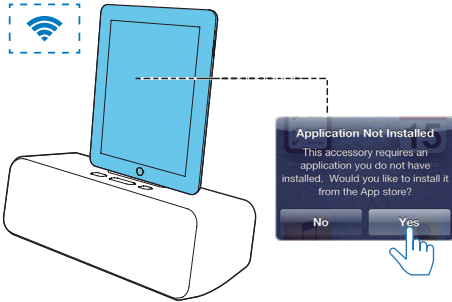
4 Play

Sing along through the wireless microphone

Note

- The effective operation range between the wireless microphone and Bluetooth® speaker is approximately 10 meters (30 feet).

- 1 Dock your iPad onto the Bluetooth® speaker:
 - ↳ A prompt pops up on the iPad screen, asking you to install the relevant app. If no prompt pops up on your iPad, you can go to **Settings -> General -> About -> AEA7000 -> Find App for Accessory** to install the app.

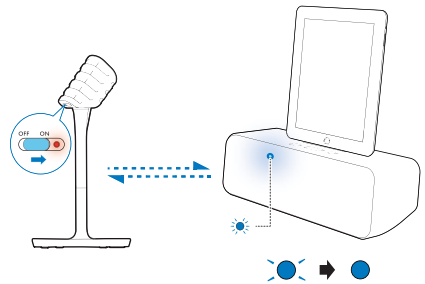


- 2 Tap **YES** on the prompt to install the app (**TheVoice: On Stage**) from Apple App Store.

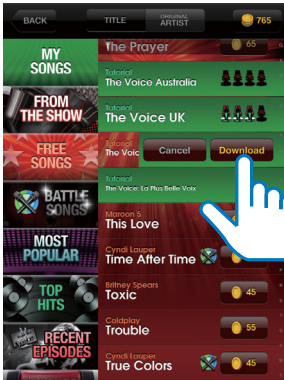
- 3 After successful installation, run **TheVoice: On Stage** on the iPad.



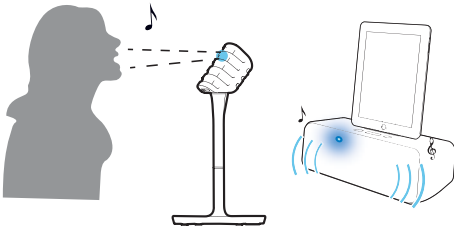
- 4 Slide the **OFF/ON** switch on the wireless microphone to the **ON** position, then select a song from the app and tap **SING -> RECORD**.
 - ↳ The wireless microphone starts to pair with the Bluetooth® speaker automatically.
 - ↳ After successful pairing and connection, the Bluetooth® indicator turns solid blue.



- 5 Find and download a tutorial from **The Voice: On Stage**, then tap **SING** for how to sing along through the wireless microphone and Bluetooth® speaker:



- 6 Select a song from **The Voice: On Stage** and sing along through the wireless microphone.



- 7 Use **-/+** on the top of the Bluetooth® speaker to adjust volume.

Tip

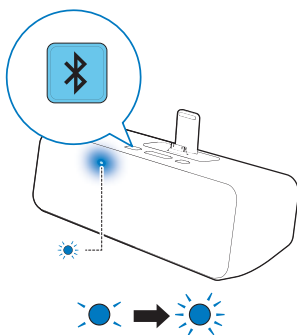
- Always update the app to the latest version.
- If automatic pairing fails, press and hold **⌘** on the speaker for more than 10 seconds to pair the microphone with the speaker manually.
- If the wireless microphone remains disconnected from the Bluetooth® speaker for more than 15 minutes, it switches to standby mode automatically. To switch it on again, you need to slide the **OFF/ON** switch on the microphone to the **OFF** position and then slide back to the **ON** position.
- You can use controls available on the app to adjust sound effects.
- If you experience howling or echo, try to increase the distance between the microphone and speaker or adjust the angle of the microphone towards the speaker.

Play from a Bluetooth® enabled device

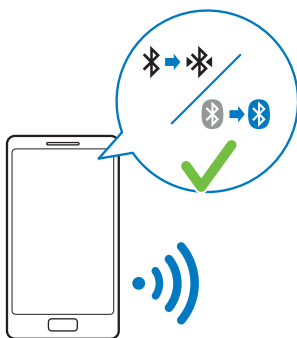
Note

- The effective operation range between the Bluetooth® speaker and your Bluetooth® enabled device is approximately 10 meters (30 feet).
- To pair with a Bluetooth® enabled mobile device, make sure that: no iPad is docked; or you have stopped music play and exited **The Voice: On Stage** on your docked iPad.
- To pair with a new mobile device, you can press **⌘** to remove the existing Bluetooth® connection.
- To play from a Bluetooth® enabled device, make sure that you are not playing music from your iPad docked on the Bluetooth® speaker.

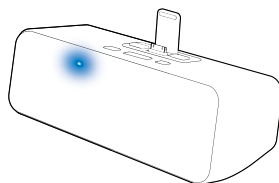
- 1 Press **Ⓜ** on the top of the Bluetooth® speaker:
 ↳ The Bluetooth® indicator flashes blue quickly.



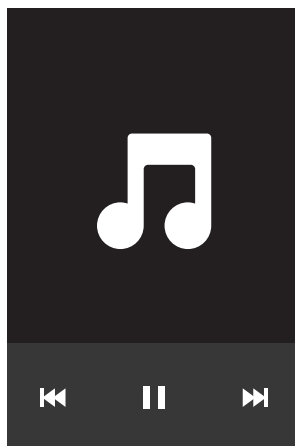
- 2 Enable Bluetooth® on your device that supports A2DP (Advanced Audio Distribution Profile).



- 3 Select '**PHILIPS_AEA7000**' on your Bluetooth® enabled device and if necessary input '0000' as the pairing password.
 ↳ After successful pairing and connection, the Bluetooth® indicator on the speaker turns solid blue and the speaker beeps twice.



- 4 Start music play on your Bluetooth® enabled device.



- 5 Use **-/+** on the top of the Bluetooth® speaker to adjust volume.

Play and charge your iPad through the dock connector directly

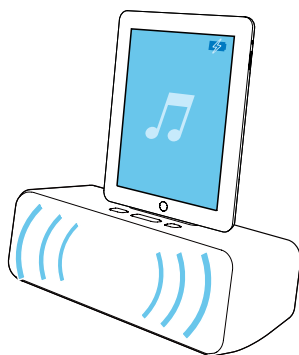
Compatible iPad

This unit supports play and charge of the following iPad models:

- New iPad
- iPad 2
- iPad

Load the iPad

- Dock your iPad.



To remove the iPad

- Pull the iPad out of the dock.

Listen to the iPad

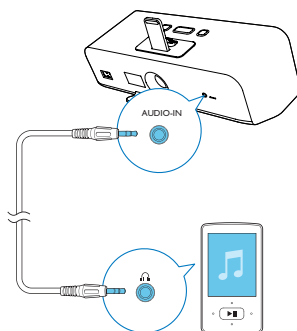
- 1 Make sure that the iPad has been loaded correctly.
- 2 Start music play on your iPad.
↳ The connected iPad starts to play.
- 3 Use **-/+** on the top of the Bluetooth® speaker to adjust volume.

Charge the iPad

The docked iPad begins to charge as soon as the unit is connected to AC power.

Play from an external device

You can also listen to an external audio player through the Bluetooth® speaker:



- 1 Connect a 3.5mm audio cable (not supplied) to:
 - the **AUDIO-IN** socket on the back of the Bluetooth® speaker.
 - the headphone socket on an external audio player.
- 2 Start music play on the external audio player.
- 3 Use **-/+** on the top of the Bluetooth® speaker to adjust volume.

5 Product information

Note

- Product information is subject to change without prior notice.

Dimensions (W x H x D)

- | | |
|--------------|-------------------|
| • Speaker | 300 x 124 x 156mm |
| • Microphone | 162 x 317 x 162mm |

Weight

- | | |
|--------------|--------|
| • Speaker | 1.3 kg |
| • Microphone | 0.3kg |

Specifications

Amplifier

Rated Output Power	2 X 5W RMS
Signal to Noise Ratio	>70dB
Aux-in Link	600 mV RMS, 20 kohm

Speakers

Speaker Impedance	4 ohm
Speaker Driver	70mm full range
Sensitivity	> 84dB/1m/1W

Bluetooth®

Bluetooth® version	V2.1 + EDR
Frequency band	2.402-2.480 GHzISM Band
Range	10m (free space)

General information

AC power	230V - 240V~, 50Hz
Operation Power Consumption	20 W
Standby Power Consumption	<0.5W

6 Troubleshooting



Warning

- Never remove the casing of this device.

To keep the warranty valid, never try to repair the system yourself.

If you encounter problems when using this device, check the following points before requesting service. If the problem remains unsolved, go to the Philips Web page (www.philips.com/support). When you contact Philips, make sure that the device is nearby and the model number and serial number are available.

No power to the Bluetooth® speaker

- Make sure that the AC power plug of the device is connected properly.
- Make sure that there is power at the AC outlet.
- As a power-saving feature, the speaker switches to standby mode automatically after staying idle for more than 15 minutes. Switch on the speaker again (see 'Switch on the Bluetooth® speaker' on page 7).

No power to the wireless microphone

- The batteries may be installed incorrectly or drained. Install or replace the batteries properly (see 'Install/replace microphone batteries' on page 7).
- As a power-saving feature, the microphone switches to standby mode automatically after staying disconnected from the speaker for more than 15 minutes. To switch it on again, you need to slide the **OFF/ON** switch on the microphone to the **OFF** position and then back to the **ON** position.

No sound or poor sound

- Adjust volume.
- Check the Bluetooth® connection.
- Check whether you have started music play on the connected device.

Failed to set up connection between the microphone and speaker

- Check whether both the wireless microphone and Bluetooth® speaker are switched on.
- Make sure that the wireless microphone and Bluetooth® speaker are within the effective operation range, that is, approximately 10 meters (30 feet).
- Press and hold **⌘** on the top of the Bluetooth® speaker for more than 10 seconds to set up wireless connection manually.

Howling or echo from the wireless microphone

- Adjust volume.
- Increase the distance between the microphone and speaker or adjust the angle of the microphone towards the speaker.

No response from the Bluetooth® speaker

- Disconnect and reconnect the AC power plug, and then switch on the device again.



2013 © WOOX Innovations Limited. All rights reserved.
Philips and the Philips' Shield Emblem are registered trademarks of
Koninklijke Philips N.V. and are used by WOOX Innovation Limited under
license from Koninklijke Philips N.V.

AEA7000_UM_79_EN_V2.0

