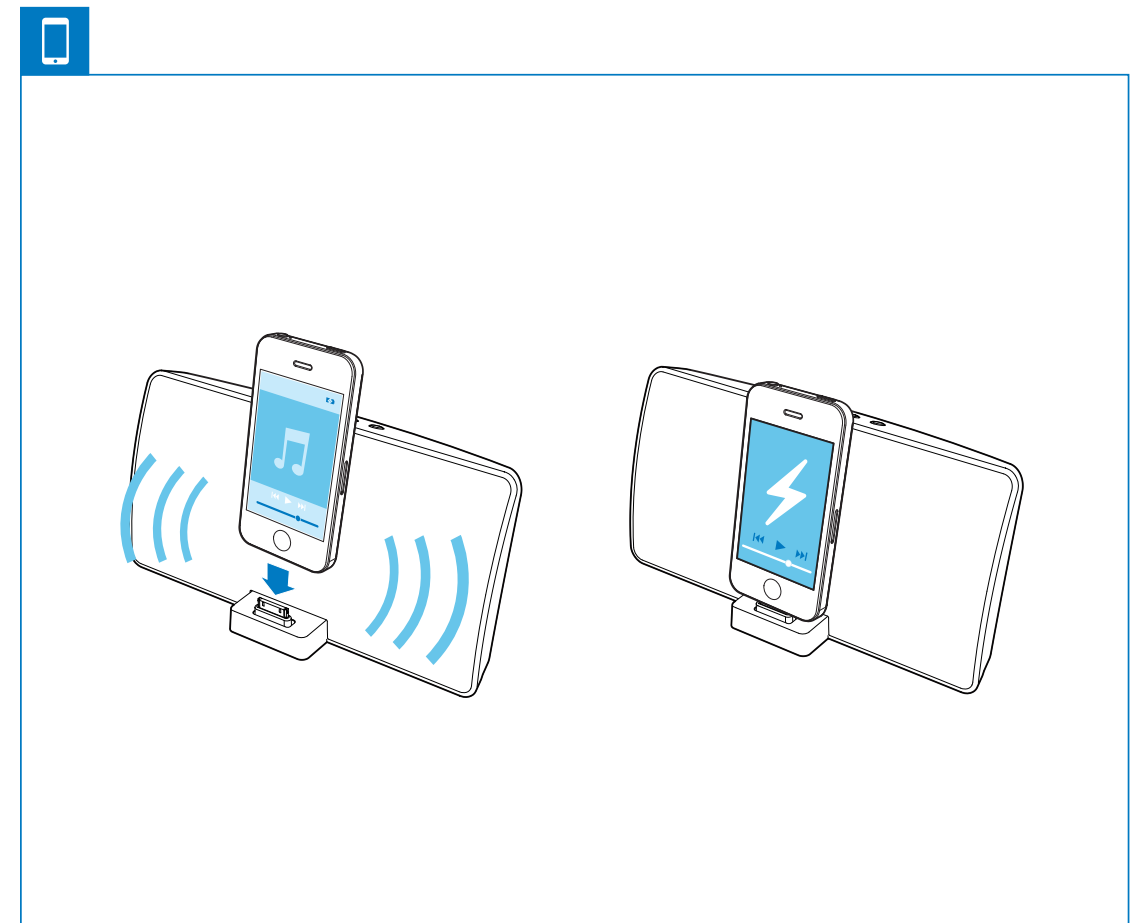
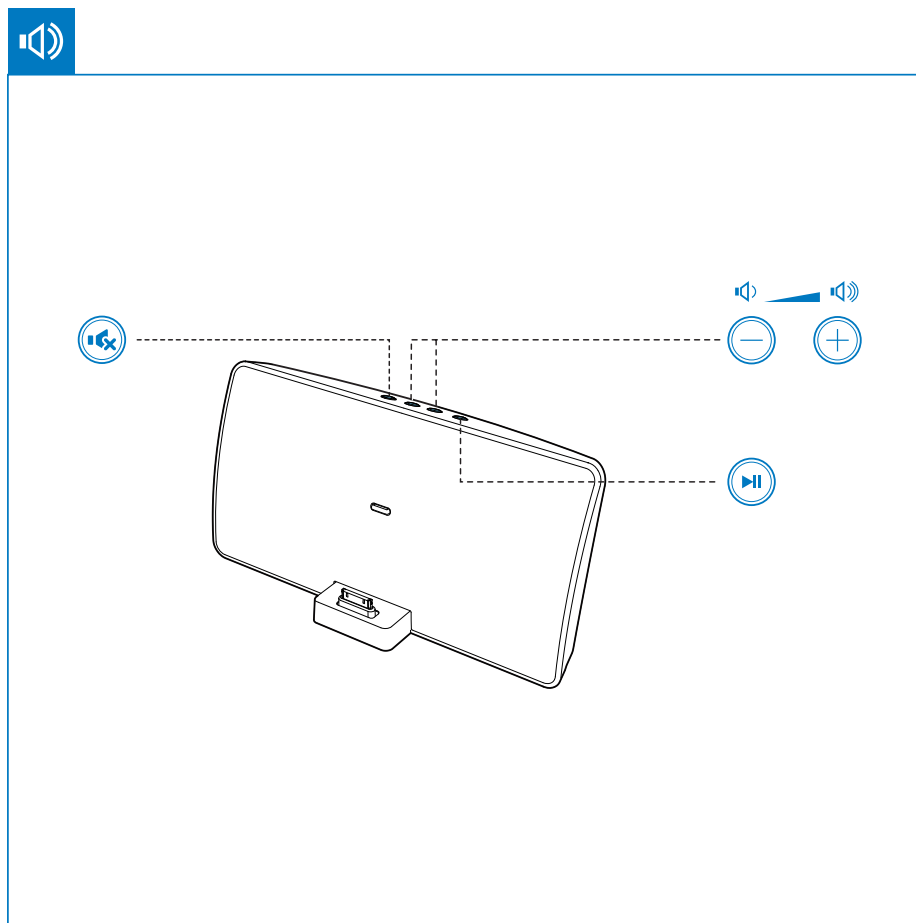
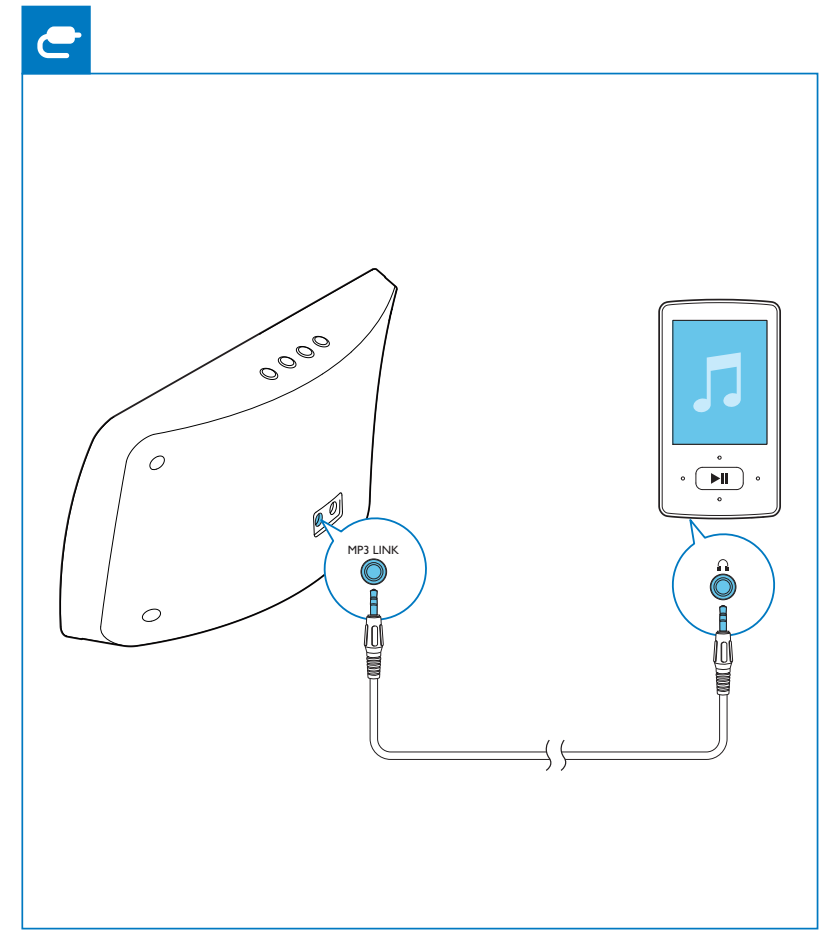
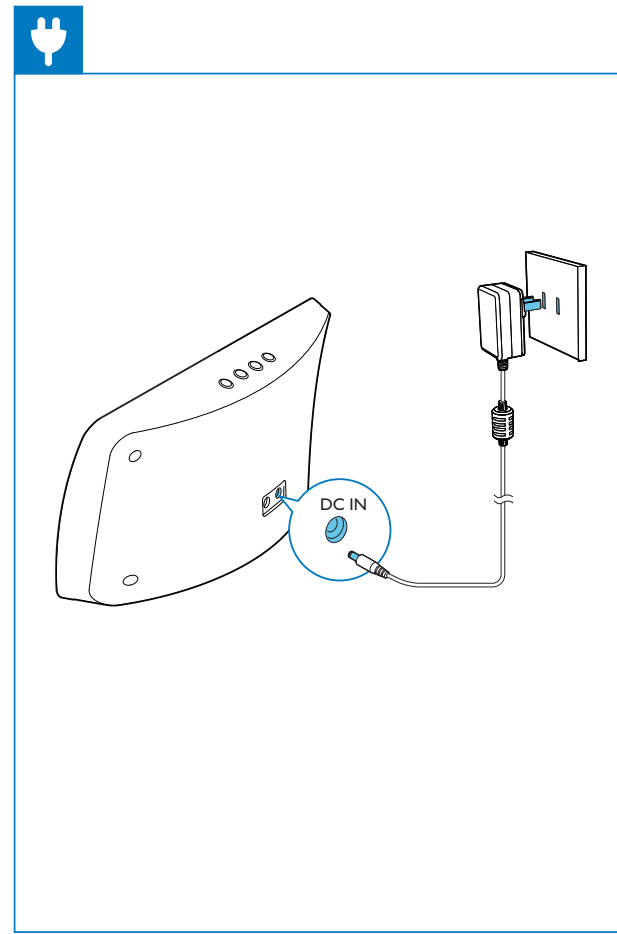
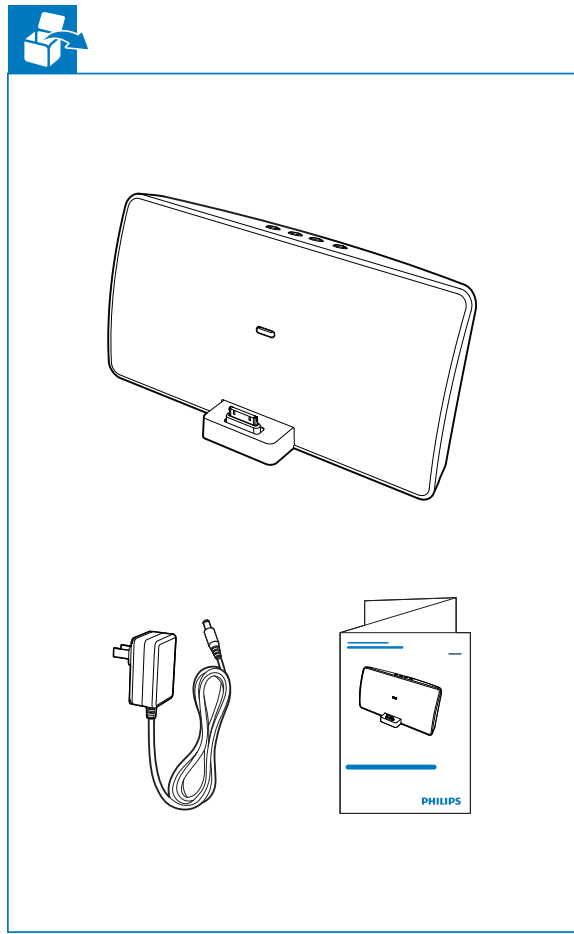
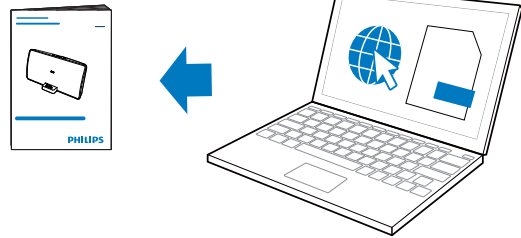




# Quick start guide 快速入门指南

**PHILIPS**

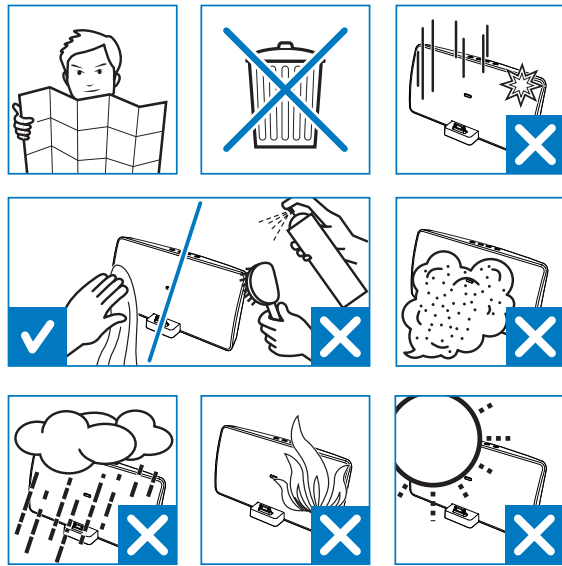




www.philips.com/support

To get the detailed instructions for use, visit www.philips.com/support.

详尽的使用说明请登录 www.philips.com/support。



- This unit shall not be exposed to dripping or splashing.
- Do not place any sources of danger on the unit (e.g. liquid filled objects, lighted candles).
- Where the plug of the Direct Plug-in Adapter is used as the disconnect device, the disconnect device shall remain readily operable.

## 2 Notice

Any changes or modifications made to this device that are not expressly approved by Philips Consumer Lifestyle may void the user's authority to operate the equipment.

### Disposal of your old product

Your product is designed and manufactured with high quality materials and components, which can be recycled and reused. Never dispose of your product with other household waste. Please inform yourself about the local rules on the separate collection of electrical and electronic products and batteries. The correct disposal of these products helps prevent potentially negative consequences on the environment and human health. Please visit www.recycle.philips.com for additional information on a recycling center in your area.

#### Environmental information

All unnecessary packaging has been omitted. We have tried to make the packaging easy to separate into three materials: cardboard (box), polystyrene foam (buffer) and polyethylene (bags, protective foam sheet.) Your system consists of materials which can be recycled and reused if disassembled by a specialized company. Please observe the local regulations regarding the disposal of packaging materials, exhausted batteries and old equipment.

## 3 Specifications

### Amplifier

Total Output Power	8W RMS
Signal to Noise Ratio	> 62 dBA
MP3 Link	650mV RMS

### General information

AC Power	Model: AS110-080-AB130 (Philips); Input: 100-240V ~, 50/60Hz, 0.5A; Output: 8.0V = 1.3 A
Operation Power Consumption	15 W
Standby Power Consumption	<0.5 W
Max. load for iPod/iPhone	5 V = 1 A
Dimensions - Main Unit (W x H x D)	261 x 130 x 103 mm
Weight - Main Unit - With Packing	0.9 kg 1.5 kg

## ZH-CN

## 1 注意事项

- 阅读这些说明。
- 注意所有警告。
- 遵循所有说明。
- 不要堵塞任何通风口。按照制造商的说明进行安装。
- 不要在任何热源附近安装，如散热器、蓄热器、炉具或其它发热设备（包括功放器）。
- 防止电源线被踩踏或挤夹，特别是在插头、电源插座和装置电源线出口位置。
- 仅使用制造商指定的附件/配件。
- 在雷电天气期间或长期不用的情况下，请拔下本装置的电源插头。
- 所有维修均应由合格的维修人员来执行。本装置有任何损坏时，如电源线或插头损坏，液体泼溅到或物体跌落到设备上，装置淋雨或受潮，无法正常运行，或者跌落，均需要进行维修。
- 切勿将本装置暴露在漏水或溅水环境下。
- 不要将任何危险源放在本装置上（例如装有液体的物体、点燃的蜡烛）。
- 如果将直插式适配器的插头用作断开设备，则断开设备应可以随时使用。

## 2 注意

如果用户未经 Philips 优质生活部门的明确许可而擅自对此设备进行更改或修改，则可能导致其无权操作此设备。

### 弃置旧产品

本产品采用可回收利用的高性能材料和组件制造而成。切勿将本产品与其它生活垃圾一起处理。请自行了解当地关于分类收集电子、电气产品及电池的规定。正确弃置这些产品有助于避免对环境对人体健康造成潜在的负面影响。关于您所在地区回收中心的更多信息，请访问 www.recycle.philips.com。

#### 环境信息

已省去所有不必要的包装。我们努力使包装易于分为三种材料：纸板（盒）、泡沫塑料（缓冲物）和聚乙烯（袋、保护性泡沫片）。您的系统包含可回收利用的材料（如果由专业公司拆卸）。请遵守当地有关包装材料、废电池和旧设备的处理的规定。

## 3 产品信息

### 功放器

额定输出功率	8 瓦 RMS
信噪比	> 62 dBA
MP3 Link	650mV RMS

### 一般信息

交流电源	型号: AS110-080-AB130 (Philips); 输入: 100-240 伏 ~, 50/60赫兹, 0.5安; 输出: 8.0 伏 = 1.3 安
操作功耗	15 瓦
待机功耗	<0.5 瓦
最大 iPod/iPhone 输出负载	5 伏 = 1 安
尺寸 - 主装置 (宽 x 高 x 厚)	261 x 130 x 103 毫米
重量 - 主装置 - 含包装	0.9 千克 1.5 千克

部件名称 Name of the Parts	有毒有害物质或元素 Hazardous/toxic Substance					
	铅 (Pb, Lead)	汞 (Hg, Mercury)	镉 (Cd, cadmium)	六价铬 (Chromium 6+)	多溴联苯 (PBB)	多溴二苯醚 (PBDE)
Housing 外壳	○	○	○	○	○	○
Loudspeakers 喇叭单元	○	○	○	○	○	○
PWBs 电路板组件	x	○	○	○	○	○
Accessories (Cables) 附件 (电源线, 连接线)	x	○	○	○	○	○

○: 表示该有毒有害物质在该部件所有均质材料中的含量均在 SJ/T11363 - 2006 标准规定的限量要求以下。  
○: Indicates that this toxic or hazardous substance contained in all of the homogeneous materials for this part is below the limit requirement in SJ/T11363 - 2006.

x: 表示该有毒有害物质至少在该部件的某一均质材料中的含量超出 SJ/T11363 - 2006 标准规定的限量要求。  
x: Indicates that this toxic or hazardous substance contained in at least one of the homogeneous materials used for this part is above the limit requirement in SJ/T11363 - 2006.



环保使用期限 Environmental Protection Use Period

This logo refers to the period ( 10 years )

电子信息产品中含有的有毒有害物质或元素在正常使用的条件下不会发生外泄或突变，电子信息产品用户使用该电子信息产品不会对环境造成严重污染或对其人身、财产造成严重损害的期限。

This logo refers to the period ( 10 years ) during which the toxic or hazardous substances or elements contained in electronic information products will not leak or mutate so that the use of these [substances or elements] will not result in any severe environmental pollution, any bodily injury or damage to any assets.

EN

## 1 Important

- Read these instructions.
- Heed all warnings.
- Follow all instructions.
- Do not block any ventilation openings. Install in accordance with the manufacturer's instructions.
- Do not install near any heat sources such as radiators, heat registers, stoves, or other apparatus (including amplifiers) that produce heat.
- Protect the power cord from being walked on or pinched, particularly at plugs, convenience receptacles, and the point where they exit from the unit.
- Only use attachments/accessories specified by the manufacturer.
- Unplug this unit during lightning storms or when unused for long periods of time.
- Refer all servicing to qualified service personnel. Servicing is required when the unit has been damaged in any way, such as power-supply cord or plug is damaged, liquid has been spilled or objects have fallen into the unit, the unit has been exposed to rain or moisture, does not operate normally, or has been dropped.