

Always there to help you

Register your product and get support at
www.philips.com/support



AZ380W



User manual

PHILIPS

Contents

1	Important	3
----------	------------------	----------

2	Your CD Soundmachine	4
	Introduction	4
	What's in the box	4
	Overview of the main unit	5

3	Get started	6
	Connect power	6
	Turn on	7
	Turn off	7

4	Play	7
	Play disc	7
	Play from USB device	7
	Play from an external device	8
	Listen to FM radio	8
	Adjust volume	8

5	Play options	9
	Repeat or shuffle play	9
	Program tracks	9

6	Product information	9
	Specifications	9
	Maintenance	10
	USB playability information	10

7	Troubleshooting	11
----------	------------------------	-----------

8	Notice	12
----------	---------------	-----------

1 Important

- Read these instructions.
- Follow all instructions.
- Do not block any ventilation openings. Install in accordance with the manufacturer's instructions.
- Do not install near any heat sources such as radiators, heat registers, stoves, or other apparatus (including amplifiers) that produce heat.
- Protect the power cord from being walked on or pinched, particularly at plugs, convenience receptacles, and the point where they exit from the unit.
- Only use attachments/accessories specified by the manufacturer.
- Unplug this unit during lightning storms or when unused for long periods of time.
- Refer all servicing to qualified service personnel. Servicing is required when the unit has been damaged in any way, such as power-supply cord or plug is damaged, liquid has been spilled or objects have fallen into the apparatus, the unit has been exposed to rain or moisture, does not operate normally, or has been dropped.
- Battery usage **CAUTION** – To prevent battery leakage which may result in bodily injury, property damage, or damage to the unit:
 - Install all batteries correctly, + and - as marked on the unit.
 - Do not mix batteries (old and new or carbon and alkaline, etc.).
 - Remove batteries when the unit is not used for a long time.
- Batteries (battery pack or batteries installed) shall not be exposed to excessive heat such as sunshine, fire or the like.
- The unit shall not be exposed to dripping or splashing.
- Do not place any sources of danger on the unit (e.g. liquid filled objects, lighted candles).

- Where the plug of the Direct Plug-in Adapter is used as the disconnect device, the disconnect device shall remain readily operable.

Know these safety symbols



This 'bolt of lightning' indicates uninsulated material within your unit may cause an electrical shock. For the safety of everyone in your household, please do not remove product covering.

The 'exclamation point' calls attention to features for which you should read the enclosed literature closely to prevent operating and maintenance problems.

WARNING: To reduce the risk of fire or electric shock, this apparatus should not be exposed to rain or moisture and objects filled with liquids, such as vases, should not be placed on this apparatus.

CAUTION: To prevent electric shock, match wide blade of plug to wide slot, fully insert.



Warning

- Never remove the casing of this apparatus.
- Never place this apparatus on other electrical equipment.
- Ensure that you always have easy access to the power cord, plug or adaptor to disconnect the apparatus from the power.



Caution

- Use of controls or adjustments or performance of procedures other than herein may result in hazardous radiation exposure or other unsafe operation.

2 Your CD Soundmachine

Introduction

With this unit, you can:

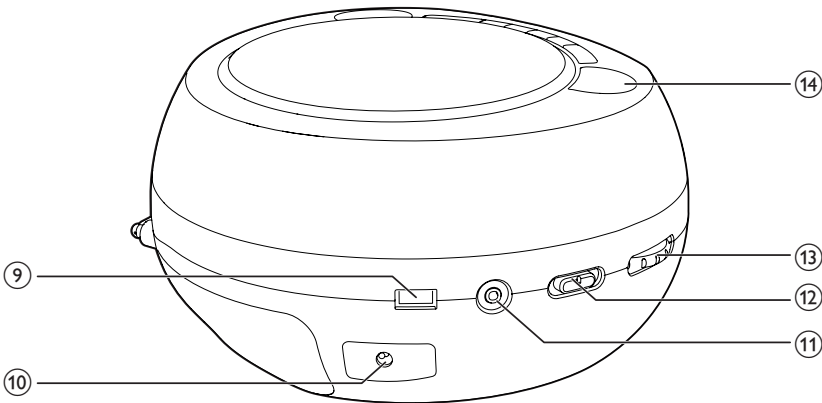
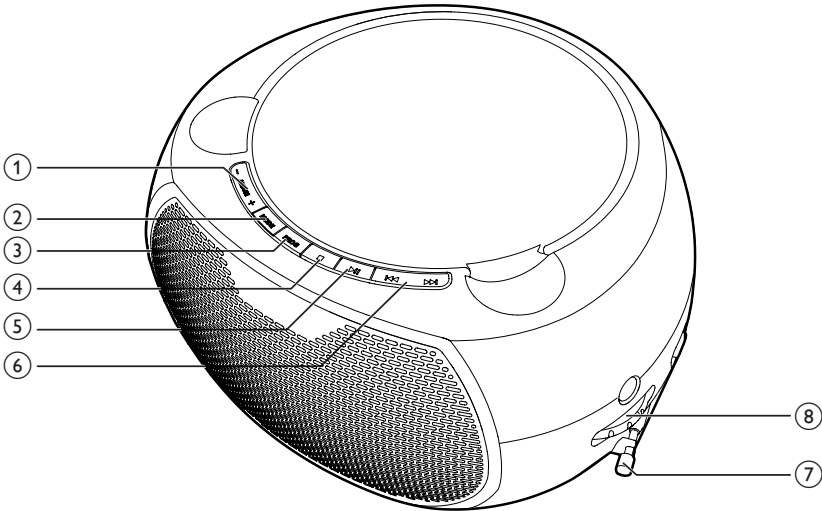
- enjoy audio from discs, USB devices, and other external devices
- listen to FM radio

What's in the box

Check and identify the contents of the package:

- Main unit
- AC power adaptor
- Quick start guide
- Safety sheet

Overview of the main unit



① - ALBUM +

- For MP3/WMA files: skip to the next or previous album.

② MODE

- Select repeat or shuffle mode.

③ PROG

- Program tracks.

④ ■


- Stop play.
- Erase a program.

⑤ ►||

- Start or pause play.

⑥ ◀◀ / ▶▶

- Skip to the previous or next track.
- Search within a track.

- ⑦ **FM antenna**
 - Improve FM reception.
- ⑧ **TUNING**
 - Tune to FM radio stations.
- ⑨ 
 - Connect a USB device.
- ⑩ **DC IN**
 - Connect power.
- ⑪ **MP3-LINK**
 - Connect an external audio device.
- ⑫ **Source selector**
 - Select a source: **CD,USB, or FM.**
 - Turn the unit off.
- ⑬ **-VOLUME +**
 - Adjust volume.
- ⑭ **Disc compartment**

3 Get started

Caution

- Use of controls or adjustments or performance of procedures other than herein may result in hazardous radiation exposure or other unsafe operation.

Always follow the instructions in this chapter in sequence.

If you contact the Consumer Care, you will be asked for the model and serial number of this apparatus. The model number and serial number are on the bottom of the apparatus. Write the numbers here:

Model No. _____

Serial No. _____

Connect power

You can use either AC power or battery as power supply of this unit.

Battery power

Caution

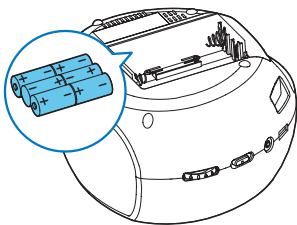
- Risk of explosion! Keep batteries away from heat, sunshine or fire. Never discard batteries in fire.
- Batteries contain chemical substances, so they should be disposed of properly.

Note

- Batteries are not supplied with the accessories.

- 1 Open the battery compartment.
- 2 Insert 6 batteries (type: R14/ UM2/ C Cell) with correct polarity (+/-) as indicated.

- 3 Close the battery compartment.



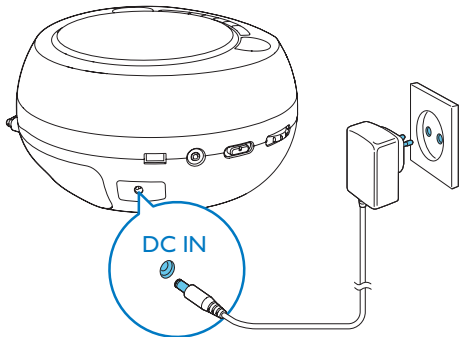
AC power

Warning

- Risk of product damage! Make sure that the power supply voltage corresponds to the voltage printed on the back or the underside of the unit.
- Risk of electric shock! When you disconnect the AC power, always pull the plug from the socket. Never pull the cord.

Connect the AC power adaptor to:

- the **DC IN** socket on the unit.
- the wall outlet.



Turn on

Switch the source selector to **CD**, **USB**, or **FM**.

Turn off

Switch the source selector to **OFF**.

4 Play


Play disc

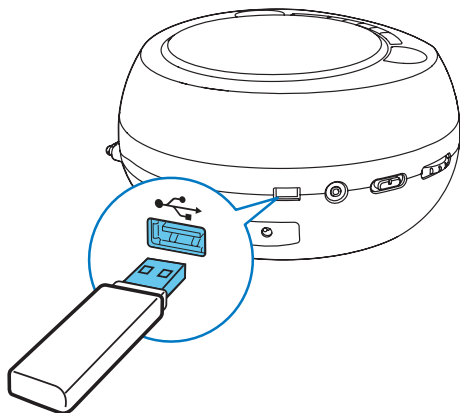
- 1 Switch the source selector to **CD**.
- 2 Lift to open the disc compartment.
- 3 Insert a disc with the printed side facing up, then close the disc compartment.
- 4 Press **▶||** to start play.
 - To pause or resume play, press **▶||**.
 - To stop play, press **■**.
 - For MP3/WMA tracks, press **- ALBUM +** to select an album.
 - To select a track, press **◀◀ / ▶▶**.
 - To search within a track, press and hold **◀◀ / ▶▶**, then release to resume normal play.

Play from USB device

Note

- Make sure that the USB device contains playable audio content.

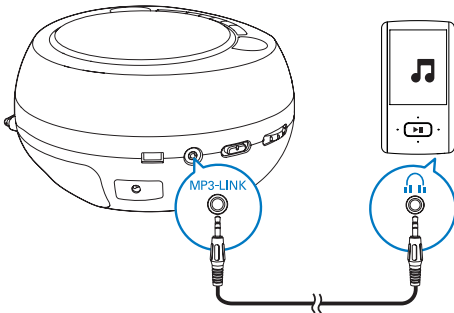
- 1 Switch the source selector to **USB**.
- 2 Insert the USB device into the  socket.
↳ Play starts automatically. If not, press **▶||**.



Play from an external device

With this unit, you can also listen to an external audio device such as an MP3 player:

- 1 Switch the source selector to **CD, USB, or FM**.
- 2 Connect the MP3 link cable (not supplied) to:
 - the **MP3-LINK** socket on the unit.
 - the headphone socket on an external device.
- 3 Play the external device (see the device's user manual).



Note

- The **MP3-LINK** socket is not for headphones.

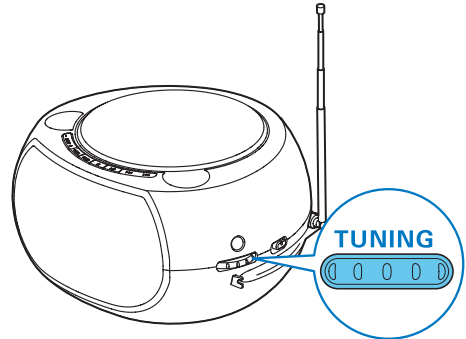
Listen to FM radio

Note

- Position the antenna as far as possible from TV, VCR or other radiation source.
- For better reception, fully extend and adjust the position of the antenna.

- 1 Switch the source selector to **FM**.

- 2 Rotate **TUNING** to tune to an FM radio station.



Adjust volume

During play, rotate **-VOLUME +** to adjust volume.

5 Play options

Repeat or shuffle play

Repeat play

- 1 During play, press **MODE** repeatedly to select:
 - : play the current track repeatedly.
 - : play all tracks repeatedly.
- 2 To resume normal play, press **MODE** repeatedly until the repeat icons disappear.

Shuffle play

- 1 During play, press **MODE** repeatedly until the icon is displayed.
 - ↳ All tracks are played randomly.
- 2 To resume normal play, press **MODE** again.

Program tracks

You can program a maximum of 20 tracks.

- 1 Press to stop playback.
- 2 Press **PROG** to activate the programming mode.
 - ↳ **[P01]** is displayed.
- 3 For MP3/WMA tracks, press **- ALBUM +** to select an album.
- 4 Press / to select a track, and then press **PROG** to confirm.
- 5 Repeat steps 3 to 4 to program more tracks.
- 6 Press to play the programmed tracks.
 - ↳ During play, **[P]** (program) and the preset number are displayed.
 - To erase the program, when playback is stopped, press .

6 Product information

Note

- Product information is subject to change without prior notice.

Specifications

Amplifier

Rated Output Power	1 x 1 W RMS
Frequency Response	60 Hz - 16 KHz, -3 dB
Signal to Noise Ratio	>57 dB
Total Harmonic Distortion	<1.5 %
MP3 Link Input	500 mV

Disc

Total Harmonic Distortion	<1.5 %
Frequency Response	60Hz -16kHz, -3 dB
S/N Ratio	>57 dB

Tuner

Tuning Range	FM: 87.5 - 108MHz
--------------	-------------------

General

Power supply	Model: AS110-090- BE110 (Philips);
- AC Power	Input: 100-240 V ~, 50/60 Hz, 0.5 A;
	Output: 9 V = 1.1 A
- Battery	6 x 1.5 V R14/UM2/C Cell

Operation Power Consumption	3 W
Standby Power Consumption	< 0,5 W
Dimensions - Main Unit (W × H × D)	245 × 212 × 130 mm
Weight - Main Unit - With Packing	1.1 kg 1.5 kg

Maintenance

Clean the cabinet

- Use a soft cloth slightly moistened with a mild detergent solution. Do not use a solution containing alcohol, spirits, ammonia or abrasives.

Clean discs

- When a disc becomes dirty, clean it with a cleaning cloth. Wipe the disc from the centre out.



- Do not use solvents such as benzene, thinner, commercially available cleaners, or antistatic spray intended for analogue records.

Clean the disc lens

- After prolonged use, dirt or dust may accumulate at the disc lens. To ensure good play quality, clean the disc lens with Philips CD lens cleaner or any commercially available cleaner. Follow the instructions supplied with cleaner.

USB playability information

Compatible USB devices:

- USB flash memory (USB1.1)
- USB flash players (USB1.1)
- memory cards (requires an additional card reader to work with this unit)

Supported formats:

- USB or memory file format: FAT12, FAT16, FAT32 (sector size: 512 bytes)
- MP3 bit rate (data rate): 32-320 Kbps and variable bit rate
- WMA v9 or earlier
- Directory nesting up to a maximum of 8 levels
- Number of albums/ folders: maximum 99
- Number of tracks/titles: maximum 999
- File name in Unicode UTF8 (maximum length: 16 bytes)

Unsupported formats:

- Empty albums: an empty album is an album that does not contain MP3/WMA files, and is not be shown in the display.
- Unsupported file formats are skipped. For example, Word documents (.doc) or MP3 files with extension .dlf are ignored and not played.
- AAC, WAV, PCM audio files
- DRM protected WMA files (.wav, .m4a, .m4p, .mp4, .aac)
- WMA files in Lossless format

7 Troubleshooting



Warning

- Never remove the casing of this device.

To keep the warranty valid, never try to repair the system yourself.

If you encounter problems when using this device, check the following points before requesting service. If the problem remains unsolved, go to the Philips Web page (www.philips.com/support). When you contact the Consumer Care, make sure that the product is nearby and the model number and serial number are available.

No power

- Ensure that the AC power adaptor of the unit is connected properly.
- Ensure that there is power at the AC outlet.
- Insert the batteries with their polarities (+/- signs) aligned as indicated.
- Replace the battery.

No sound

- Adjust the volume.

No response from the unit

- Take out the batteries and turn on the unit again.
- Disconnect and reconnect the AC power adaptor; then turn on the unit again.

No disc detected

- Insert a disc.
- Check if the disc is inserted upside down.
- Wait until the moisture condensation at the lens has cleared.
- Replace or clean the disc.
- Use a finalized CD or correct format disc.

Poor radio reception

- Increase the distance between the unit and your TV or VCR.
- Fully extend the FM antenna.

Cannot display some files in USB device

- The number of folders or files in the USB device has exceeded a certain limit. This phenomenon is not a malfunction.
- The formats of these files are not supported.

USB device not supported

- The USB device is incompatible with the unit. Try another one.

8 Notice

Any changes or modifications made to this device that are not expressly approved by Gibson Innovations may void the user's authority to operate the equipment.



This product complies with the radio interference requirements of the European Community.



Your product is designed and manufactured with high quality materials and components, which can be recycled and reused.



When this crossed-out wheeled bin symbol is attached to a product it means that the product is covered by the European Directive 2002/96/EC.

Please inform yourself about the local separate collection system for electrical and electronic products.

Please act according to your local rules and do not dispose of your old products with your normal household waste. Correct disposal of your old product helps to prevent potential negative consequences for the environment and human health.



Your product contains batteries covered by the European Directive 2006/66/EC, which cannot be disposed with normal household waste. Please inform yourself about the local rules on separate collection of batteries

because correct disposal helps to prevent negative consequences for the environmental and human health.

Environmental information

All unnecessary packaging has been omitted. We have tried to make the packaging easy to separate into three materials: cardboard (box), paper pulp (buffer) and polyethylene (bags, protective foam sheet.)

Your system consists of materials which can be recycled and reused if disassembled by a specialized company. Please observe the local regulations regarding the disposal of packaging materials, exhausted batteries and old equipment.

This apparatus includes these labels:



Class II equipment symbol



This symbol indicates that the apparatus has a double insulation system.

Note

- The type plate is located on the bottom of the apparatus.



2015 © Gibson Innovations Limited. All rights reserved.

This product has been manufactured by, and is sold under the responsibility of Gibson Innovations Ltd., and Gibson Innovations Ltd. is the warrantor in relation to this product.

Philips and the Philips Shield Emblem are registered trademarks of Koninklijke Philips N.V. and are used under license from Koninklijke Philips N.V.

AZ380W_12_UM_V4.0

