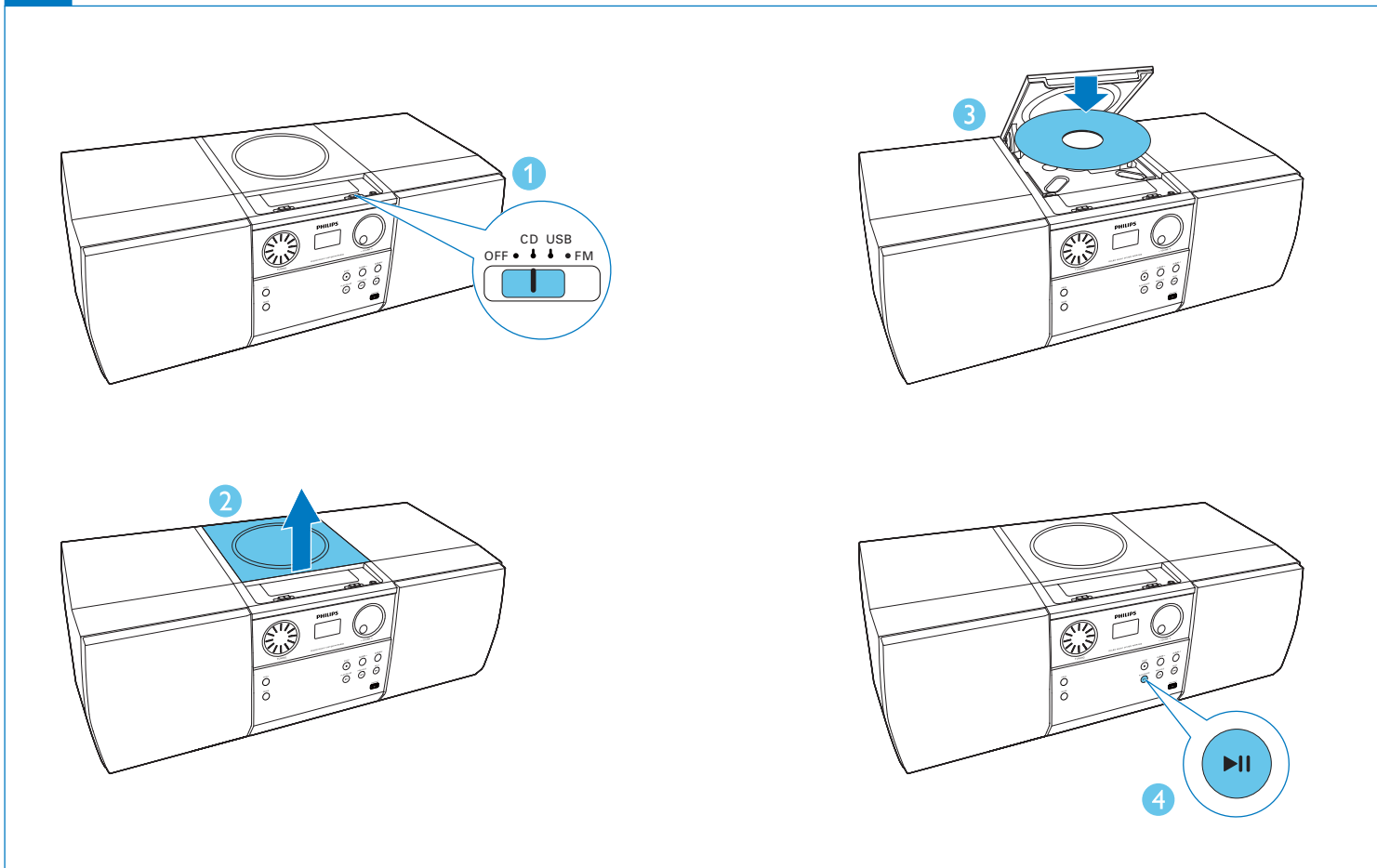
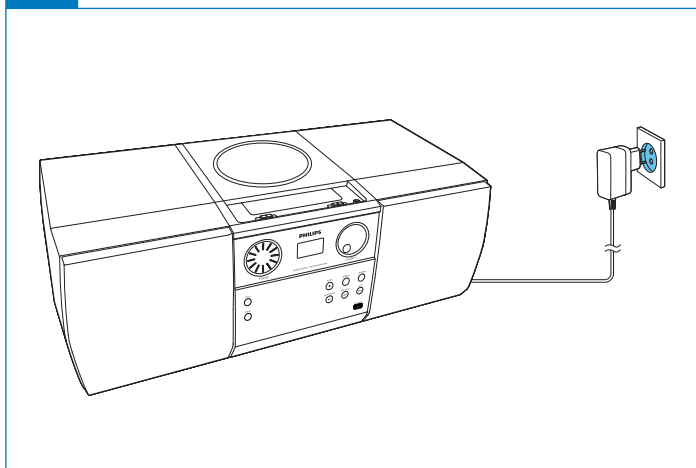
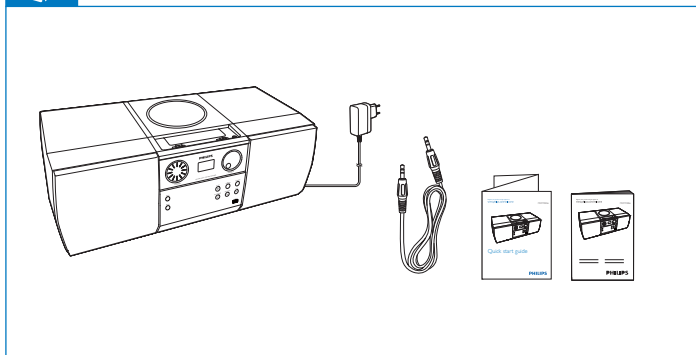
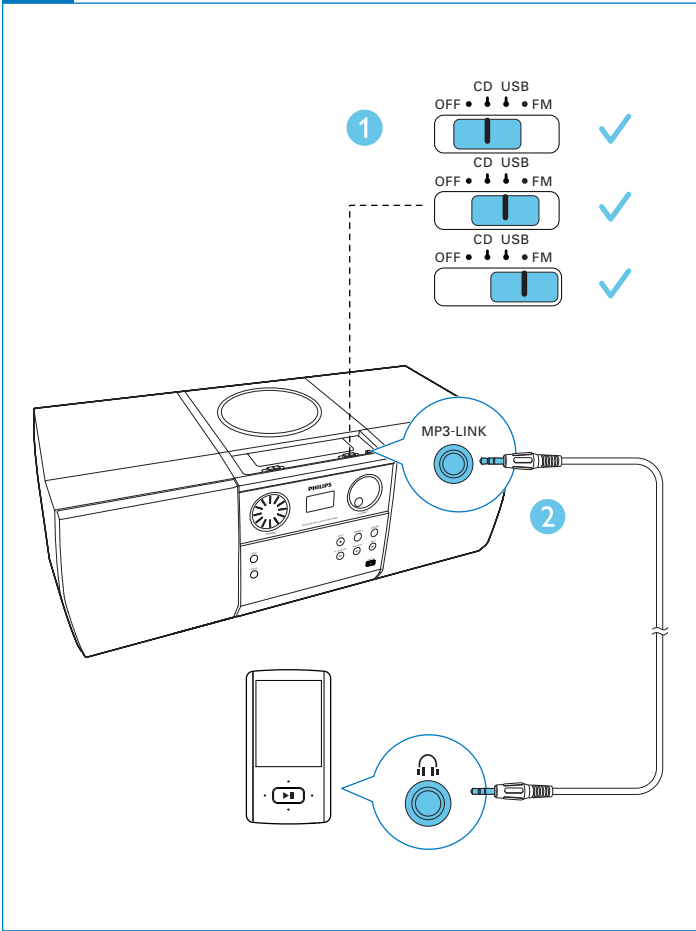
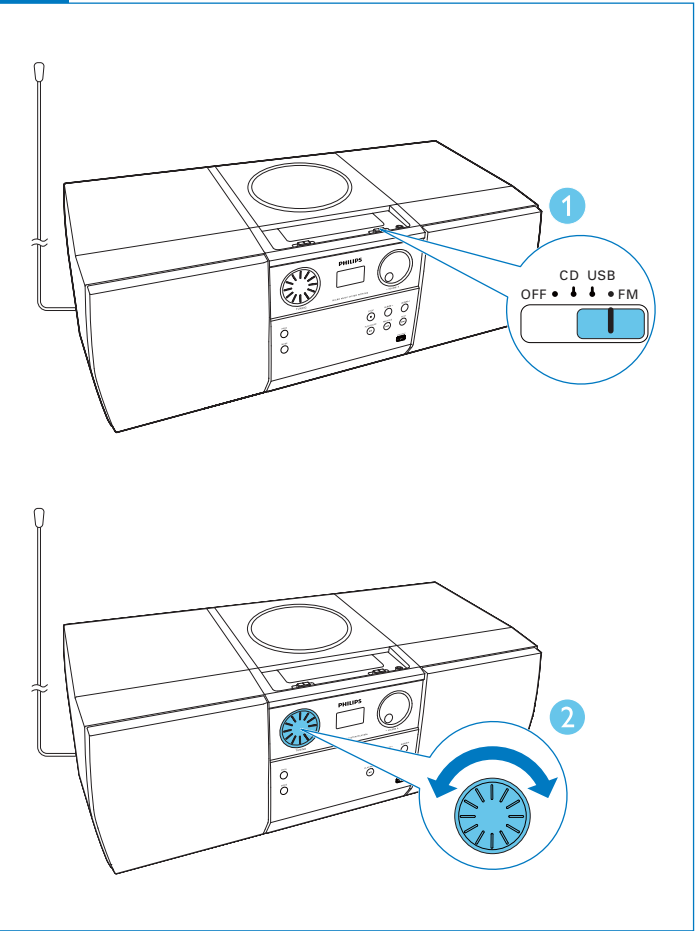
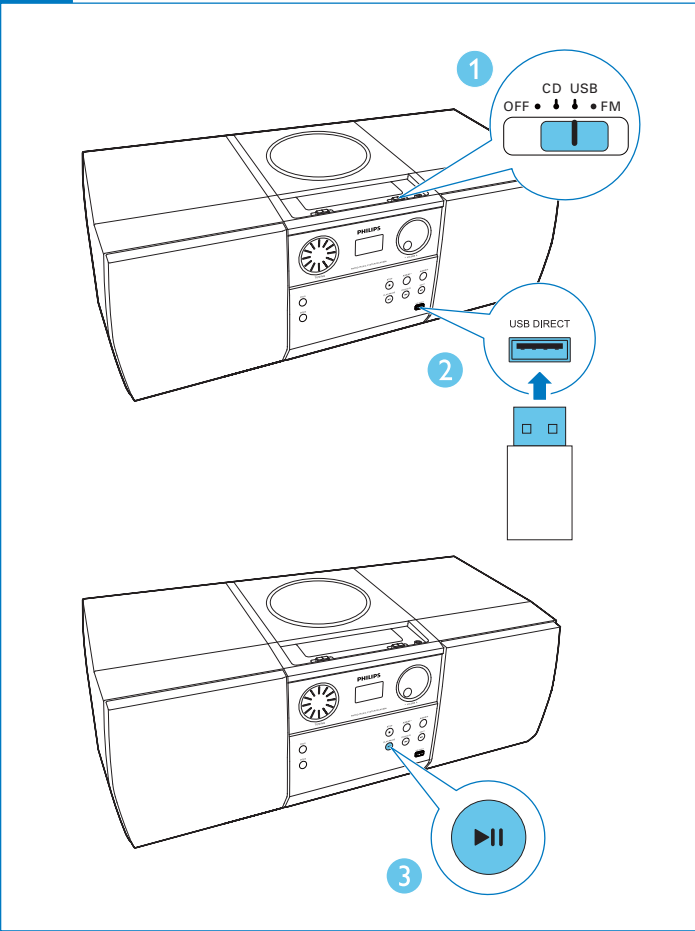


MCM1006



Guía de inicio rápido





All registered and unregistered trademarks are property of their respective owners.
 © 2011 Koninklijke Philips Electronics N.V.
 All rights reserved.

MCM1006_77_QSG_V1.0

