

Always there to help you

Register your product and get support at
www.philips.com/support

AJ3800/12



User manual

PHILIPS

Contents

1	Important	3
----------	------------------	----------

2	Your clock radio	3
	What's in the box	3
	Overview of the main unit	4

3	Get started	5
	Install battery	5
	Connect power	6
	Set time	6

4	Listen to FM radio	6
	Tune to FM radio stations	6
	Store and select preset radio station	6

5	Alarm	7
	Set the alarm time and mode	7
	Deactivate the alarm	7
	Set sleep timer	7

6	Others	8
	Use the projection	8
	Adjust brightness	8

7	Product information	8
	Specifications	8

8	Troubleshooting	9
----------	------------------------	----------

9	Notice	9
	Declaration of conformity	9

1 Important



Warning

- Never remove the casing of this clock radio.
- Never lubricate any part of this clock radio.
- Never place this clock radio on other electrical equipment.
- Keep this clock radio away from direct sunlight, naked flames or heat.
- Make sure that you always have easy access to the power cord, plug or adaptor to disconnect the clock radio from the power.

- Make sure that there is enough free space around the product for ventilation.
- The clock radio shall not be exposed to dripping or splashing.
- Do not place any sources of danger on the clock radio (e.g. liquid filled objects, lighted candles).
- Where the plug of the Direct Plug-in Adapter is used as the disconnect device, the disconnect device shall remain readily operable.
- Only use power supplies listed in the user manual.
- Battery usage CAUTION – To prevent battery leakage which may result in bodily injury, property damage, or damage to the unit:
 - Install all batteries correctly, + and - as marked on the unit.
 - Do not mix batteries (old and new or carbon and alkaline, etc.).
 - Remove batteries when the unit is not used for a long time.
 - The batteries should not be exposed to excessive heat such as sunshine fire or the like.

2 Your clock radio

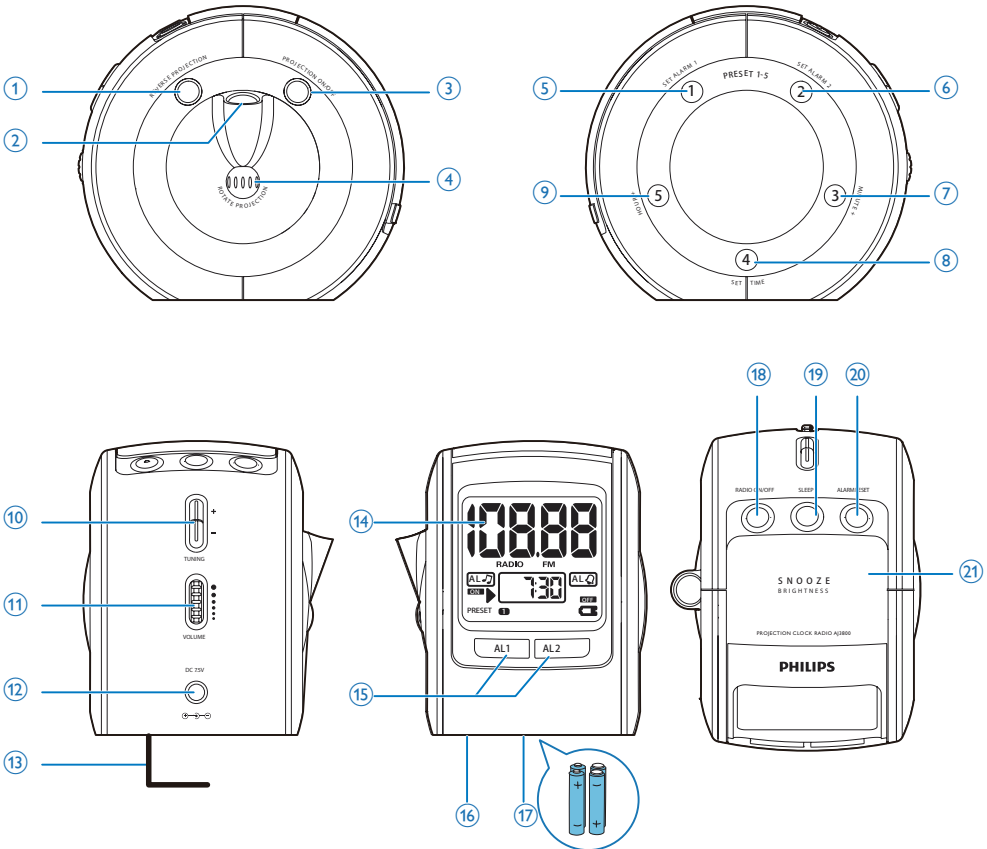
Congratulations on your purchase, and welcome to Philips! To fully benefit from the support that Philips offers, register your product at www.philips.com/welcome.

What's in the box

Check and identify the contents of your package:

- Main unit
- 1 x AC adaptor
- Short user manual
- Safety sheet

Overview of the main unit



- ① **REVERSE PROJECTION**
 - Reverse the projection.
- ② **Projection lens**
- ③ **PROJECTION ON/OFF**
 - Switch the projection on/off.
- ④ **ROTATE PROJECTION**
 - Adjust projection slightly to a different angle.
- ⑤ **SET ALARM 1 / PRESET 1**
 - Set ALARM1 timer.
 - Program or select station 1.
- ⑥ **SET ALARM 2 / PRESET 2**
 - Set ALARM2 timer.
 - Program or select station 2.
- ⑦ **MINUTE+ / PRESET 3**
 - Adjust the minute.
 - Program or select station 3.
- ⑧ **SET TIME / PRESET 4**
 - Set the clock time.
 - Program or select station 4.
- ⑨ **HOURLY+ /PRESET 5**

- Adjust the hour.
 - Program or select station 5.
- ⑩ **+ TUNING -**
 - Tune to radio stations.
 - ⑪ **- Volume +**
 - Adjust volume.
 - ⑫ **DC-IN**
 - Power supply socket.
 - ⑬ **FM ANT**
 - Improve FM reception.
 - ⑭ **Display panel**
 - Show current information.
 - ⑮ **AL1/AL2**
 - View alarm settings.
 - Activate or deactivate alarm timer.
 - ⑯ **RESET**
 - Reset the device.
 - ⑰ **Battery compartment**
 - ⑱ **RADIO ON/OFF**
 - Switch the radio on/off.
 - ⑲ **SLEEP**
 - Set the sleep timer.
 - ⑳ **ALARM RESET**
 - Deactivate the alarm.
 - ㉑ **SNOOZE/BRIGHTNESS**
 - Snooze alarm.
 - Adjust display brightness.

3 Get started



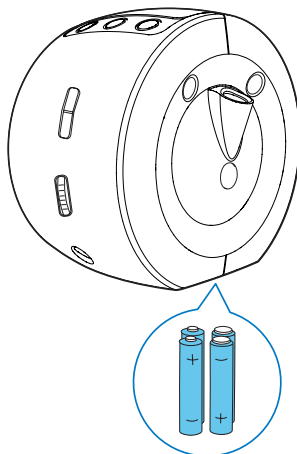
Caution

- Use of controls or adjustments or performance of procedures other than herein may result in hazardous radiation exposure or other unsafe operation.

Always follow the instructions in this chapter in sequence.

Install battery

Insert 4 x 1.5V R6/UM3/AA battery (not supplied) with correct polarity (+/-) as illustrated.



4 x 1.5V R6/UM3/AA

Connect power

! Caution

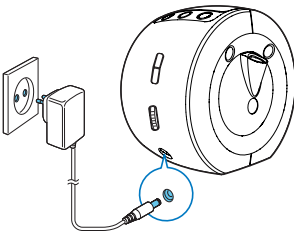
- Risk of product damage! Make sure that the power voltage corresponds to the voltage printed on the back or underside of the clock radio.
- Risk of electric shock! When you unplug the power adapter; always pull the plug from the socket. Never pull the cord.

≡ Note

- The type plate is located at the bottom of the clock radio.

Connect the AC power adaptor to :

- the power supply socket on the main unit.
- the wall power outlet.



Set time

≡ Note

- You can only set time in standby mode.

- 1 Press **SET TIME** to enter the clock setting mode.
- 2 Press **HOUR+** to adjust the hour.
- 3 Press **MINUTE+** to adjust the minute.
- 4 Press **SET TIME** to confirm.

4 Listen to FM radio

≡ Note

- Keep the clock radio away from other electronic devices to avoid radio interference.
- For better reception, fully extend and adjust the position of the FM antenna.

Tune to FM radio stations

- 1 Press **RADIO ON/OFF** to activate the radio.
↳ The last selected radio frequency displayed on the panel.
- 2 Press and hold **TUNING +/-** for over 2 second.
↳ The clock radio tunes to a station of sufficient reception automatically.
- 3 Repeat step 2 to tune to more radio stations.

To tune to a station manual :

- Press **TUNING +/-** repeatedly until you find optimal reception.

Store and select preset radio station

You can store up to 5 radio stations.

- 1 Tune to a radio station.
- 2 Press the number button until you hear a beep.
↳ The preset number of station show on the display.
- 3 Repeat step 1-2 to tune more stations.
 - You can overwrite a preset station by storing another frequency in its place.

Press the number button to select corresponding preset radio station.

5 Alarm

Set the alarm time and mode

In standby mode, you can set two alarms to ring at different time.

Note

- Make sure that you have set the clock correctly.

- 1 Press and hold **SET ALARM 1** or **SET ALARM 2** to activate alarm setting mode.
- 2 Press **HOUR+** to adjust the hour.
- 3 Press **MINUTE+** to adjust the minute.
- 4 Press **SET ALARM 1** or **SET ALARM 2** to confirm.

Tip

- To check the alarm time ,press **AL1** or **AL2** button.

Deactivate the alarm

There are 3 ways to switch off the alarm.

24 hour alarm reset :

If you want to stop alarm immediately but retain the same setting for the following days:

- Press **ALARM RESET/SLEEP**.
 - ↳ The clock radio beeps once.

Repeat alarm :

- When alarm sounds, press **REPEAT ALARM/BRIGHTNESS CONTROL**.
 - ↳ The alarm snoozes and repeats ringing nine minutes later; (maximum 6 times)

Cancel the alarm completely:

- Press **AL1** or **AL2** once or more until **OFF** appears.

Set sleep timer

The clock radio switched off automatically after a preset period.

Press **ALARM RESET/SLEEP** repeatedly to select sleep timer period.

- ↳ **SLEEP** and **SL:120 / SL:90 /SL: 60 / SL:30 / SL: 15** will show on the display panel respectively.

To deactivate the sleep timer :

Press **ALARM RESET / SLEEP** repeatedly until **OFF** appears.

6 Others

Use the projection

You can project the clock time onto a surface with this device.

- 1 Press **PROJECTION ON/OFF**.
↳ The projection lens lights up .
- 2 Scroll the projection lens wheel to find a suitable projection surface. (maximum 180 degree left or right)
- 3 To reverse the projected time , press **REVERSE PROJECTION**.
- 4 To change the projected angle. scroll the **ROTATE PROJECTION**. (maximum 60 degree left or right)
- 5 Press **PROJECTION ON/OFF** to switch off.
↳ The Projection lens lights off.

Note

- When battery-powered, the projection lens lights up slightly to save energy.
- For a long time projection , please use AC power to operate.

Adjust brightness

Press **REPEAT ALARM/BRIGHTNESS CONTROL** repeatedly to adjust display brightness.

7 Product information

Note

- Product information is subject to change without prior notice.

Specifications

Amplifier

Rated Output Power	0.35W RMS
--------------------	-----------

Tuner (FM)

Tuning range	87.5-108 MHz
Tuning grid	50 KHz
Sensitivity	<22 dBf
- Mono, 26 dB S/N Ratio	
Search Selectivity	>28 dBf
Total Harmonic Distortion	<2%
Signal to Noise Ratio	>50 dBA

General information

Power supply	Model:
- AC power	ASUC30E-075025;
- Battery	Input: 100-240V~, 50/60 Hz; 0.3 A; Output:DC7.5V 250mV 6V, 4 x 1.5V R6/UM3

Operation Power Consumption	1.5 W
-----------------------------	-------

Standby Power Consumption	<1 W
---------------------------	------

Dimensions: Main Unit (W x H x D)	88 x 107 x 118 mm
-----------------------------------------	-------------------

Weight: -Main Unit	0.38 kg
--------------------	---------

8 Troubleshooting

Warning

- Never remove the casing of this apparatus.

To keep the warranty valid, never try to repair the system yourself.

If you encounter problems when using this apparatus, check the following points before requesting service. If the problem remains unsolved, go to the Philips web site (www.philips.com/welcome). When you contact Philips, ensure that the apparatus is nearby and the model number and serial number are available.

No power

- Ensure that the AC power plug of the unit is connected properly.
- Ensure that there is power at the AC outlet.

No sound

- Adjust the volume.

No response from the unit

- Disconnect and reconnect the AC power plug, then turn on the unit again.

Poor radio reception

- Increase the distance between the unit and your TV or VCR.
- Fully extend the FM antenna.

Alarm does not work

- Set the clock/alarm correctly.

Clock/alarm setting erased

- Power has been interrupted or the power plug has been disconnected.
- Reset the clock/alarm.

9 Notice

Any changes or modifications made to this device that are not expressly approved by Gibson Innovations may void the user's authority to operate the equipment.

Declaration of conformity



Hereby, Gibson Innovations declares that this product is in compliance with the essential requirements and other relevant provisions of Directive 1999/5/EC. You can find the Declaration of Conformity on www.philips.com/support.



Your product is designed and manufactured with high quality materials and components, which can be recycled and reused.



When this crossed-out wheeled bin symbol is attached to a product it means that the product is covered by the European Directive 2002/96/EC.

Please inform yourself about the local separate collection system for electrical and electronic products.

Please act according to your local rules and do not dispose of your old products with your normal household waste. Correct disposal of your old product helps to prevent potential negative consequences for the environment and human health.



Your product contains batteries covered by the European Directive 2006/66/EC, which cannot be disposed with normal household waste. Please inform yourself about the local rules on separate collection of batteries because correct disposal helps to prevent negative consequences for the environmental and human health.

Environmental information

All unnecessary packaging has been omitted.

We have tried to make the packaging easy to separate into three materials: cardboard (box), polystyrene foam (buffer) and polyethylene (bags, protective foam sheet.)

Your system consists of materials which can be recycled and reused if disassembled by a specialized company. Please observe the local regulations regarding the disposal of packaging materials, exhausted batteries and old equipment.



Specifications are subject to change without notice

2015 © Gibson Innovations Limited. All rights reserved.

This product has been manufactured by, and is sold under the responsibility of Gibson Innovations Ltd., and Gibson Innovations Ltd. is the warrantor in relation to this product. Philips and the Philips Shield Emblem are registered trademarks of Koninklijke Philips N.V. and are used under license from Koninklijke Philips N.V.

AJ3800_12_UM_V1.0

