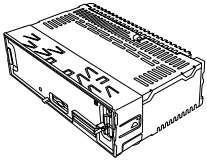
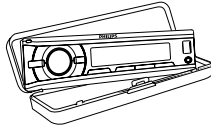




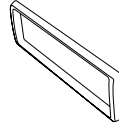
# What's in the box



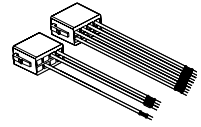
Main unit  
(with a sleeve)



Carrying case  
(includes the front panel)



Trim plate



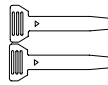
ISO male connector



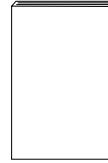
Rubber cushion



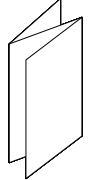
Screws  
x 4 pcs



Disassembly tools  
x 2 pcs

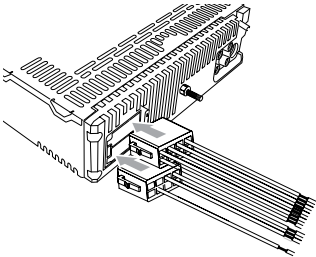


User manual



Quick start guide

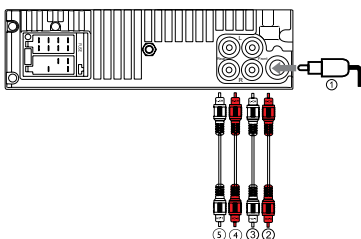
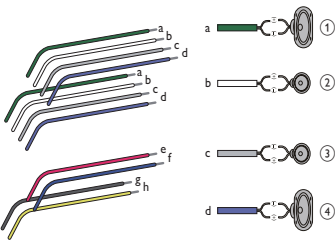
# Connect wires



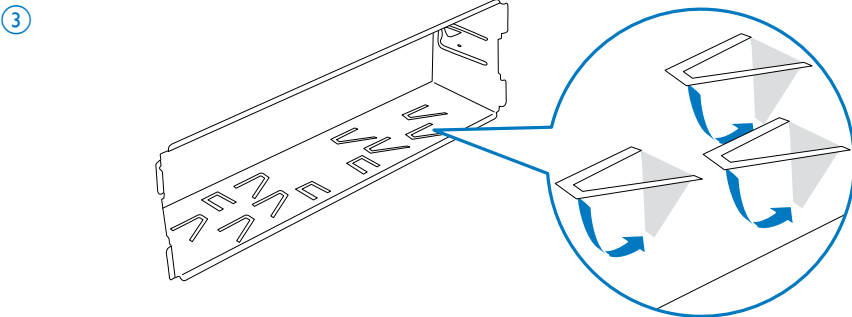
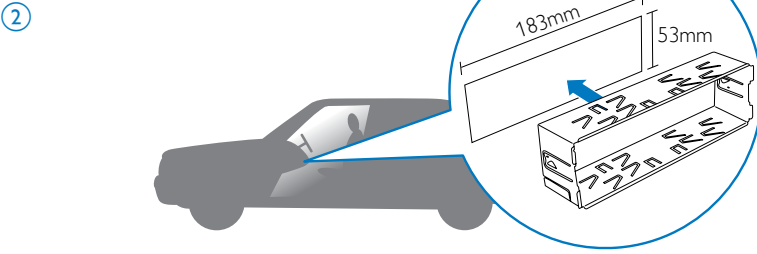
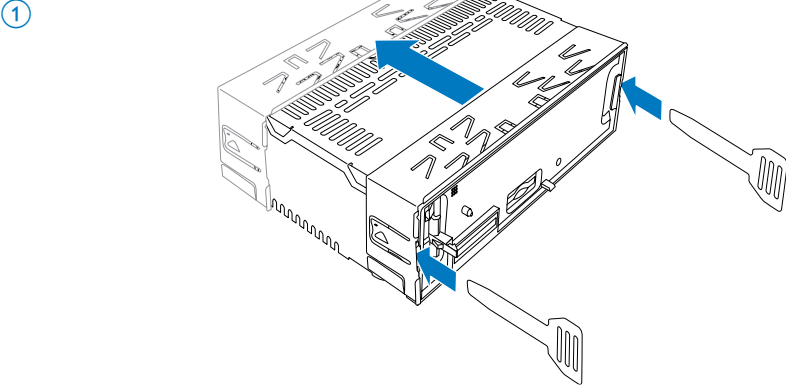
- 1 Connect the supplied male connector to the unit.
- 2 Check the car's wiring carefully and connect them to the supplied male connector.

1	Green/black strip	Left speaker (Rear)
2	White/black strip	Left speaker (Front)
3	Gray/black strip	Right speaker (Front)
4	Purple/black strip	Right speaker (Rear)
e	Red	Ignition key +12V DC when ON/ACC
f	Blue	Motor/electric antenna relay control lead/Amplifier relay control lead
g	Black	Ground
h	Yellow	To the +12V car battery which is energized at all times

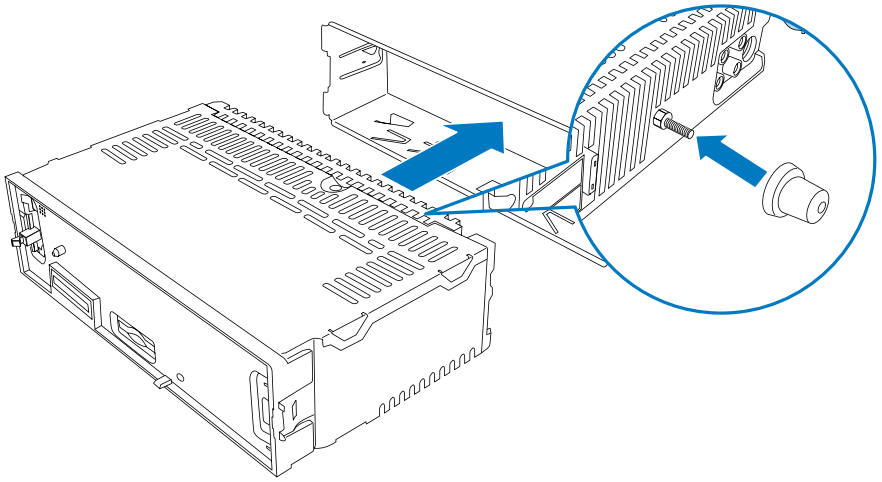
- 3 Connect the antenna and amplifier as illustrated, if applicable.



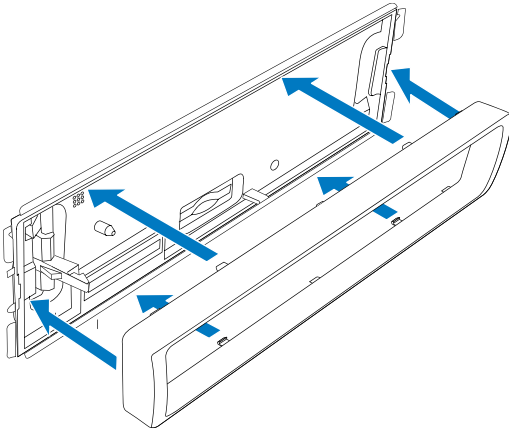
# Mount into the dashboard



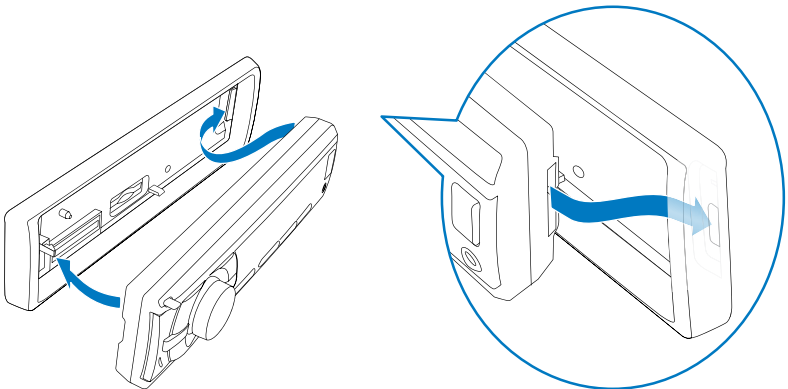
4



5



6



---

## Turn on

- 1 Press **⏻** to turn on the unit.
  - To turn off the unit, press **⏻** for over 3 seconds.

---

## Set clock

- 1 Press **MENU**.
- 2 Press **⏪/⏩** repeatedly until the current time is displayed.
- 3 Rotate **⏻** clockwise to set hour.
- 4 Press **⏻** to confirm.
- 5 Rotate **⏻** counterclockwise to set minute.
- 6 Press **⏻** to confirm.

---

## Listen to radio

- 1 Press **SOURCE** repeatedly to select radio mode.
- 2 Press **BAND/** to select band: **[FM1]**, **[FM2]**, **[FM3]**, **[AW1]** or **[AW2]**.
- 3 Press **⏪** or **⏩** to tune to a radio station manually.
  - ↳ The radio station is broadcast.
  - ↳ To search for a radio station automatically, press **⏪** or **⏩** for over 3 seconds.

---

## Store stations automatically


- 1 Press **OPTIONS** repeatedly until **[AUTO-STORE]** displays.
- 2 Press **⏻** to confirm.
  - ↳ The six strongest stations of the selected band are saved in preset channel automatically.

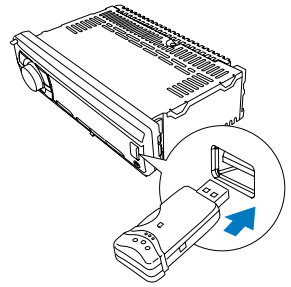
---

## Store stations manually


- 1 Tune to a station that you want to store. (see 'Tune to a preset station' on page 14)
- 2 Press and hold **+ /PRESET** or **- /RRESET** to enter storing mode.
  - ↳ The preset number starts to blink.
- 3 Press **+ /PRESET** or **- /RRESET** to select radio channel.
- 4 Press **⏻** to confirm.
  - ↳ The station is saved in the selected channel.
  - ↳ The preset number on LCD screen lights up and remains on.

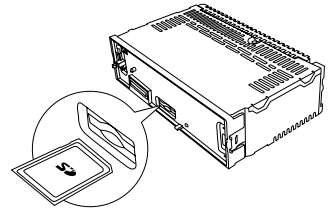
## Play from USB

- 1 Slide the USB socket cover marked  to the left.
- 2 Insert the USB device into the USB socket.  
↳ The unit starts to play from the USB device automatically.



## Insert a card

- 1 Press  to release the panel.
- 2 Push the left side of the panel rightward, then pull the panel towards you to disengage it from the chassis.
- 3 Insert the card into the card slot.  
↳ The unit starts playing from the card automatically.



## Reset

You can reset the unit to its default setting.

- 1 Detach the front panel.
- 2 Press the reset button by using a ball-point pen or a similar tool.  
↳ Preset adjustments such as preset channels and sound adjustments are erased.

