

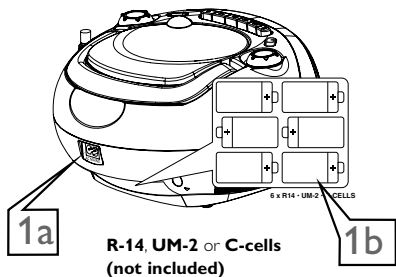
AZ1022

1 Choosing Power Supply

- a Connect the AC power cord to the **AC MAINS** inlet and the wall socket.

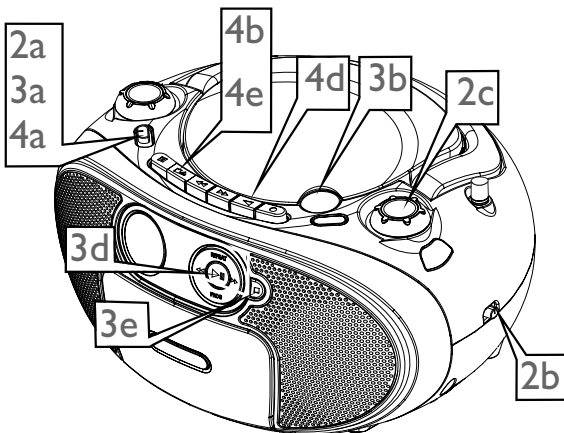
-OR-

- b Open the **battery door** and insert 6 x C batteries (not included).



2 Listening to the Radio

- a Push the **source selector** to **TUNER**.
- b Adjust **BAND** to **MW** or **FM**.
- c Turn **TUNING** to tune to a station.



3 Playing a disc

This set plays Audio Discs including CD-Recordables and CD-Rewritables.

Do not try to play a MP3, CD-ROM, CD-1, CDV, VCD, DVD or computer CD.

- a Adjust the **source selector** to **CD**.
- b Open the disc door.
- c Insert a disc with the printed side facing up and close the door.
- d Press **▶ ||** to start playback.
- e To stop disc playback, press **■**.

4 Playing a tape

- a Adjust the **source selector** to **TAPE/OFF**.
- b Press **STOP•OPEN** **■▲** to open the cassette holder.
- c Insert a cassette and close the door.
- d Press **PLAY** **◀** to start playback.
- e To stop the tape, press **STOP•OPEN** **■▲**.



VOLUME

Turn to adjust volume level.

Source selector

Slide to select function: CD, radio or tape.

CASSETTE RECORDER keys

Press to operate a tape.

Display

Show disc functions



Press to start or pause disc playback..



Briefly press to skip to the beginning of the current/previous/ later disc track; During disc playback, press and hold to find a particular passage backward/forward.

PROG

Use to program disc tracks and review a disc program.

LIFT TO OPEN

Lift to open the disc door.

Telescopic antenna

Improve FM reception.

TUNING

Turn to tune to a station.

BAND

Slide to select waveband (FM or MW)

SHUFFLE

Press to select SHUFFLE mode

REPEAT

Press to select REPEAT mode



Press to stop disc playback or erase a disc program.

DBB

Press to turn the bass enhancement on/off.

Battery door**AC MAINS**

inlet for the AC power cord.

