

Always there to help you

Register your product and get support at
www.philips.com/support



M110



User manual

PHILIPS

Contents

1	Important safety instructions	2		
2	Your phone	3		
	What is in the box	3		
	Overview of the phone	3		
	Overview of the base station	4		
3	Get started	5		
	Insert the supplied batteries	5		
	Connect the base station	5		
	Manage the cables	6		
	Configure your phone (country dependent)	7		
	What is standby mode?	7		
	Display icons	7		
4	Make a call	9		
	Answer a call	9		
	End a call	9		
	Adjust the earpiece/speaker volume	9		
	Mute the microphone	9		
	Turn the speaker on or off	9		
5	Text and numbers	10		
	Enter text and numbers	10		
	Switch between uppercase and lowercase	10		
6	Phonebook	11		
	View the phonebook	11		
	Search a record	11		
	Call from the phonebook	11		
	Add a record	11		
	Edit a record	12		
	Delete a record	12		
	Delete all records	12		
7	Call log	13		
	Call list type	13		
	View the call records	13		
	Save a call record to the phonebook	13		
	Return a call	13		
	Delete a call record	13		
	Delete all call records	14		
8	Redial list	15		
	View the redial records	15		
	Redial a call	15		
	Save a call record to the phonebook	15		
	Delete a redial record	15		
	Delete all redial records	15		
9	Phone settings	16		
	Sound settings	16		
	Set the date and time	16		
	Set the display language	16		
	Set the contrast of the screen	16		
	Dim the LCD backlight	17		
10	Services	18		
	Call list type	18		
	Network type	18		
	Auto prefix	18		
	Select the recall duration	18		
	Dial mode	19		
	Auto clock	19		
	Restore default settings	19		
11	Technical data	20		
12	Notice	21		
	Declaration of conformity	21		
	Disposal of your old product and battery	21		
13	Frequently asked questions	22		
14	Appendix	23		
	Text and number input tables	23		
15	Wall mount template	25		

1 Important safety instructions

Warning

- The voltage on the network is classified as TNV-3 (Telecommunication Network Voltages), as defined in the standard EN 60950.

To avoid damage or malfunction

Caution

- Use only the batteries listed in the user instructions.
- Risk of explosion if battery is replaced by an incorrect type.
- Dispose of used batteries according to the instructions.
- Do not dispose of batteries in fire.
- Always use the cables provided with the product.
- Do not allow the battery to come into contact with metal objects.
- Do not let small metal objects come into contact with the product. This can deteriorate audio quality and damage the product.
- Metallic objects may be retained if placed near or on the handset receiver.
- Do not use the product in places where there are explosive hazards.
- Do not open the handset or base station as you could be exposed to high voltages.

Warning

- Handsfree activation could suddenly increase the volume in the earpiece to a very high level: make sure the handset is not too close to your ear.

Caution

- Do not allow the product to come into contact with liquids.
- Do not use any cleaning agents containing alcohol, ammonia, benzene, or abrasives as these may harm the set.
- Do not expose the phone to excessive heat caused by heating equipment or direct sunlight.
- Do not drop your phone or allow objects to fall on your phone.
- Active mobile phones in the vicinity may cause interference.

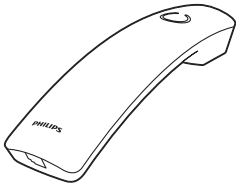
About operating and storage temperatures

- Operate in a place where temperature is always between 0°C to +40°C (up to 90% relative humidity).
- Store in a place where temperature is always between -20°C and +45°C (up to 95% relative humidity).
- Battery life may be shorter in low temperature conditions.

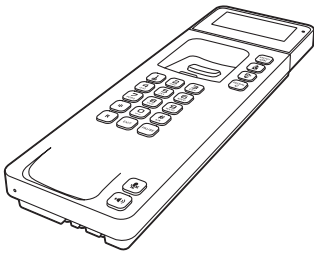
2 Your phone

Congratulations on your purchase and welcome to Philips!
To fully benefit from the support that Philips offers, register your product at www.philips.com/welcome.

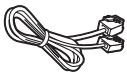
What is in the box



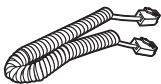
Handset



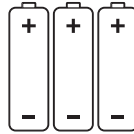
Base station



Line cord*



Coil cord



3 x AAA batteries



Guarantee



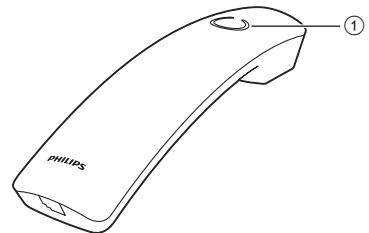
User manual

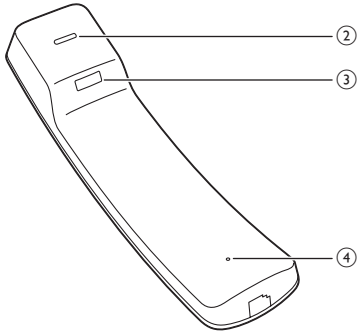


Note

- * In some countries, you have to connect the line adapter to the line cord, then plug the line cord to the telephone socket.

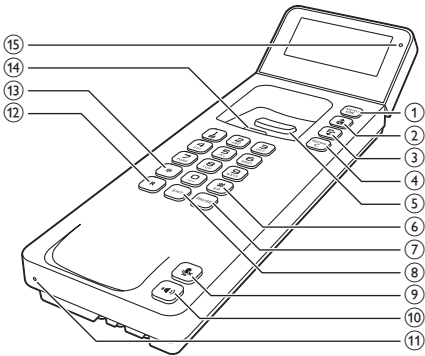
Overview of the phone





- ① Speaker
- ② Receiver
- ③ Slot to hang the handset when wall mounting
- ④ Microphone

Overview of the base station



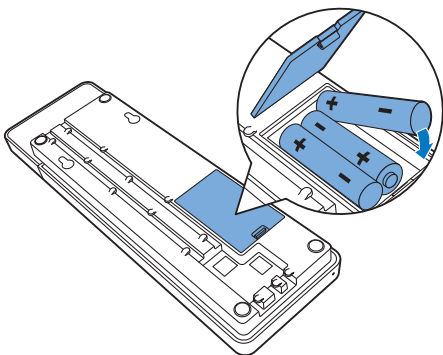
- ① **MENU/OK**
 - Access the main menu.
 - Confirm selection.
 - Enter the options menu.
- ②
 - Scroll up on the menu.
 - Increase the earpiece/speaker volume.
 - Access the phonebook
- ③
 - Scroll down on the menu.
 - Decrease the earpiece/speaker volume.
 - Access the call log.
- ④ **REDIAL/C**
 - Delete text or digits.
 - Cancel operation.
 - Access the redial list.
- ⑤ **Hang up button**
- ⑥ **#**
a/A
Switch to upper/lower case during editing.
- ⑦ **PAUSE**
Press to enter a pause when making a call.
- ⑧ **EXIT**
 - Delete text or digits.
 - Cancel operation.
- ⑨
 - Mute or unmute the microphone.
- ⑩
 - Turn the speaker phone on/off.
 - Make and receive calls through the speaker.
- ⑪ **Microphone**
- ⑫ **R**
Recall key (This function is network dependent).
- ⑬ *****
Set the dial mode (pulse mode or temporary tone mode).
- ⑭ **Hook to hang the handset when wall mounting**
- ⑮ **LED indicator**
 - It flashes when there are new missed calls or voice messages.
 - It remains steadily on when you pick up the handset or turn on the speaker.

3 Get started

! Caution

- Make sure that you have read the safety instructions in the 'Important safety instructions' section before you connect and install your phone.

Insert the supplied batteries



! Caution

- Risk of explosion! Keep batteries away from heat, sunshine or fire. Never discard batteries in fire.
- Risk of decreased battery life! Never mix different brands or types of batteries.

! Warning

- Check the battery polarity when inserting in the battery compartment. Incorrect polarity may damage the product.

☰ Note

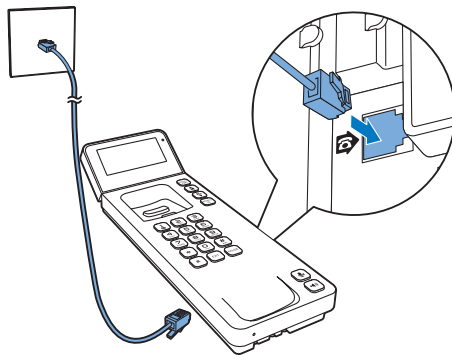
- Make sure you follow the instructions to install your phone in order to have all functions working properly.

Connect the base station

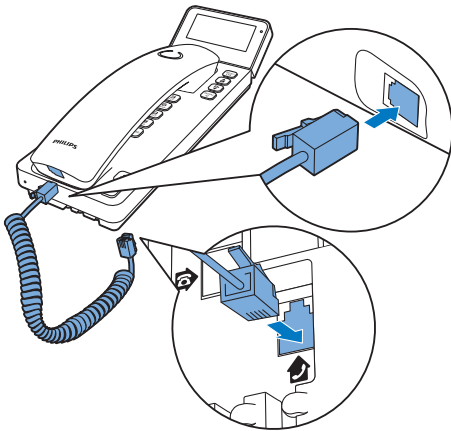
☰ Note

- If you subscribe to the digital subscriber line (DSL) high speed internet service through your telephone line, ensure you install a DSL filter between the telephone line cord and the power socket. The filter prevents noise and caller ID problems caused by the DSL interference. For more information on the DSL filters, contact your DSL service provider.
- The type plate is located on the bottom of the base station.

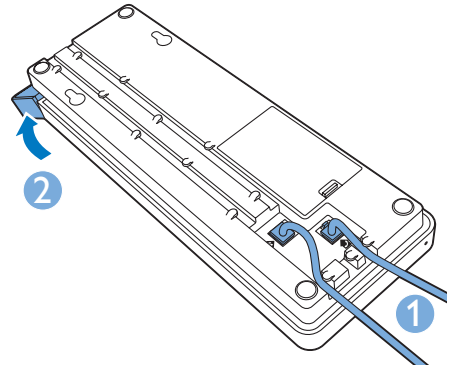
- 1 Connect each end of the line cord to:
 - the telephone socket at the bottom of the unit;
 - the telephone socket on the wall.



- 2 Connect the coil cord to the base and handset.



- 2 Lay flat the hinged display.
- 3 Cut out the template provided (see 'Wall mount template' on page 25) and place it on the wall. Then drill two holes of 61mm wide.
- 4 Fix 2 screws (not supplied) into each hole.
- 5 Hang the phone onto the screws.

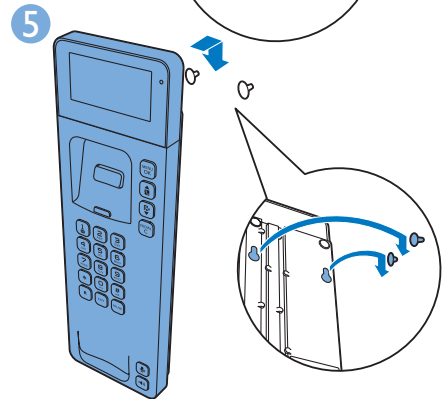
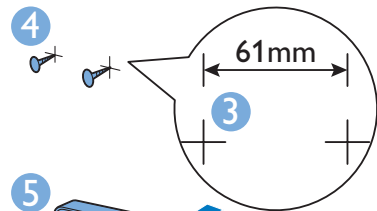
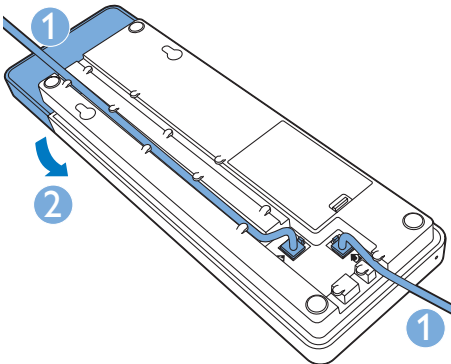


Manage the cables

You can use your phone on the desk or mount it on the wall. Refer to the following instructions to route the cables.

Use your phone on the desk

- 1 Route the cables.
- 2 Tilt the hinged display to the desired angle.



Mount your phone on the wall

- 1 Route the cables.

* Tip

- You can use the template provided for accurate measurement (see 'Wall mount template' on page 25).

Configure your phone (country dependent)

- 1 When using your phone for the first time, you see a welcome message.
- 2 Press **MENU/OK**.

Set the country/language

Select your country/language, then press **MENU/OK** to confirm.

↳ The country/language setting is saved.



Note

- The country/language setting option is country dependent. If no welcome message is displayed, it means the country/language setting is preset for your country. Then you can set the date and time.

To reset the language, see the following steps.

- 1 Select **MENU/OK** > **[Phone setup]** > **[Language]**, then press **MENU/OK** to confirm.
- 2 Select a language, then press **MENU/OK** to confirm.
↳ The setting is saved.

Set the date and time

- 1 Press **MENU/OK**.
- 2 Select **[Phone setup]** > **[Date & time]**, then press **MENU/OK** to confirm.
- 3 Pick up the handset.
- 4 Press the numeric buttons to enter the date, then press **MENU/OK** to confirm.
↳ The time setting menu is displayed.
- 5 Press the numeric buttons to enter the time.
 - If the time is in 12-hour format, press to select **[am]** or **[pm]** (Country dependent).
- 6 Press **MENU/OK** to confirm.

Your phone is now ready to use.

What is standby mode?

Your phone is in standby mode when it is idle. The date and time are displayed on the standby screen.


Display icons

In standby mode, the icons shown on the screen tell you what features are available.

Icon	Descriptions
	It is on when there is no battery.
	It flashes when the battery level is low.
	It remains steadily on when browsing answered incoming calls in the call log.
	It indicates an outgoing call in the redial list.
	It flashes when there is a new missed call or when browsing the unread missed calls in call log. It remains steadily on when browsing the read missed calls in call log.
	It flashes when receiving incoming call. It remains steadily on when you are in a call.
	The speaker is on.
	The ringer is off.
	It is on when the microphone is muted.
	It flashes when there is a new voice message. It remains steadily on when the voice messages are already viewed in the call log. The icon is not shown when there is no voice message.
	It is displayed when you scroll up / down a list or increase / decrease the volume.

▶ There are more digits on the right.
Press and hold **MENU/OK** to switch to
previous/next page.


4 Make a call

- 1 Pick up the handset or press .
- 2 Dial the phone number.
 - ↳ The number is dialed out.

You can also make a call from the redial list (see 'Redial a call' on page 15), phonebook list (see 'Call from the phonebook' on page 11) and call log (see 'Return a call' on page 13).

Answer a call

When the phone rings, you can select from the following options to answer the call:

- pick up the handset;
- press .

Note

- If you have subscribed for a caller ID service with the service provider, you will see the caller's phone number displayed on the screen.


End a call

Place the handset to the base station.


Adjust the earpiece/speaker volume

Press  /  to adjust the volume during a call.

Mute the microphone

- 1 Press  during a call.
 - ↳ **[Mute on]** is displayed.

↳ The caller cannot hear you, but you can still hear his voice.

- 2 Press  again to unmute the microphone.
 - ↳ You can now communicate with the caller.

Turn the speaker on or off

Press .

5 Text and numbers

You can enter text and numbers for phonebook records and other menu items.

Enter text and numbers

- 1 Pick up the handset when prompted.
- 2 Press once or several times on the alphanumeric key to enter the selected character.
- 3 Press **REDIAL/C** or **EXIT** to delete a character. Press and hold **REDIAL/C** or **EXIT** to delete all characters.
- 4 Press **□** to add a space.



Note

- For information on key mapping of characters and numbers, see the chapter 'Appendix'.

Switch between uppercase and lowercase

By default, the first letter of each word in a sentence is uppercase and the rest is lowercase. Press and hold **⌘/A** to switch between the uppercase and lowercase letters.

6 Phonebook

This phone has a phonebook that stores up to 25 records. You can access the phonebook from the base station. Each record can have a name up to 16 characters long and a number up to 24 digits long.

There are 2 direct access memories (Keys 1 and 2). Depending on your country, keys 1 and 2 are preset to the voice mail number and information service number of your service provider respectively. When you press and hold on the key in standby mode, the saved phone number is dialed automatically.

Note

- The availability of direct access memory is country dependent.

View the phonebook

- 1 Press or press **MENU/OK** > **[Phonebook]** > **[View]** to access the phonebook list.
- 2 Select a contact and view the available information.

Search a record

You can search the phonebook records in these ways:

- Scroll the contacts list.
- Enter the first character of the contact.

Scroll the contact list

- 1 Press or press **MENU/OK** > **[Phonebook]** > **[View]** to access the phonebook list.

- 2 Press and to scroll through the phonebook list.

Enter the first character of a contact

- 1 Pick up the handset.
- 2 Press **MENU/OK** > **[View]** to access the phonebook list.
- 3 Press the alphanumerical key that matches the character:
 - ↳ The first record that starts with this character is displayed.

Call from the phonebook

- 1 Press or press **MENU/OK** > **[Phonebook]** > **[View]** to access the phonebook list.
- 2 Select a contact in the phonebook list.
- 3 Pick up the handset or press to make the call.

Add a record



Note

- If your phonebook memory is full, a notification message will be displayed on the screen. Delete some records to add new ones.

- 1 Press **MENU/OK**.
- 2 Select **[Phonebook]** > **[Add new]**.
- 3 Pick up the handset when prompted.
- 4 Enter the name, then press **MENU/OK** to confirm.
- 5 Enter the number, then press **MENU/OK** to confirm.
 - ↳ Your new record is saved.



Tip

- Press **PAUSE** to insert a pause.
- Press once or several times on the alphanumeric key to enter the selected character.
- Press **REDIAL/C** to delete the character: Press  /  to move the cursor left and right.

- 3 Press **MENU/OK** to confirm.
↳ All records are deleted.

Edit a record

- 1 Press **MENU/OK**.
- 2 Select [**Phonebook**] > [**Edit**].
- 3 Pick up the handset when prompted.
- 4 Select a contact, then press **MENU/OK** to confirm.
- 5 Edit the name, then press **MENU/OK** to confirm.
- 6 Edit the number, then press **MENU/OK** to confirm.
↳ The record is saved.

Delete a record

- 1 Press **MENU/OK**.
- 2 Select [**Phonebook**] > [**Delete**], then press **MENU/OK** to confirm.
- 3 Select a contact, then press **MENU/OK** to confirm.
↳ A confirmation request is displayed.
- 4 Press **MENU/OK** to confirm.
↳ The record is deleted.

Delete all records

- 1 Press **MENU/OK**.
- 2 Select [**Phonebook**] > [**Delete all**], press **MENU/OK** to confirm.
↳ A confirmation request is displayed.



7 Call log

The call log stores the call history of all incoming or outgoing calls. The incoming call history includes the name and number of the caller, call time and date. This feature is available if you have registered to the caller ID service with your service provider. Your phone can store up to 40 call records. The call log icon on the screen and the LED indicator flash to remind you of any unanswered calls. If the caller allows the display of his identity, you can view his name or number. The call records are displayed in chronological order with the most recent received call at the top of the list.

Note

- Make sure that the number in the call list is valid before you can call back directly from the call list.

The icons shown on the screen tell you whether they are missed/received calls.

Icons	Description
	It remains steadily on when browsing answered incoming calls in the call log.
	It flashes when there is a new missed call. It remains steadily on when browsing read missed calls in call log.

Call list type


You can set whether you can view all incoming calls or missed calls from this menu.

Select the call list type


- 1 Press **MENU/OK**.
- 2 Select **[Services] > [Call list type]**, then press **MENU/OK** to confirm.

- 3 Select an option, then press **MENU/OK** to confirm.



View the call records

- 1 Press .
↳ The incoming call log is displayed.
- 2 Select a record, then press **MENU/OK** and select **[View]** for more available information.

Save a call record to the phonebook

- 1 Press .
↳ The incoming call log is displayed.
- 2 Select a record, then press **MENU/OK** to confirm.
- 3 Select **[Save number]**, then press **MENU/OK** to confirm.
- 4 Pick up the handset when prompted.
- 5 Enter and edit the name, then press **MENU/OK** to confirm.
- 6 Enter and edit the number, then press **MENU/OK** to confirm.
↳ The record is saved.

Return a call


- 1 Press .
- 2 Select a record on the list.
- 3 Pick up the handset or press  to make the call.

Delete a call record

- 1 Press .

- ↳ The incoming call log is displayed.
- 2 Select a record, then press **MENU/OK** to confirm.
- 3 Select [**Delete**], then press **MENU/OK** to confirm.
 - ↳ A confirmation request is displayed.
- 4 Press **MENU/OK** to confirm.
 - ↳ The record is deleted.

Delete all call records

- 1 Press 
 - ↳ The incoming call log is displayed.
- 2 Press **MENU/OK** to enter the options menu.
- 3 Select [**Delete all**], then press **MENU/OK** to confirm.
 - ↳ A confirmation request is displayed.
- 4 Press **MENU/OK** to confirm.
 - ↳ All records are deleted.

8 Redial list

The redial list stores the call history of dialed calls. It includes the names and/or numbers you have called. This phone can store up to 10 redial records.

View the redial records

Press **REDIAL/C**.

Redial a call

- 1 Press **REDIAL/C**.
- 2 Select a record, then pick up the handset or press **☎**.
↳ The number is dialed out.

Save a call record to the phonebook

- 1 Press **REDIAL/C** to enter the list of dialed calls.
- 2 Select a record, then press **MENU/OK** to confirm.
- 3 Select **[Save number]**, then press **MENU/OK** to confirm.
- 4 Pick up the handset when prompted.
- 5 Enter and edit the name, then press **MENU/OK** to confirm.
- 6 Enter and edit the number, then press **MENU/OK** to confirm.
↳ The record is saved.

Delete a redial record

- 1 Press **REDIAL/C** to enter the list of dialed calls.
- 2 Select a record, then press **MENU/OK** to confirm.
- 3 Select **[Delete]**, then press **MENU/OK** to confirm.
↳ A confirmation request is displayed.
- 4 Press **MENU/OK** to confirm.
↳ The record is deleted.

Delete all redial records

- 1 Press **REDIAL/C** to enter the list of dialed calls.
- 2 Select **[Delete all]**, then press **MENU/OK** to confirm.
↳ A confirmation request is displayed.
- 3 Press **MENU/OK** to confirm.
↳ All records are deleted.

9 Phone settings

You can customize the settings to make it your own phone.

Sound settings

Set the ringtone volume

You can select among 2 ringtone volume levels and [Off].

- 1 Press **MENU/OK**.
- 2 Select [**Phone setup**] > [**Sounds**] > [**Ring volume**], then press **MENU/OK** to confirm.
- 3 Select a volume level, then press **MENU/OK** to confirm.
↳ The setting is saved.

Set the ringtone

You can select from 10 ringtones.

- 1 Press **MENU/OK**.
- 2 Select [**Phone setup**] > [**Sounds**] > [**Ring tones**], then press **MENU/OK** to confirm.
- 3 Select a ringtone, then press **MENU/OK** to confirm.
↳ The setting is saved.

Set the key tone

Key tone is the sound made when you press a key.

- 1 Press **MENU/OK**.
- 2 Select [**Phone setup**] > [**Sounds**] > [**Key tone**], then press **MENU/OK** to confirm.
- 3 Select [**On**]/[**Off**], then press **MENU/OK** to confirm.
↳ The setting is saved.

Set the date and time

For information, see 'Set the date and time' in the 'Get started' section.

Set the display language



Note

- This feature only applies to models with multiple-language support.
- Languages available vary from country to country.

- 1 Press **MENU/OK**.
- 2 Select [**Phone setup**] > [**Language**], then press **MENU/OK** to confirm.
- 3 Select a language, then press **MENU/OK** to confirm.
↳ The setting is saved.

Set the contrast of the screen

You can set the contrast of the phone screen to different levels.

- 1 Press **MENU/OK**.
- 2 Select [**Phone setup**] > [**Contrast**], then press **MENU/OK** to confirm.
- 3 Press  /  to select an option, then press **MENU/OK** to confirm.
↳ The setting is saved.

Note

- The display brightness will drop as the batteries have been used for a period of time. You can adjust the brightness to a higher level by setting the contrast of the screen. When the display brightness is too low, change the batteries.

Dim the LCD backlight

The LCD screen is off automatically when your phone is in standby mode to save battery power. If you prefer to view the LCD screen when the phone is in standby, follow these steps to set the screen backlight to dim mode.

- 1 Press **MENU/OK**.
- 2 Select **[Phone setup] > [Dim backlight]**, then press **MENU/OK** to confirm.
- 3 Select **[On]/[Off]**, then press **MENU/OK** to confirm.
↳ The setting is saved.



Note

- When dim backlight is set to **[On]**, the LCD backlight is always on in standby mode.
- When dim backlight is set to **[Off]**, the LCD backlight is always off in standby mode.
- When you activate the dim backlight, it consumes significantly more battery power

10 Services

The phone supports a number of features that help you handle and manage the calls.

Call list type

You can set whether you can view all incoming calls or missed calls from this menu.

Select the call list type

- 1 Press **MENU/OK**.
- 2 Select **[Services]** > **[Call list type]**, then press **MENU/OK** to confirm.
- 3 Select an option, then press **MENU/OK** to confirm.

Network type

Note

- This is a country dependent feature. It only applies to models with network type support.

- 1 Press **MENU/OK**.
- 2 Select **[Services]** > **[Network type]**, then press **MENU/OK**.
- 3 Select a network type, then press **MENU/OK**.
↳ The setting is saved.

Auto prefix

This feature checks and formats your outgoing call number before it is dialed out. The prefix number can replace the detect number you set in the menu. For example, you set 604 as the detect number and 1250 as the prefix. When you have dialed out a number such as

6043338888, your phone changes the number to 12503338888 when it dials out.

Note

- The maximum length of a detect number is 5 digits. The maximum length of an auto prefix number is 10 digits.
- This is a country dependent feature.

Set auto prefix

- 1 Press **MENU/OK**.
- 2 Select **[Services]** > **[Auto prefix]**, then press **MENU/OK** to confirm.
- 3 Pick up the handset when prompted.
- 4 Enter the detect number, then press **MENU/OK** to confirm.
- 5 Enter the prefix number, then press **MENU/OK** to confirm.
↳ The setting is saved.

Note

- To enter a pause, press **PAUSE**.
- If the prefix number is set and the detect number is left empty, the prefix number is added to all outgoing calls.
- The feature is unavailable if the dialed number starts with * and #.

Select the recall duration

Make sure that the recall time is set correctly before you can answer a second call. In normal case, the phone is already preset for the recall duration. The number of available options varies with different countries. For details, consult your service provider:

- 1 Press **MENU/OK**.
- 2 Select **[Services]** > **[Recall time]**, then press **MENU/OK** to confirm.
- 3 Select an option, then press **MENU/OK** to confirm.

↳ The setting is saved.

Dial mode

Note

- This feature only applies to models that support both tone and pulse dial.

Dial mode is the telephone signal used in your country. The phone supports tone (DTMF) and pulse (rotary) dial. Consult the service provider for detailed information.

Set the dial mode

- 1 Press **MENU/OK**. Select **[Services]** > **[Dial mode]**, then press **MENU/OK** to confirm.
- 2 Select a dial mode, then press **MENU/OK** to confirm.
↳ The setting is saved.

Note

- If your phone is in pulse dial mode, press * during a call for temporary tone mode. Digits entered for this call are then sent out as tone signals.

Auto clock

Note

- This service is network dependent.
- Make sure you have subscribed to the caller ID service before you use this feature.

It synchronizes the date and time on your phone with the public switched telephone network (PSTN) automatically. For the date to be synchronized, make sure the current year is set.

- 1 Press **MENU/OK**.

- 2 Select **[Services]** > **[Auto clock]**, then press **MENU/OK** to confirm.
- 3 Select **[On]/[Off]**. Press **MENU/OK**.
↳ The setting is saved.

Restore default settings

You can reset your phone settings to the original factory settings.

- 1 Press **MENU/OK**.
- 2 Select **[Services]** > **[Reset]**, then press **MENU/OK** to confirm.
↳ A confirmation request is displayed.
- 3 Press **MENU/OK** to confirm.
↳ All settings (except the phonebook) are reset.

11 Technical data

General specification and features

- Phonebook list with 25 entries
- Redial list with 10 entries
- Call log with 40 entries
- Caller identification standard support: FSK, DTMF

Battery

- Carbon Zinc: 3 x AAA batteries

Weight and dimensions

- Handset: 130 grams
- 46 x 50 x 203 mm (H x W x D)
- Base: 300 grams
- 27 x 85.5 x 266 mm (H x W x D)

12 Notice

Declaration of conformity

Hereby, Gibson Innovations declares that this product is in compliance with the essential requirements and other relevant provisions of Directive 2014/53/EU. You can find the Declaration of Conformity on www.p4c.philips.com.

Disposal of your old product and battery



Your product is designed and manufactured with high quality materials and components, which can be recycled and reused.



This symbol on a product means that the product is covered by European Directive 2012/19/EU.



This symbol means that the product contains batteries covered by European Directive 2013/56/EU which cannot be disposed of with normal household waste. Inform yourself about the local separate collection system for electrical and electronic products and batteries. Follow local rules and never dispose of the product and batteries with normal household waste. Correct disposal of old products and batteries helps prevent negative consequences for the environment and human health.

Removing the disposable batteries

To remove the disposable batteries, see section 'Install the supplied batteries'.



When this logo is attached to a product, it means a financial contribution has been paid to the associated national recovery and recycling system.

Environmental information

All unnecessary packaging has been omitted. We have tried to make the packaging easy to separate into three materials: cardboard (box), polystyrene foam (buffer) and polyethylene (bags, protective foam sheet.)

Your system consists of materials which can be recycled and reused if disassembled by a specialized company. Please observe the local regulations regarding the disposal of packaging materials, exhausted batteries and old equipment.

13 Frequently asked questions

Note

- If the above solutions do not help, disconnect the line cord and reinstall it after 1 minute.

I have chosen a wrong language which I cannot read, what do I do?

- 1 Press **MENU/OK** to access the main menu screen.
- 2 One of the following texts appears on the screen:

Réglages > Langue

Phone setup > Language

Config. tel. > Idioma

- 3 Select it to access the language options.

- 4 Select your own language.

No dialing tone

Make sure your phone is properly connected to the line cord.

The phone does not ring.

Make sure the phone is properly connected to the line cord.

I cannot change the settings of my voice mail, what do I do?

The voice mail service is managed by your service provider but not the phone itself.

Contact your service provider to change the settings.

No display

Make sure there is power and the phone is connected.

Batteries are defective. Purchase new ones with the same specifications.

The phone does not ring.

Make sure the ringtone is turned on.

The caller ID does not display.

- The service is not activated. Check with your service provider.
- The caller's information is withheld or unavailable.

14 Appendix

Text and number input tables

Key	Upper case characters (for English/ French/ German/ Italian/Turkish/ Portuguese/Spanish/Dutch/Danish/ Finnish/Norwegian/ Swedish/Romanian/ Polish/Czech/Hungarian/Slovakian/ Slovenian/Croatian/Lithuanian/Estonian/ Latvian/Bulgarian)
0	Space . 0 , / ; " ' ! ; ? ; * + - % \ ^ ~
1	1 @ _ # = < > () & € £ \$ ¥ [] { } ¤ § ...
2	A B C 2 Å Ä Æ Á Ā Ă Ą Ą Ą Ą Ą Ą Ć Ć
3	D E F 3 È É Ê Ë Ë Ë Ë Ë Ë Δ Φ
4	G H I 4 Ğ Ĩ İ Ĵ Ĭ Ĭ Ĭ
5	J K L 5 Λ
6	M N O 6 Ñ Ó Ô Õ Ö Ö
7	P Q R S 7 Š ŝ Π Θ Σ
8	T U V 8 Ù Ú Û Ü Û Û
9	W X Y Z 9 Ø Ω Ξ Ψ Ž

Key	Lower case characters (for English/ French/ German/ Italian/Turkish/ Portuguese/Spanish/Dutch/Danish/ Finnish/Norwegian/Swedish)
0	Space . 0 , / ; " ' ! ; ? ; * + - % \ ^ ~
1	1 @ _ # = < > () & € £ \$ ¥ [] { } ¤ § ...
2	a b c 2 à â ä á ã ä å ä ä ä ä ç ĉ
3	d e f 3 è é ê ë é é ē ē Δ Φ
4	g h i 4 ğ ĩ ï ĵ ĭ ĭ ĭ Ĭ
5	j k l 5 λ
6	m n o 6 ñ ó ô õ ö ò ò
7	p q r s 7 š š ŝ Π Θ Σ
8	t u v 8 ù ú û ü ù ù ù
9	w x y z 9 ø Ω Ξ Ψ ž

Key	Upper case characters (for Greek)
0	Space . 0 , / ; " ' ! ; ? ; * + - % \ ^ ~
1	1 @ _ # = < > () & € £ \$ ¥ [] { } ¤ § ...

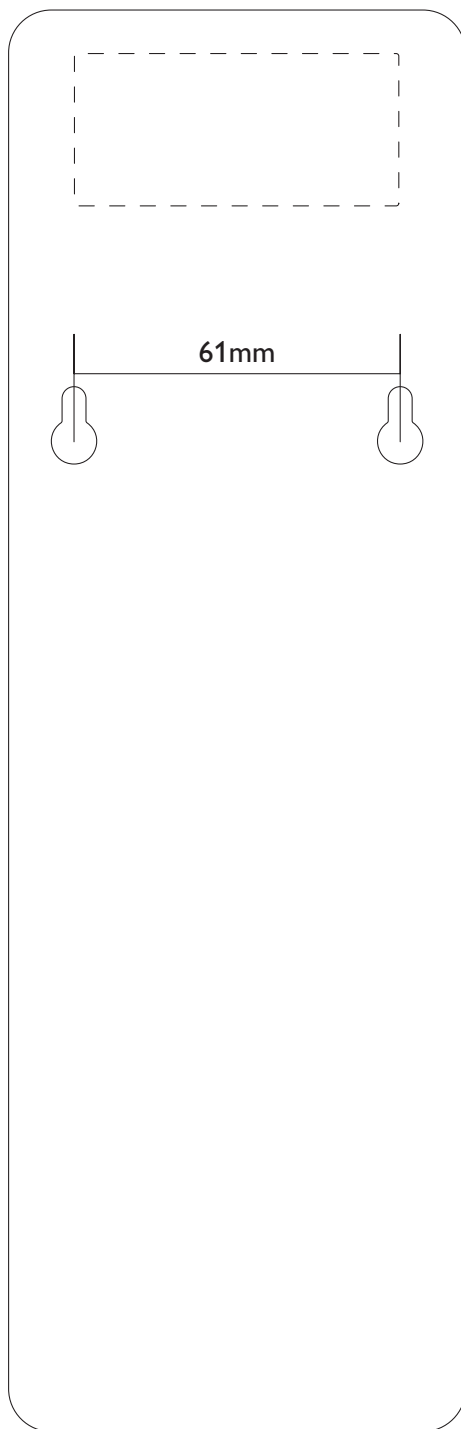
2	A B Γ 2 A B C Æ Å Ä Ç
3	Δ E Z 3 D E F É
4	H Θ I 4 G H I
5	K Λ M 5 J K L
6	N Ξ O 6 M N O Ñ Ö
7	Π Ρ Σ 7 P Q R S
8	T Υ Φ 8 T U V Ü
9	X Ψ Ω 9 W X Y Z Ø

Key	Lower case characters (for Greek)
0	Space . 0 , / ; " ' ! ; ? ; * + - % \ ^ ~
1	1 @ _ # = < > () & € £ \$ ¥ [] { } ¤ § ...
2	α β γ 2 α β c à æ ä å
3	δ ε ζ 3 d e f è é
4	η θ ι 4 g h i ì
5	κ λ μ 5 j k l λ
6	ν ξ ο 6 m n o ñ ö ò
7	π ρ σ ς 7 p q r s β
8	τ υ φ 8 t u v ù ü
9	χ ψ ω 9 w x y z ø

15 Wall mount template

Note

- This template is designed for A4 paper size printing. For other paper size, make sure the distance between two screw holes is 61mm.





2017 © Gibson Innovations Limited. All rights reserved.
This product has been manufactured by, and is sold under
the responsibility of Gibson Innovations Ltd., and Gibson
Innovations Ltd. is the warrantor in relation to this product.
Philips and the Philips Shield Emblem are
registered trademarks of Koninklijke Philips
N.V. and are used under license from
Koninklijke Philips N.V.

