

PHILIPS

CD soundmachine

AZB790

User manual



Register your product and get support at
www.philips.com/support

Contents

1 Important	2
Safety	2
Notice	3

2 Your CD Soundmachine	4
Introduction	4
What's in the box	4
Overview of the main unit	5

3 Get started	6
Connect power	6
Power on	7

4 Play	8
Play from disc	8
Play from USB	8
Control play	8
Skip tracks	9
Program tracks	9

5 Listen to the radio	9
Listen to DAB+ radio	9
Listen to FM radio	10

6 Adjust sound	12
Adjust volume level	12
Enhance bass	12
Select a preset sound effect	12

7 Other features	12
Listen to an external device	12
Adjust display brightness	13
Listen through the headphone	13

8 Product information	13
Specifications	13
USB playability information	14
Supported MP3 disc formats	14

9 Troubleshooting	15
--------------------------	----

1 Important

Safety

Read and understand all instructions before you use this micro music system. If damage is caused by failure to follow the instructions, the warranty does not apply.



This 'bolt of lightning' indicates uninsulated material within the device may cause an electrical shock. For the safety of everyone in your household, please do not remove the covering. The 'exclamation mark' calls attention to features for which you should read the enclosed literature closely to prevent operating and maintenance problems. **WARNING:** To reduce the risk of fire or electric shock, the device should not be exposed to rain or moisture and objects filled with liquids, such as vases, should not be placed on the device. **CAUTION:** To prevent electric shock, fully insert the plug. (For regions with polarized plugs: To prevent electric shock, match wide blade to wide slot.)

Warning

- Never remove the casing of this apparatus.
 - Never lubricate any part of this apparatus.
 - Never look into the laser beam inside this apparatus.
 - Never place this apparatus on other electrical equipment.
 - Keep this apparatus away from direct sunlight, naked flames or heat.
 - Ensure that you always have easy access to the power cord, plug or adaptor to disconnect the apparatus from the power.
-
- Make sure that there is enough free space around the product for ventilation.
 - Only use attachments/accessories specified by the manufacturer.
 - Battery usage **CAUTION** – To prevent battery leakage which may result in bodily injury, property damage, or damage to the product:
 - Install all batteries correctly, + and - as marked on the unit.
 - Batteries (packed or installed) shall not be exposed to excessive heat such as sunshine, fire or the like.
 - Remove batteries when the unit is not used for a long time.
 - The product shall not be exposed to dripping or splashing.
 - Do not place any source of danger on the product (e.g. liquid filled objects, lit candles).
 - Where the MAINS plug or an appliance coupler is used as the disconnect device, the disconnect device shall remain readily operable.

Hearing safety

! Caution

- To avoid hearing damage, limit the time you use the headphones at high volume and set the volume to a safe level. The louder the volume, the shorter is the safe listening time.

Be sure to observe the following guidelines when using your headphones.

- Listen at reasonable volumes for reasonable periods of time.
- Be careful not to adjust the volume as your hearing adapts.
- Do not turn up the volume so high that you can't hear what's around you.
- You should use caution or temporarily discontinue use in potentially hazardous situations.
- Excessive sound pressure from earphones and headphones can cause hearing loss.

Notice

Any changes or modifications made to this device that are not expressly approved by Gibson Innovations may void the user's authority to operate the equipment.

Compliance

Hereby, Gibson Innovations declares that this product is in compliance with the essential requirements and other relevant provisions of Directive 2014/53/EU. You can find the Declaration of Conformity on www.philips.com/support.

Care of the environment

Disposal of your old product and battery



Your product is designed and manufactured with high quality materials and components, which can be recycled and reused.



This symbol on a product means that the product is covered by European Directive 2012/19/EU.



This symbol means that the product contains batteries covered by European Directive 2013/56/EU which cannot be disposed of with normal household waste.

Inform yourself about the local separate collection system for electrical and electronic products and batteries. Follow local rules and never dispose of the product and batteries with normal household waste. Correct disposal of old products and batteries helps prevent negative consequences for the environment and human health.

Removing the disposable batteries

To remove the disposable batteries, see battery installation section.

Environmental information

All unnecessary packaging has been omitted. We have tried to make the packaging easy to separate into three materials: cardboard (box), polystyrene foam (buffer) and polyethylene (bags, protective foam sheet.)

Your system consists of materials which can be recycled and reused if disassembled by a specialized company. Please observe the local regulations regarding the disposal of packaging materials, exhausted batteries and old equipment.



The making of unauthorized copies of copy-protected material, including computer programs, files, broadcasts and sound recordings, may be an infringement of copyrights and constitute a criminal offence. This equipment should not be used for such purposes.

Care for your product

- Do not insert any objects other than discs into the disc compartment.
- Do not insert warped or cracked discs into the disc compartment.
- Remove the discs from the disc compartment if you are not using the product for an extended period of time.
- Only use microfiber cloth to clean the product.

This apparatus includes this label:



Note

- The type plate is located on the back of the product.

2 Your CD Soundmachine

Congratulations on your purchase, and welcome to Philips! To fully benefit from the support that Philips offers, register your product at www.philips.com/support.

Introduction

With this unit, you can:

- enjoy audio from discs, USB devices, and other external devices;
- listen to FM and Digital Audio Broadcasting+ (DAB+) radio

The unit offers you Dynamic Bass Boost (DBB) and Digital Sound Control (DSC) to enrich sound.

The unit supports these media formats:

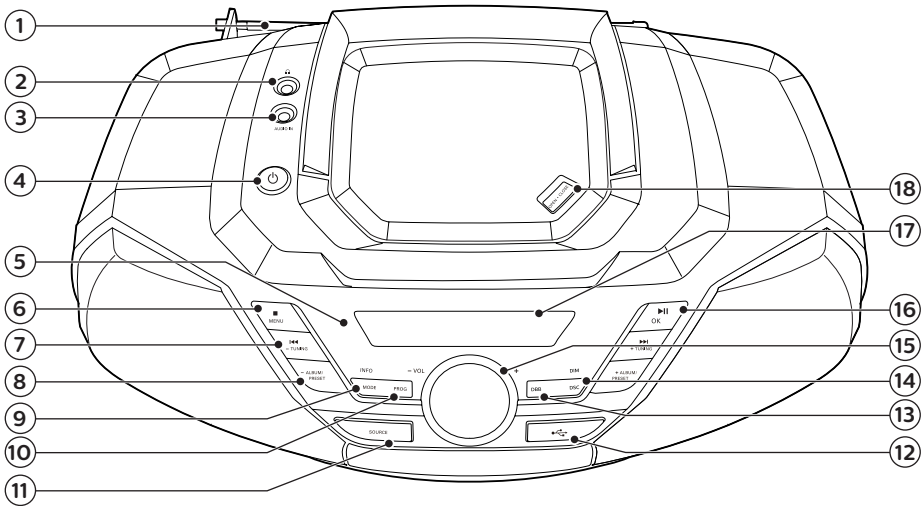


What's in the box

Check and identify the contents of your package:

- Main unit
- AC power cord
- Printed materials

Overview of the main unit



① Radio antenna

- Improve radio reception.

②

- Headphone socket.

③ AUDIO IN

- Connect external audio devices.

④

- Switch this product on or to standby.

⑤ IR sensor

⑥ / MENU

- Stop play or erase a program.
- Enter or exit DAB+ menu.

⑦ / TUNING +/-

- Skip to the previous/next track.
- Search within a track/disc/USB.
- Tune to an FM station.
- Select a DAB+ station.

⑧ ALBUM / PRESET +/-

- Select a preset radio station.
- Skip to previous/next album.

⑨ MODE/INFO

- Select shuffle mode to play tracks randomly.
- Select repeat mode to play a track or all tracks repeatedly.
- Display radio service information.

⑩ PROG

- Program tracks.
- Program radio stations.
- Auto store radio stations.

⑪ SOURCE

- Press to select a source: DISC, USB, FM, DAB+, AUDIO IN.

⑫

- Connect USB storage devices.

- ⑬ **DBB**
 - Turn dynamic bass boost on or off.
- ⑭ **DSC/DIM**
 - Select a preset sound setting.
 - Adjust display brightness.
- ⑮ **VOL +/-**
 - Adjust volume.
- ⑯ **▶||/OK**
 - Press to start, pause, or resume play.
 - Confirm or select a DAB+ option.
- ⑰ **Display panel**
 - Display current status.
- ⑱ **OPEN•CLOSE**
 - Open the disc compartment.

3 Get started



Caution

- Use of controls or adjustments or performance of procedures other than herein may result in hazardous radiation exposure or other unsafe operation.

Always follow the instructions in this chapter in sequence.

Connect power

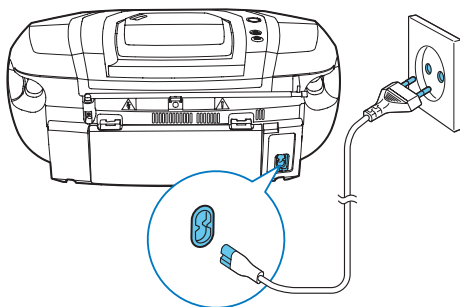
This product can be powered by either AC power or batteries.

Option 1: AC power



Caution

- Risk of product damage! Ensure that the power supply voltage corresponds to the voltage printed on the back or the underside of the unit.
- Risk of electric shock! Before you plug the AC power cord, make sure that the plug is fixed securely. When you unplug the AC power cord, always pull the plug, never pull the cord.
- Before you connect the AC power cord, make sure that you have completed all the other connections.



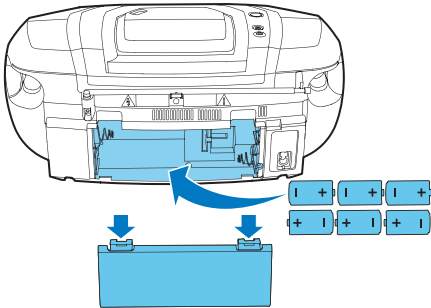
Connect the AC power cord to:

- the **AC MAINS** ~ socket on the product.
- the wall socket.

Option 2: Battery power

Batteries are not supplied with the accessories.

- 1 Open the battery compartment.
- 2 Insert 6 batteries (type: R-20 or D CELL) with correct polarity (+/-) as indicated.
- 3 Close the battery compartment.



Caution

- Batteries contain chemical substances, so they should be disposed of properly.

Power on

Press ϕ .

- ↳ The product switches to the last selected source.

Switch to standby mode

Press ϕ again to switch the product to standby.

- ↳ The backlight on the display panel turns off.



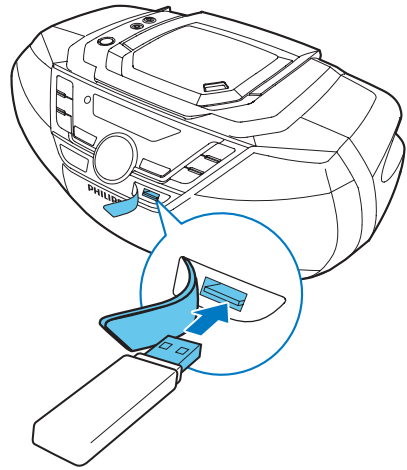
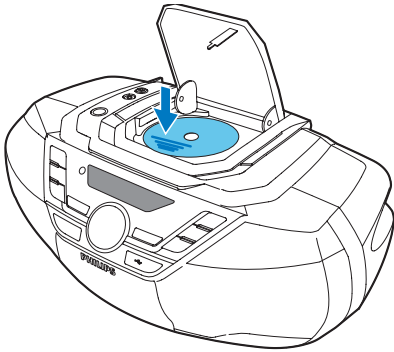
Note

- The product switches to standby mode after 15 minutes inactive.

4 Play

Play from disc


- 1 Press **SOURCE** repeatedly to select CD source.
- 2 Press **OPEN•CLOSE** to open the disc compartment.
- 3 Insert a disc with the label side up.
- 4 Close the disc compartment.
 - Play starts automatically. If not, press **▶||**.



Play from USB

Note

- Make sure that the USB device contains playable audio content.

- 1 Insert a USB device into the  socket.
- 2 Press **SOURCE** repeatedly to select the USB source.
 - ↳ Play starts automatically. If not, press **▶||**.

Control play

▶ 	Start, pause, or resume play.
■	Stop play.
ALBUM / PRESET +/-	Select an album or a folder.
◀◀ / ▶▶	Press to skip to the previous or next track. Press and hold to search backward/forward within a track.
MODE	Play a track or all tracks repeatedly. Play tracks randomly.

Skip tracks

For CD:
Press **◀◀ / ▶▶** to select tracks.

- For MP3 disc and USB:**
- 1 Press **ALBUM / PRESET +/-** to select an album or a folder.

- 2 Press **◀◀/▶▶** to select a track or a file.

Program tracks

This function allows you to program 20 tracks in the desired sequence.

- 1 In stop mode, press **PROG** to activate the program mode.
↳ [P01] is displayed.
- 2 For MP3 tracks, press **ALBUM/PRESET +/-** to select an album.
- 3 Press **◀◀/▶▶** to select a track, and then press **PROG** to confirm.
- 4 Repeat steps 2 to 3 to program more tracks.
- 5 Press **▶▶** to play the programmed tracks.

To erase the program

Press **■** twice.

5 Listen to the radio

With this product, you can listen to DAB + radio and FM radio.

Note

- Position the antenna as far as possible from TV, or other radiation source.
- For optimal reception, fully extend and adjust the position of the antenna.

Listen to DAB+ radio

Digital Audio Broadcasting+ (DAB+) is a way of broadcasting radio digitally through a network of transmitters. It provides you with more choice, better sound quality and more information.

Store DAB+ radio stations automatically

Note

- New stations and services are added in DAB+ broadcast from time to time. To make new DAB+ stations and services available, perform scan regularly.

- 1 Press **SOURCE** repeatedly to select DAB+ source.
 - If you enter DAB+ source for the first time or no DAB+ service is stored, [FULL SCAN] is prompted, then press **▶▶/OK** to trigger scan, and skip step 2 below.

- 2 Press **■/MENU** to select **[FULL SCAN]** (full scan), then press **▶II/OK**.
 - ↳ The product scans and stores all DAB+ radio stations automatically.
 - ↳ After scan, the first available station is broadcast.

Select a DAB+ radio station

After DAB+ radio stations are scanned and stored, press **◀◀/▶▶** to select a DAB+ station.

Store DAB+ radio stations manually

- 1 Press **◀◀/▶▶** to select a DAB+ radio station.
- 2 Press **PROG** to activate program mode.
- 3 Press **ALBUM / PRESET +/-** to allocate a number from 1–20 to this radio station, and then press **PROG** to confirm.
- 4 Repeat steps 1–3 to program more stations.

To select a preset DAB+ radio station:
In DAB+ mode, press **ALBUM / PRESET +/-**.

Use DAB+ menu

- 1 In DAB+ mode, press **■/MENU** to access DAB+ menu.
- 2 Press **◀◀/▶▶** to toggle the menu options, then press **▶II/OK** to select an option.
 - **[FULL SCAN]** (full scan): Scan and store all available DAB+ radio stations.
 - **[MANUAL]** (manual): Tune to a DAB+ station manually.

- **[PRUNE]** (prune): Remove invalid stations from the station list.
- **[SYSTEM]** (system): Adjust system settings.

- 3 If a sub-option is available, repeat step 2.
 - To exit the menu, press **■/MENU** again.

Under **[SYSTEM]** (system) menu

- **[RESET]** (reset): reset all settings to factory default.
- **[UPGRADE]** (upgrade): upgrade software if available.
- **[SW VER]** (software version): show the software version of this unit.

Display DAB+ information

While listening to DAB+ radio, press **INFO** repeatedly to display various information (if available), such as frequency, signal strength, time, etc.

Listen to FM radio

Tune to an FM radio station

- 1 Press **SOURCE** repeatedly to select FM source.
- 2 Press and hold **◀◀/▶▶** for more than 2 seconds.
 - ↳ The radio tunes to a station with strong reception automatically.
- 3 Repeat step 2 to tune to more stations.

To tune to a weak station:

Press **◀◀/▶▶** repeatedly until you find optimal reception.

Store FM radio stations automatically

Note

- You can store a maximum of 20 FM radio stations.

- 1 Press **SOURCE** repeatedly to select FM source.
- 2 Press and hold **PROG** for more than 2 seconds.
 - ↳ All available stations are programmed in the order of waveband reception strength.
 - ↳ The first programmed radio station is broadcast automatically.

Store FM radio stations manually

- 1 Tune to an FM radio station.
- 2 Press **PROG** to activate program mode.
- 3 Press **ALBUM / PRESET +/-** to allocate a number from 1–20 to this radio station, and then press **PROG** to confirm.
- 4 Repeat steps 1-3 to program more stations.

Note

- To overwrite a programmed station, store another station in its place.

Select a preset FM radio station

In FM mode, press **PROG** to select a preset number.

- While listening to FM radio, you may press **▶||/OK** to toggle stereo and mono sound.

Display RDS information

RDS (Radio Data System) is a service that allows FM stations to show additional information.

- 1 Tune to an FM radio station.
- 2 Press **INFO** repeatedly to display various RDS information (if available), such as station name, program type, time, etc.

6 Adjust sound

The following operations are applicable to all supported media.

Adjust volume level

- Rotate the volume knob.

Enhance bass

- Press **DBB** repeatedly to select different levels of dynamic bass enhancement.

Select a preset sound effect

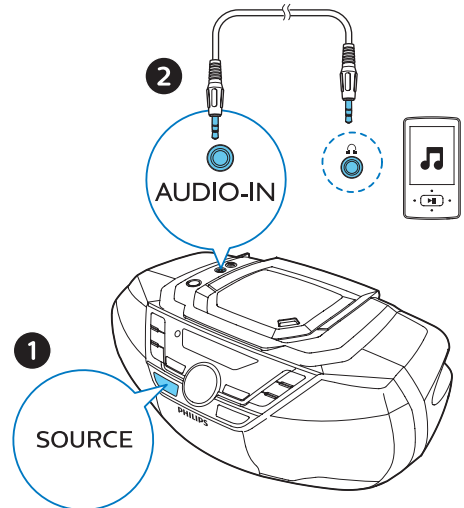
- Press **DSC/DIM** briefly and repeatedly to select a preset sound effect.

7 Other features

Listen to an external device

You can listen to an external device through this unit with an MP3 link cable.


- 1 Connect an MP3 link cable (not supplied) between:
 - **AUDIO IN** jack (3.5 mm) on the product,
 - and the headphone jack on an external device.
- 2 Press **SOURCE** repeatedly to select **AUDIO IN** source.
- 3 Start to play the device (see the device user manual).



Adjust display brightness

- Press and hold **DSC/DIM** for more than 2 seconds, then press **DSC/DIM** briefly and repeatedly to select a brightness level.

Listen through the headphone

Plug a headphone into the  socket on the unit.

8 Product information



Note

- Product information is subject to change without prior notice.

Specifications

- **Rated output power (Amplifier):**
Total 12W (max.)
- **Acoustic frequency response:**
63Hz - 20kHz
- **Speaker driver:** 2 x 4" full range,
- **Bass enhancement:** 2 x bass port
- **Support disc type:** CD, CD-R, CD-RW, MP3-CD (8/12 cm)
- **USB playback:**
 - Type A, USB Direct 2.0, 5V / 600mA, MSC file format, FAT 16/32
 - MP3, 32-320 Kbps and Variable bit rate
- **Tuner frequency range:** FM 87.5 - 108MHz; DAB 170MHz - 240MHz
- **Preset stations:** 20
- **AUDIO IN input level:**
650mV ±100mV RMS
- **Headphone:** 3.5mm jack
- **Power:** 220-240 V~, 50/60 Hz
- **Operation power consumption:** 15W
- **Standby power consumption:**
< 0.5W
- **Dimensions (W x H x D):**
435 x 170 x 271 mm
- **Weight:** 2.87 kg

USB playability information

Compatible USB devices:

- USB flash memory (USB2.0 or USB1.1)
- USB flash players (USB2.0 or USB1.1)
- memory cards (requires an additional card reader to work with this unit)

Supported USB formats:

- USB or memory file format: FAT12, FAT16, FAT32 (sector size: 512 bytes)
- MP3 bit rate (data rate): 32-320 Kbps and variable bit rate
- Directory nesting up to a maximum of 8 levels
- Number of albums/ folders: maximum 99
- Number of tracks/titles: maximum 999
- File name in Unicode UTF8 (maximum length: 32 bytes)

Unsupported USB formats:

- Empty albums: an empty album is an album that does not contain MP3/WMA files, and will not be shown in the display.
- Unsupported file formats are skipped. For example, word documents (.doc) or MP3 files with extension .dlf are ignored and not played.
- WMA, AAC, WAV, PCM audio files
- DRM protected WMA files (.wav, .m4a, .m4p, .mp4, .aac)
- WMA files in Lossless format

Supported MP3 disc formats

- ISO9660, Joliet
- Maximum title number: 128 (depending on file name length)
- Maximum album number: 99
- Supported sampling frequencies: 32 kHz, 44.1 kHz, 48 kHz
- Supported Bit-rates: 32~256 (kbps), variable bit rates

9 Troubleshooting



Warning

- Never remove the casing of this device.

To keep the warranty valid, never try to repair the system yourself.

If you encounter problems when using this device, check the following points before requesting service. If the problem remains unsolved, go to the Philips Web page (www.philips.com/support). When you contact Philips, make sure that the device is nearby and the model number and serial number are available.

No power

- Make sure that the AC power cord of the device is connected properly.
- Make sure that there is power at the AC outlet.
- Insert the batteries with their polarities (+/- signs) aligned as indicated.
- Replace the batteries.

No sound

- Adjust the volume.

No response from the unit

- Disconnect and reconnect the AC power plug, then turn on the unit again.
- As a power-saving feature, the system switches off automatically 15 minutes after track play reaches the end and no control is operated.

No disc detected

- Insert a disc.
- Check if the disc is inserted upside down.
- Wait until the moisture condensation at the lens has cleared.
- Replace or clean the disc.

- Use a finalized CD or correct format disc.

Cannot display some files in USB device

- The number of folders or files in the USB device has exceeded a certain limit. This phenomenon is not a malfunction.
- The formats of these files are not supported.

USB device not supported

- The USB device is incompatible with the unit. Try another one.

Poor radio reception

- Increase the distance between the unit and your TV or other radiation sources.
- Fully extend the radio antenna.



Copyright © 2017 Gibson Innovations Limited.

This product has been manufactured by, and is sold under the responsibility of Gibson Innovations Ltd., and Gibson Innovations Ltd. is the warrantor in relation to this product. The Philips trademark and the Philips Shield Emblem are registered trademarks of Koninklijke Philips N.V. used under license.

AZB790_12_UM_V1.0

