

PHILIPS

Party Speaker

TANX20



User manual

Register your product and get support at:
www.philips.com/support

Contents

1 Important	2
Safety	2

2 Your Party Speaker system	4
Introduction	4
What's in the box	4
Overview of the main unit	5
Basic playback	7

3 Basic Playback	8
Charging operation	8
Get started	10

4 Play from a disc or USB	11
Play from a USB storage device	11
Control play	11

5 Play audio through Bluetooth	12
Connect a device	12
Play from Bluetooth device	12
Disconnect a device	13

6 Other features	14
Listen to an external device	14
Turn decorative light on or off	14

7 Product information	15
Specifications	15
USB playability information	15
Supported MP3 disc formats	15
Maintenance	15

8 Troubleshooting	17
About Bluetooth device	17

9 Notice	18
Compliance	18
Care of the environment	18
Trademark notice	18

1 Important

Safety

Know these safety symbols



This 'bolt of lightning' indicates uninsulated material within your unit may cause an electrical shock. For the safety of everyone in your household, please do not remove product covering.

The 'exclamation point' calls attention to features for which you should read the enclosed literature closely to prevent operating and maintenance problems.

WARNING: To reduce the risk of fire or electric shock, this apparatus should not be exposed to rain or moisture and objects filled with liquids, such as vases, should not be placed on this apparatus.

CAUTION: To prevent electric shock, match wide blade of plug to wide slot, fully insert.

Warning

- Never remove the casing of this device.
- Never lubricate any part of this device.
- Never place this device on other electrical equipment.
- Keep this device away from direct sunlight, naked flames or heat.
- Never look into the laser beam inside this device.
- Ensure that you always have easy access to the power cord, plug, or adaptor to disconnect this device from the power.

- Do not use this apparatus near water.
- Install in accordance with the manufacturer's instructions.
- Do not install near any heat sources such as radiators, heat registers, stoves, or other apparatus (including amplifiers) that produce heat.

- Protect the power cord from being walked on or pinched, particularly at plugs, convenience receptacles, and the point where they exit from the apparatus.
- Only use attachments/accessories specified by the manufacturer.
- Use only with the cart, stand, tripod, bracket, or table specified by the manufacturer or sold with the apparatus. When a cart is used, use caution when moving the cart/apparatus combination to avoid injury from tip-over.



- Unplug this apparatus during lightning storms or when unused for long periods of time.
- Refer all servicing to qualified service personnel. Servicing is required when the apparatus has been damaged in any way, such as power-supply cord or plug is damaged, liquid has been spilled or objects have fallen into the apparatus, the apparatus has been exposed to rain or moisture, does not operate normally, or has been dropped.
- Apparatus shall not be exposed to dripping or splashing.
- Do not place any sources of danger on the apparatus (e.g. liquid filled objects, lighted candles).

- Where the MAINS plug or an appliance coupler is used as the disconnect device, the disconnect device shall remain readily operable.



Caution

- Use of controls or adjustments or performance of procedures other than herein may result in hazardous laser exposure or other unsafe operation.

Be sure to observe the following guidelines when using your headphones.

- Listen at reasonable volumes for reasonable periods of time.
- Be careful not to adjust the volume as your hearing adapts.
- Do not turn up the volume so high that you can't hear what's around you.
- You should use caution or temporarily discontinue use in potentially hazardous situations.



Note

- The type plate is located on the back of the unit.

Listen at a moderate volume.

- Using headphones at a high volume can impair your hearing. This product can produce sounds in decibel ranges that may cause hearing loss for a normal person, even for exposure less than a minute. The higher decibel ranges are offered for those that may have already experienced some hearing loss.
- Sound can be deceiving. Over time your hearing 'comfort level' adapts to higher volumes of sound. So after prolonged listening, what sounds 'normal' can actually be loud and harmful to your hearing. To guard against this, set your volume to a safe level before your hearing adapts and leave it there.

To establish a safe volume level:

- Set your volume control at a low setting.
- Slowly increase the sound until you can hear it comfortably and clearly, without distortion.

Listen for reasonable periods of time:

- Prolonged exposure to sound, even at normally 'safe' levels, can also cause hearing loss.
- Be sure to use your equipment reasonably and take appropriate breaks.

2 Your Party Speaker system

Congratulations on your purchase, and welcome to Philips! To fully benefit from the support that Philips offers, register your product at www.Philips.com/welcome.

Introduction

With this product, you can

- enjoy audio from USB storage devices, Bluetooth enabled devices, or other external devices;

To enrich sound, this product offers you these sound effects:

- Treble & Bass.

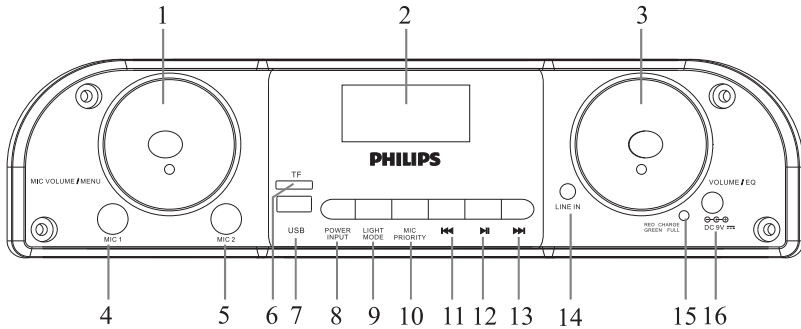
What's in the box

Check and identify the contents of your package:

- Main unit *1
- BS & VDE DC adaptor *1
- Quick start guide *1
- Safety Sheet *1
- World-wide warranty card *1

Overview of the main

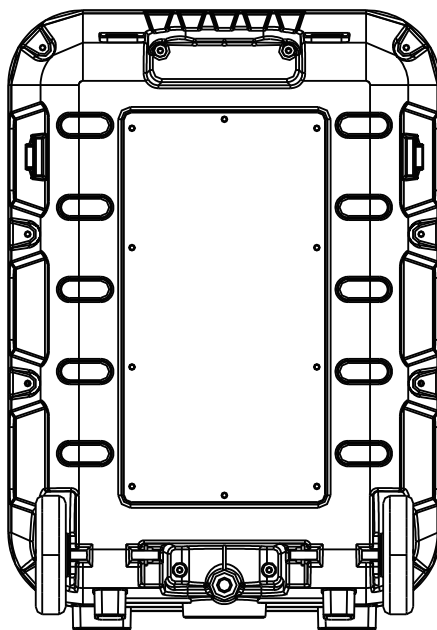
PANEL:



1. MIC VOLUME/MENU KNOB
2. LED DISPLAY
3. VOLUME/EQ PUSH KNOB
4. MIC1 IN SOCKET
5. MIC2 IN SOCKET
6. TF CARD INPUT
7. USB CARD
8. POWER/INPUT
9. LIGHT/MODE
10. MIC PRIORITY
11. PREVIOUS SONG
12. PLAY/PAUSE/FM
13. NEXT SONG
14. LINE INPUT
15. LED CHARGE STATUS:
RED = CHARGING
GREEN = FULLY CHARGED
16. DC 9V INPUT

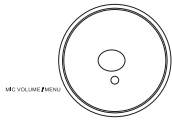
Overview of the main unit

REAR PANEL:



Basic Playback

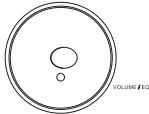
PANEL FUNCTION OPERATION



- **MIC VOLUME/MENU:** Press and turn the knob to adjust level of volume (IU), echo (EC), delay (dI), bass (Ib), treble (IE) of the microphone.



- **LED display**



- **VOLUME/EQ:** Turn the knob to adjust the music volume (U). Press the knob to switch between EQ modes: Bass (bA), Treble (tr), JAZZ.



- 2 external 5mm wired microphone port are available.



- TF Card port



- USB port.



- **POWER/INPUT:** Short press to turn on/off the unit and long press to INPUT menu which includes:USB/TF/FM/BT/LINE IN.



- **LIGHT/MODE** (Light mode selection & Light on/off).



- Microphone priority on/off button.



- Previous track.



- **Play/Pause/FM:** Play and pause, Press 3 seconds enter FM channel automatic searching and store.



- Next programme.



- 3.5 MM LINE IN input



- **LED CHARGE STATUS:** RED = Charging GREEN = Fully charged



- DC 9V input

Basic Playback

CHARGING OPERATION

- **CHARGING THE SPEAKER:** Connect the provided adaptor to the DC 9V input on the unit and plug the other end into 100-240V power supply. Red light indicates charging, and green light indicates fully charged.
- **LED indicator of battery level:**
 - GREEN light up=app. 100% full
 - 3 LED RED light up=app. 70 % battery
 - 2 LED RED light up=app. 40 % battery
 - 1 LED RED light up=app. 20% battery (indicating charging is needed)

3 Get started



Caution

- Use of controls or adjustments or performance of procedures other than herein may result in hazardous laser exposure or other unsafe operation.

Always follow the instructions in this chapter in sequence.

If you contact Philips, you will be asked for the model and serial number of this apparatus. The model number and serial number are on the back of the apparatus. Write the numbers here:

Model No. _____


Serial No. _____

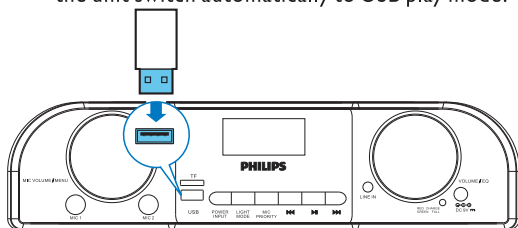
4 Play from USB

Play from a USB storage device

Note

- Make sure that the USB device contains playable audio contents in supported formats.

- 1 Press **POWER** button to switch on the unit.
- 2 Insert the USB plug of the device into the  socket, the unit switch automatically to USB play mode.



- 3 Press **◀◀ / ▶▶** to select an audio track.
▶▶ Play starts automatically.

Control play

In USB mode, follow the instructions below to control play.

Button	Action
◀◀ / ▶▶	Press to skip to the previous or next track.
volume	Rotating knob Increase/decrease volume
▶▶	Press to pause or resume play.

Connect power



Caution

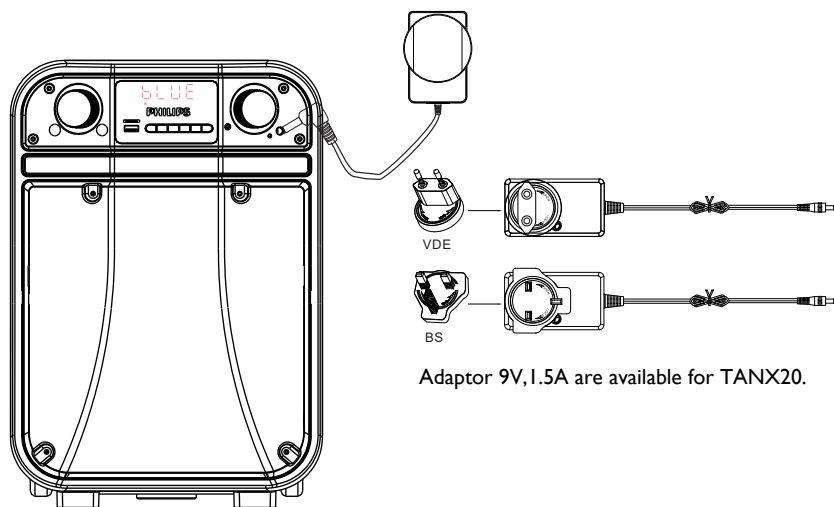
- Risk of product damage! Make sure that the power supply voltage corresponds to the voltage printed on the back or the underside of the product.
- Risk of electric shock! When you unplug the power cord, always pull the plug from the socket. Never pull the cord.



Note

- Before connecting to AC power, make sure that you have completed all other connections.

Connect the Adaptor to the DC IN jack on the front panel of the unit.
then Plug the other end of the DC power cord into a power outlet .



Adaptor 9V, 1.5A are available for TANX20.

Turn on



POWER
INPUT

→ Press and hold for 3 seconds to switch on/off the unit.

5 Play audio through Bluetooth

The product can stream music from your Bluetooth device to the system through Bluetooth.

Connect a device



Note


- Before pairing a device with this product, read its user manual for Bluetooth compatibility.
- Any obstacle between this product and a Bluetooth device can reduce the operational range. Keep away from any other electronic device that may cause interference.
- The operational range between this product and a Bluetooth device is approximately 10 meters (30 feet).

Play from Bluetooth device


After successful Bluetooth connection, play audio on the Bluetooth device.

- ↳ Audio streams from your Bluetooth device to this product.

Connect a device manually

- 1 Press  button to select the bluetooth mode.
- 2 On your Bluetooth device, enable Bluetooth and search for Bluetooth devices that can be paired (see the user manual of the device).
- 3 Select [**Philips NX20**] displayed on your device for pairing.
 - ↳ After successful connection, the bluetooth indicator keep solid.

Disconnect a device

- Press INPUT to switch to the other source;
- Disable Bluetooth on your device;
- Move the device beyond the communication range
- Long press  on the unit.



Note

- Before connecting another Bluetooth device, disconnect the current device first.

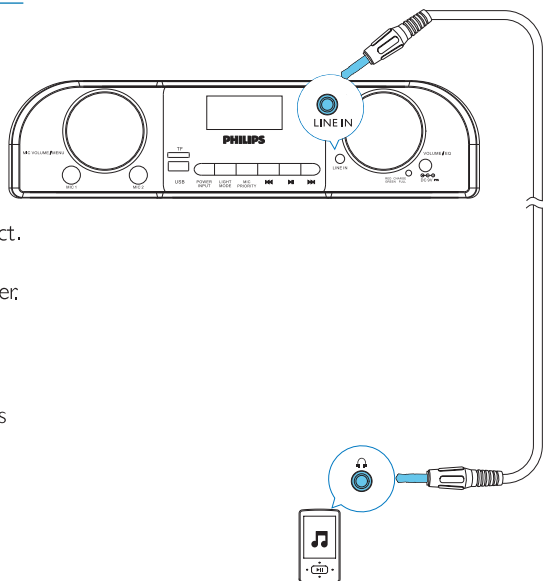
6 Other features

Listen to an external device

With this product, you can listen to an external audio device such as an MP3 player.

Play from an MP3 player

- 1 Turn on the Speaker.
- 2 Connect an audio input cable (not supplied) with a 3.5 mm connector on both ends to:
 - the **LINE IN** socket on the product.
 - the headphone socket on the MP3 player.
 - the unit switch to the **LINE IN** mode automatically .
- 3 Play audio on the MP3 player (refer to its user manual).



Turn decorative light on or off

In power-on mode, press **LIGHT** to select a speaker light color or turn the light off:

7 Product information

Specifications

Amplifier

DC Output Power	Maximum 20W
Battery Output Power	20W
Frequency Response	70Hz-15kHz; ± 3 dB
Signal to Noise Ratio	≥ 60 dBA
Total Harmonic Distortion	$< 1\%$

Speaker

Speaker Impedance	4 ohm
Sensitivity	87 ± 3 dB/m/W

USB

USB Direct Version	2.0 Full Speed
Charging support	5V, 500mA

Bluetooth

Bluetooth Version	V4.2
Bluetooth Frequency Band	2.402Ghz ~ 2.48 GHz ISM Band
Bluetooth Range	10 m(free space)

Battery

Battery capacity	Built in rechargeable 7.4V 2000mAh
------------------	---------------------------------------

General information

DC Power	DC 9V, 1.5A
Eco Standby Power Consumption	≤ 0.5 W

Dimensions

- Main Unit (W x H x D)	280*450*295 mm
-------------------------	----------------

Weight

- Main Unit	4.5kg
-------------	-------

USB playability information

Compatible USB devices:

- USB flash memory (USB 2.0)
- USB flash players (USB 2.0)
- memory cards (requires an additional card reader to work with this unit)

Supported formats:

- USB or memory file format FAT12, FAT16, FAT32 (sector size: 512 bytes)
- MP3 bit rate (data rate): 32-320 Kbps and variable bit rate
- Directory nesting up to a maximum of 8 levels
- Number of albums/ folders: maximum 99
- Number of tracks/titles: maximum 999
- File name in Unicode UTF8 (maximum length: 128 bytes)

Unsupported formats:

- Empty albums: an empty album is an album that does not contain MP3 files, and is not be shown in the display.
- Unsupported file formats are skipped. For example, Word documents (.doc) or MP3 files with extension .dlf are ignored and not played.
- AAC, PCM audio files

Maintenance

Clean the cabinet

- Use a soft cloth slightly moistened with a mild detergent solution. Do not use a solution containing alcohol, spirits, ammonia or abrasives.

Supported MP3 formats

- Maximum title number: 999 (depending on file name length)
- Maximum album number: 64
- Supported sampling frequencies: 32 kHz, 44.1kHz, 48 kHz
- Supported Bit-rates: 32-320 (kbps), variable bit rates

8 Troubleshooting



Caution

- Never remove the casing of this unit.

To keep the warranty valid, never try to repair the system yourself.

If you encounter problems when using this unit, check the following points before requesting service. If the problem remains unsolved, go to the Philips web site (www.philips.com/support). When you contact Philips, ensure that your unit is nearby and the model number and serial number are available.

No power

- Make sure that the **DC adaptor** of the unit is connected properly.
- Make sure that there is power at the **DC adaptor**

No sound or poor sound

- Adjust the volume. or **recharge the speaker unit.**

No response from the unit

- Disconnect and reconnect the **DC adaptor**, then turn on the unit again.

Cannot display some files in USB device

- The number of folders or files in the USB device has exceeded a certain limit. This phenomenon is not a malfunction.
- The formats of these files are not supported.

USB device not supported

- The USB device is incompatible with the unit. Try another one.

About Bluetooth device

The audio quality is poor after connection with a Bluetooth-enabled device.

- The Bluetooth reception is poor. Move the device closer to this product or remove any obstacle between them.

Cannot connect with the device.

- The Bluetooth function of the device is not enabled. Refer to the user manual of the device for how to enable the function.
- This product is already connected with another Bluetooth-enabled device. Disconnect that device and then try again.

The paired device connects and disconnects constantly.

- The Bluetooth reception is poor. Move the device closer to this product or remove any obstacle between them.
- For some devices, Bluetooth connection may be deactivated automatically as a power-saving feature. This does not indicate any malfunction of this product.

9 Notice

Any changes or modifications made to this device that are not expressly approved by **MMD Hong Kong Holding Limited** may void the user's authority to operate the equipment.

Care of the environment

Disposal of your old product and battery



Your product is designed and manufactured with high quality materials and components, which can be recycled and reused.



This symbol on a product means that the product is covered by European Directive 2012/19/EU.



This symbol means that the product contains batteries covered by European Directive

2013/56/EU which cannot be disposed of with normal household waste.

Inform yourself about the local separate collection system for electrical and electronic products and batteries. Follow local rules and never dispose of the product and batteries with normal household waste. Correct disposal of old products and batteries helps prevent negative consequences for the environment and human health.

Removing the disposable batteries

To remove the disposable batteries, see battery installation section.

Environmental information

All unnecessary packaging has been omitted. We have tried to make the packaging easy to separate into three materials: cardboard (box), polystyrene foam (buffer) and polyethylene (bags, protective foam sheet.)

Your system consists of materials which can be recycled and reused if disassembled by a specialized company. Please observe the local regulations regarding the disposal of packaging materials, exhausted batteries and old equipment.

Trademark notice



The Bluetooth® word mark and logos are registered trademarks owned by Bluetooth SIG, Inc. and any use of such marks by **MMD Hong Kong Holding Limited** is under license. Other trademarks and trade names are those of their respective owners.



This is CLASS II apparatus with double insulation, and no protective earth provided.

 **Be responsible**
Respect copyrights

The making of unauthorized copies of copy-protected material, including computer programs, files, broadcasts and sound recordings, may be an infringement of copyrights and constitute a criminal offence. This equipment should not be used for such purposes.



Specifications are subject to change without notice.

Philips and the Philips Shield Emblem are registered trademarks of Koninklijke Philips N.V. and are used under license. This product has been manufactured by and is sold under the responsibility of MMD Hong Kong Holding Limited, or one of its affiliates, and MMD Hong Kong Holding Limited, is the warrantor in relation to this product.

