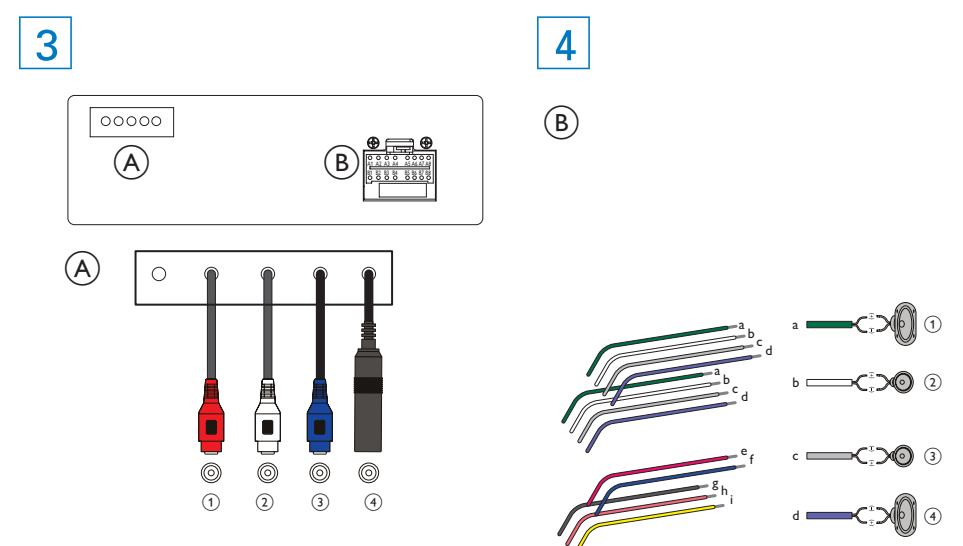
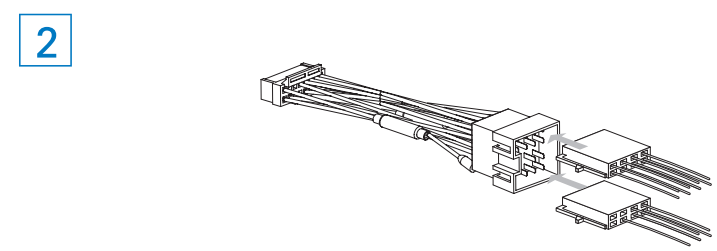
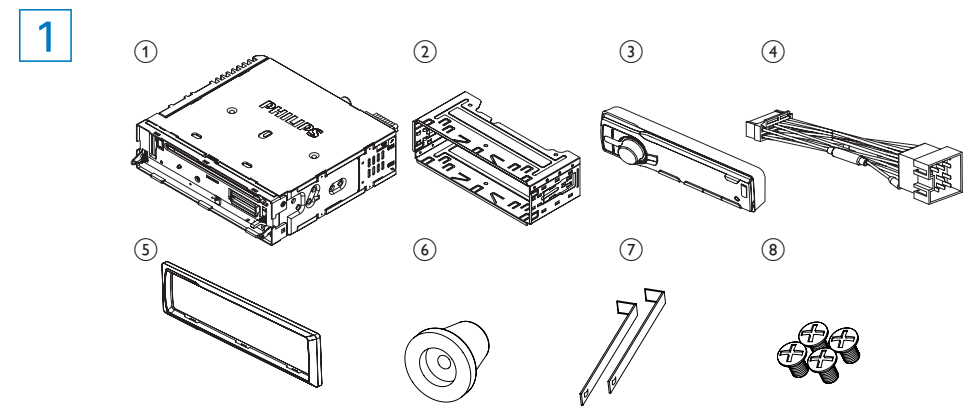




EN Quick Start Guide

# PHILIPS



### Overview of parts 1

These are the supplied parts needed to connect and install this unit.

- 1 In-car audio system
- 2 Sleeve
- 3 Front panel
- 4 Trim plate
- 5 Rubber cushion
- 6 Disassembly tools
- 7 Screws (4 pieces)
- 8 ISO connector

### Connection

#### ! Caution

- Ensure that all loose leads are insulated with electrical tape.

#### For cars with ISO connectors 2 3

- 1 Pull out the ISO connectors from car dashboard and connect them to the bigger end of the supplied standard connector.
- 2 Connect the other end of the supplied standard connector to the unit.
- 3 Connect the antenna and amplifier as illustrated, if applicable.

Connector	Connect to
1 REAR LINE OUT R	Rear right speaker
2 REAR LINE OUT L	Rear left speaker
3 SUB OUT	Subwoofer
4 ANTENNA	Antenna

#### For cars with ISO connectors 3 4

#### ! Caution

- Be sure to connect the black ground (earth) lead first.

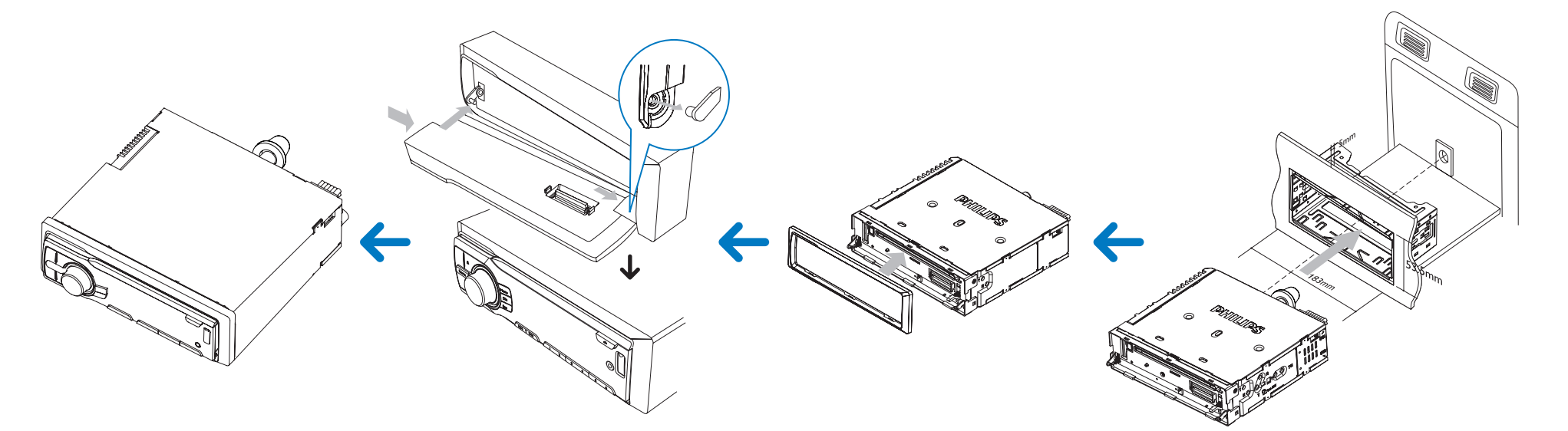
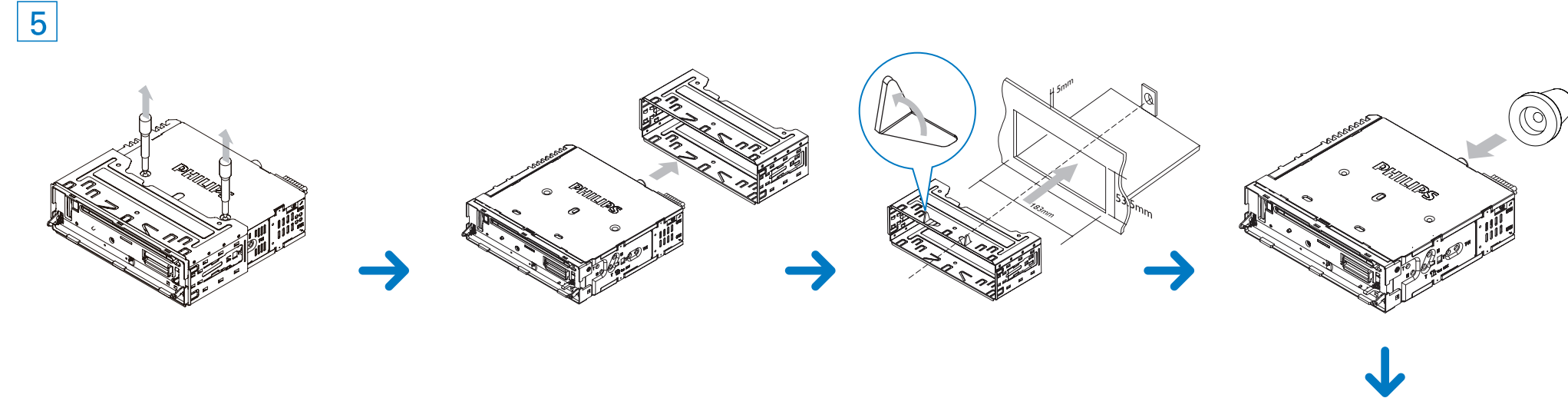
- 1 Connect the antenna and amplifier as illustrated, if applicable.
- 2 Cut off the bigger end of the supplied standard connector.
- 3 Check the car's wiring carefully and connect them to the supplied standard connector.
- 4 Connect the supplied standard connector to the unit.

1 Green/black strip	Left speaker (Rear)
2 White/black strip	Left speaker (Front)
3 Gray/black strip	Right speaker (Front)
4 Purple/black strip	Right speaker (Rear)

e RED	Ignition key +12V DC when ON/ACC
f BLUE	Motor/electric antenna relay control lead/Amplifier relay control lead
g BLACK	Ground
h PINK	Illumination switch
i YELLOW	To the +12V car battery which is energized at all times

#### Attach the front panel 5

- 1 Attach the trim plate.
- 2 Insert the right side of the panel in the chassis until it is correctly engaged.
- 3 Press the left side of the panel and point the left hole at the left pillar.



- 4 Release the panel to engage the left side.

#### Mount in the dashboard 5

- 1 If the car does not have an on-board drive or navigation computer, disconnect the negative terminal of the car battery.
  - If you disconnect the car battery in a car that has an on-board drive or navigation computer, the computer may lose its memory.
  - If the car battery is not disconnected, to avoid short-circuit, ensure that bare wires do not touch each other.
- 2 Remove the two screws on the top of the unit.
- 3 Remove the mounting sleeve with the supplied disassembly tools.
- 4 Ensure that car dashboard opening is within these measurements:
- 5 Install the sleeve into the dashboard and bend the tabs outward to fix the sleeve.
- 6 Place the rubber cushion over the end of the bolt.
- 7 Slide the unit into the dashboard until you hear a click sound.
- 8 Reconnect the negative terminal of the car battery.

#### Turn on

- 1 Press  $\odot$  to turn on the unit.
  - To turn off the unit, press  $\odot$  for 3 seconds.

#### Set clock

- 1 Press MENU/DISP for 3 seconds.
- 2 Press  $\blacktriangle$  or  $\blacktriangledown$  repeatedly until the currently time is displayed.
- 3 Turn  $\odot$  clockwise to set hour.
- 4 Press  $\odot$  to confirm.
- 5 Turn  $\odot$  anti-clockwise to set minute.

- 6 Press  $\odot$  to confirm.

#### View clock

- 1 Press MENU/DISP repeatedly until the clock is displayed.

#### Listen to radio

- 1 Press SOURCE repeatedly to select Radio.
- 2 Press  $\blacktriangle$  or  $\blacktriangledown$  to select band: [FM1], [FM2], [FM3], [AM1], or [AM2].
- 3 Press  $\blacktriangleleft$  or  $\blacktriangleright$  to tune to a radio station manually.
  - $\blacktriangleleft$  The radio station is broadcast.
  - $\blacktriangleright$  To search for a radio station automatically, press  $\blacktriangleleft$  or  $\blacktriangleright$  for 3 seconds.

#### Play with RDS

The RDS (Radio Data System) function operates only in areas with FM stations broadcasting RDS signals. If you tune to an RDS station, an RDS icon and information about the presenter, station or program is displayed.

#### Turn on RDS

##### Note

- By default, the RDS function is off.

- 1 Press MENU/DISP for 3 seconds.
- 2 Turn  $\odot$  to select [RDS ON]:
  - $\blacktriangleleft$  [RDS] is displayed.
  - To turn off the RDS function, repeat steps above and choose [RDS OFF].

#### Play audio files

- 1 Press  $\blacktriangleleft$  on the front panel to release the panel.
- 2 Insert a CD with the printed side facing up.
- 3 Close the panel.
- 4 Press  $\blacktriangleright$ , to start play.
  - To pause CD play, press  $\blacktriangleright$ .

- To resume CD play, press  $\blacktriangleright$  again.

#### Insert the USB device

- 1 Open the cover marked  $\blacktriangleleft$  on the front panel.
- 2 Insert the USB device into the USB socket.
  - $\blacktriangleleft$  The unit starts playing from the USB device automatically.

#### Insert SD/MMC card

- 1 Press  $\blacktriangleleft$  to release the panel.
- 2 Insert the SD or MMC card into the card slot.
  - $\blacktriangleleft$  The unit starts playing from the SD/MMC card automatically.