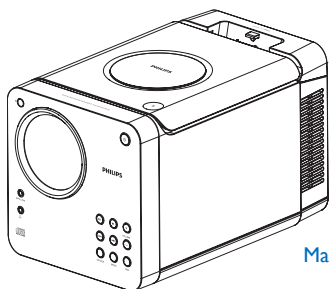
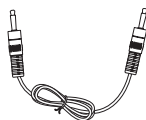


Quick Start Guide



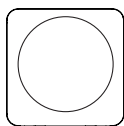
Main unit



1 x MP3 link cable



Remote Control



2 x Loudspeaker boxes

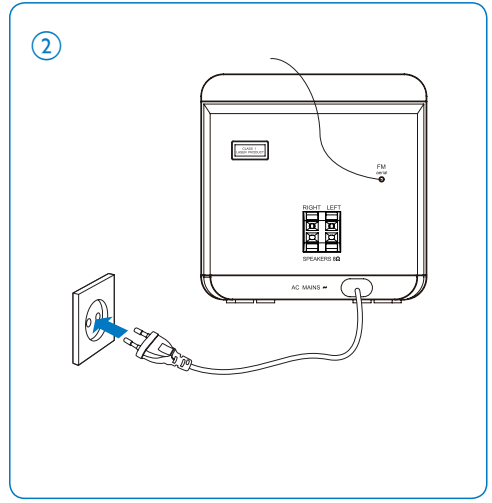
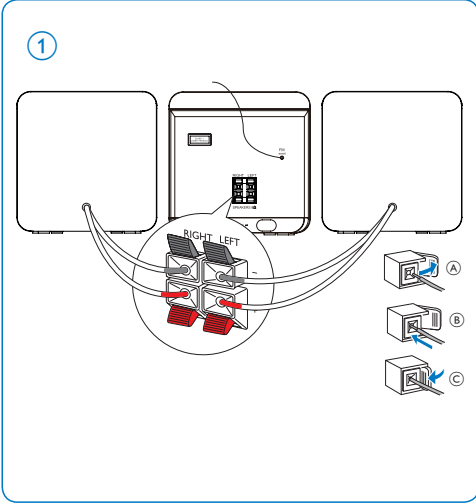


User Manual

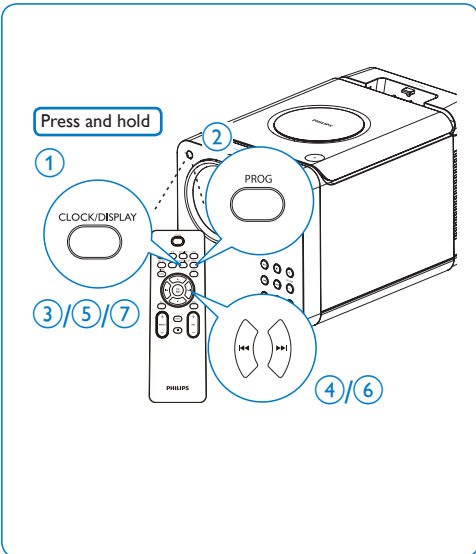


Quick Start Guide

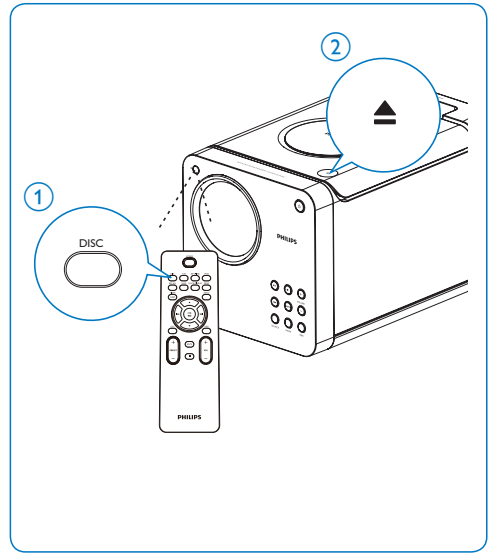
A Connect



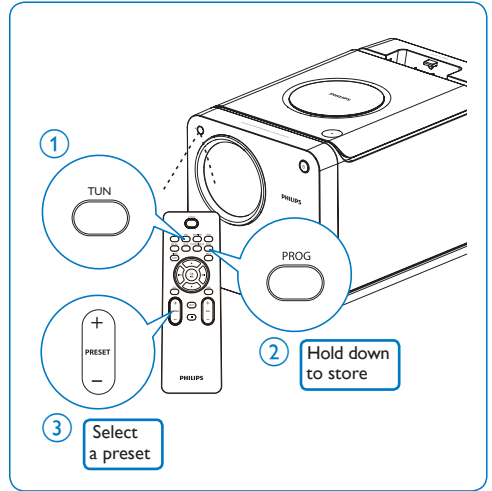
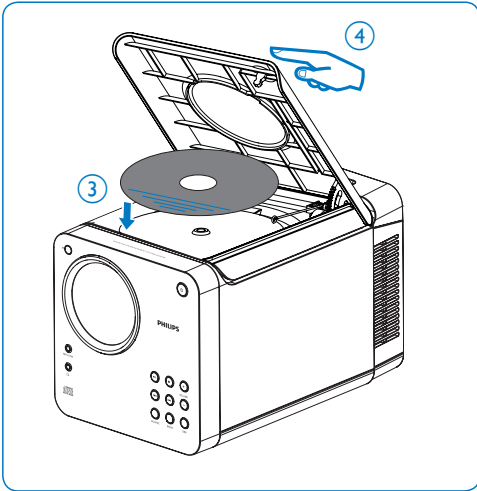
B Set clock



C Play discs



D Listen to radio



E Play iPod

