

Always there to help you

Register your product and get support at www.philips.com/support



Quick start guide

PHILIPS



Specifications are subject to change without notice. This product has been manufactured by, and is sold under the responsibility of Gibson Innovations Ltd., and Gibson Innovations Ltd. is the warrantor in relation to this product. Philips and the Philips Shield Emblem are registered trademarks of Koninklijke Philips N.V. and are used under license.

AJ3200_05_QSG_V5.0

AJ3200

1. Important

Warning

- Never remove the casing of this clock radio.
- Never lubricate any part of this clock radio.
- Never place this clock radio on other electrical equipment.
- Keep this clock radio away from direct sunlight, naked flames or heat.
- Make sure that you always have easy access to the power cord, plug or adaptor to disconnect the clock radio from the power.

- Make sure that there is enough free space around the product for ventilation.
- Battery usage CAUTION – To prevent battery leakage which may result in bodily injury, property damage, or damage to the clock radio:
 - Install the battery correctly, + and - as marked on the clock radio.
 - Do not mix batteries (old and new or carbon and alkaline, etc.).
 - Remove the battery when the clock radio is not used for a long time.
 - The battery shall not be exposed to excessive heat such as sunshine, fire or the like.
- Use only power supplies listed in the user manual.
- The clock radio shall not be exposed to dripping or splashing.
- Do not place any sources of danger on the clock radio (e.g. liquid filled objects, lighted candles).
- Where the plug of the Direct Plug-in Adapter is used as the disconnect device, the disconnect device shall remain readily operable.

2. Notice

Any changes or modifications made to this device that are not expressly approved by Gibson Innovations may void the user's authority to operate the equipment. Hereby, Gibson Innovations declares that this product is in compliance with the essential requirements and other relevant provisions of Directive 2014/53/EU. You can find the Declaration of Conformity on www.philips.com/support.



Your product is designed and manufactured with high quality materials and components, which can be recycled and reused.



This symbol on a product means that the product is covered by European Directive 2012/19/EU. Inform yourself about the local separate collection system for electrical and electronic products. Follow local rules and never dispose of the product with normal household waste. Correct disposal of old products helps prevent negative consequences for the environment and human health.

Environmental information

All unnecessary packaging has been omitted. We have tried to make the packaging easy to separate into three materials: cardboard (box), polystyrene foam (buffer) and polyethylene (bags, protective foam sheet).

Your system consists of materials which can be recycled and reused if disassembled by a specialized company. Please observe the local regulations regarding the disposal of packaging materials, exhausted batteries and old equipment.

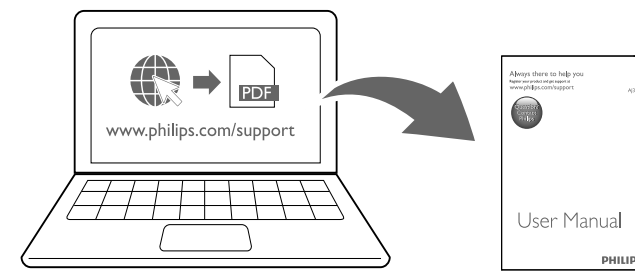
Note

- The type plate is located on the bottom of the apparatus.

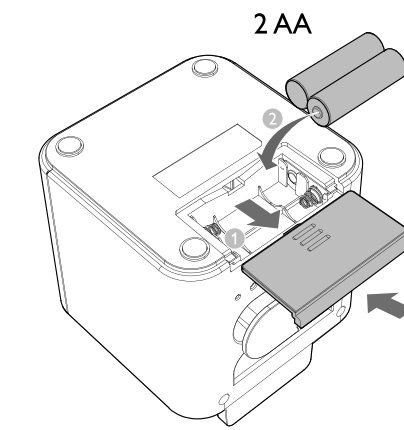
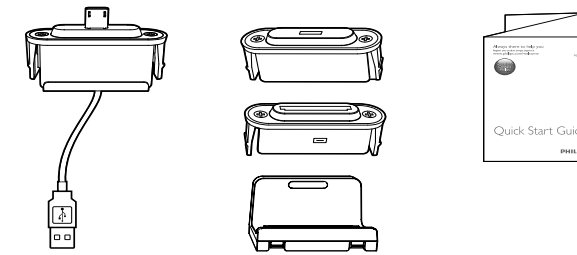
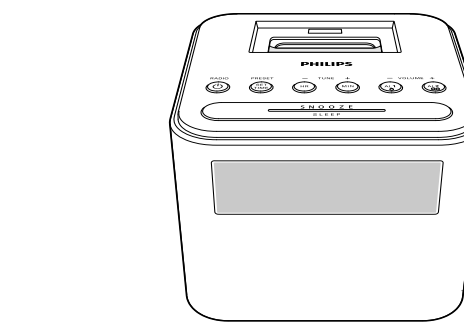
Class II equipment symbol:



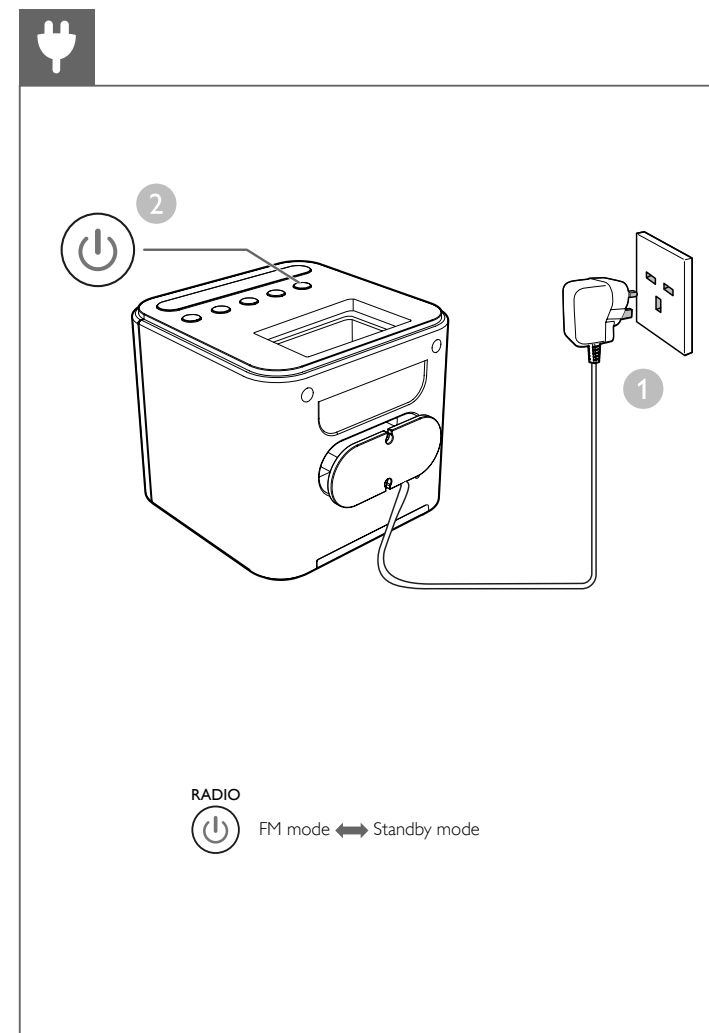
CLASS II apparatus with double insulation, and no protective earth provided.



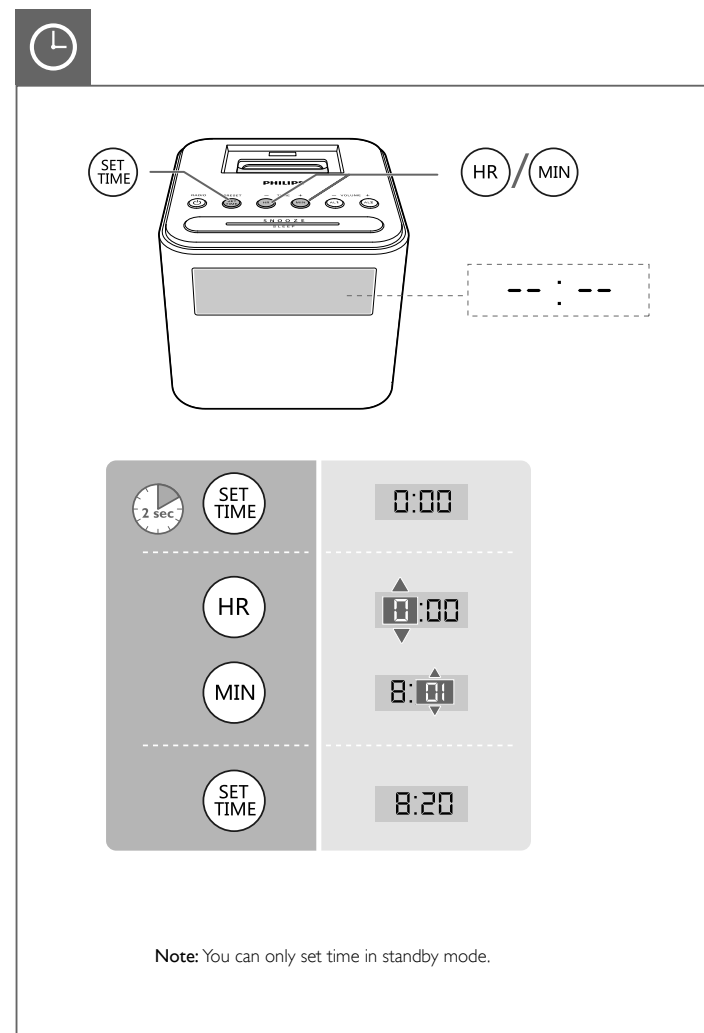
To download the full user manual, visit www.philips.com/support.



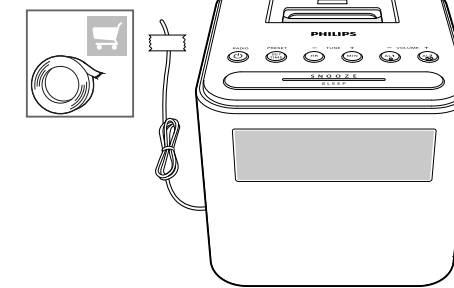
The batteries (not supplied) can only back up clock and alarm settings when AC power is disconnected.



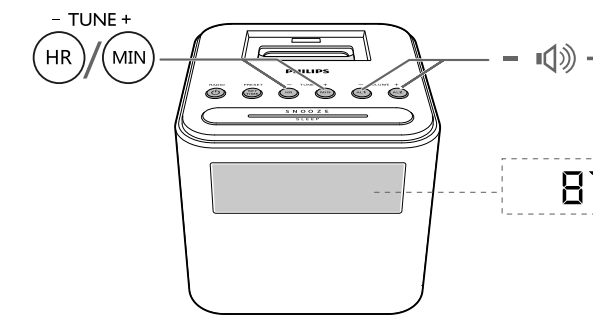
RADIO
 FM mode ↔ Standby mode



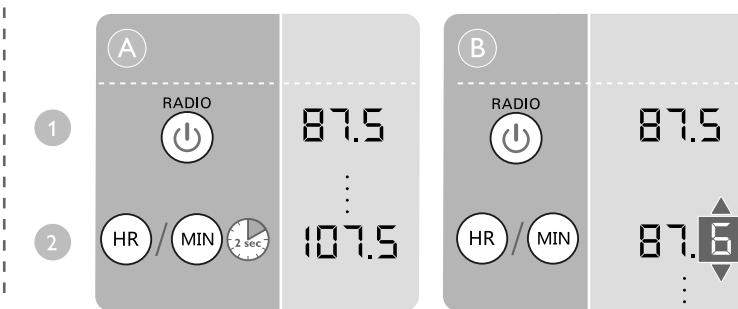
Note: You can only set time in standby mode.



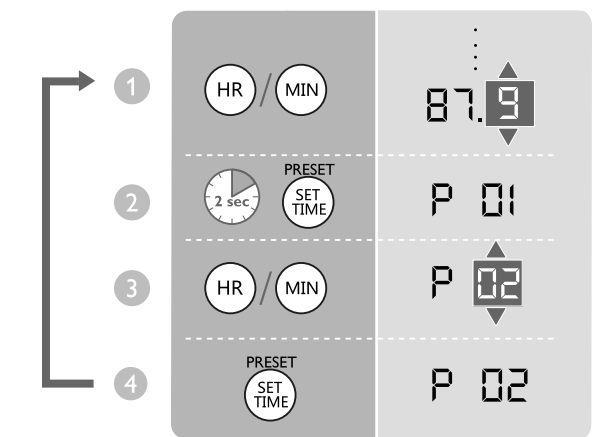
- 1 Fully extend and adjust the position of the pig-tail antenna until you find the best reception.
- 2 Fix the antenna as illustrated.



Tune to FM radio stations



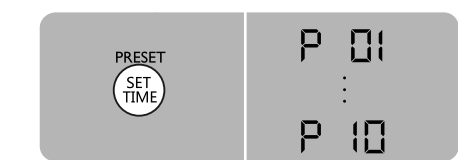
Store FM radio stations

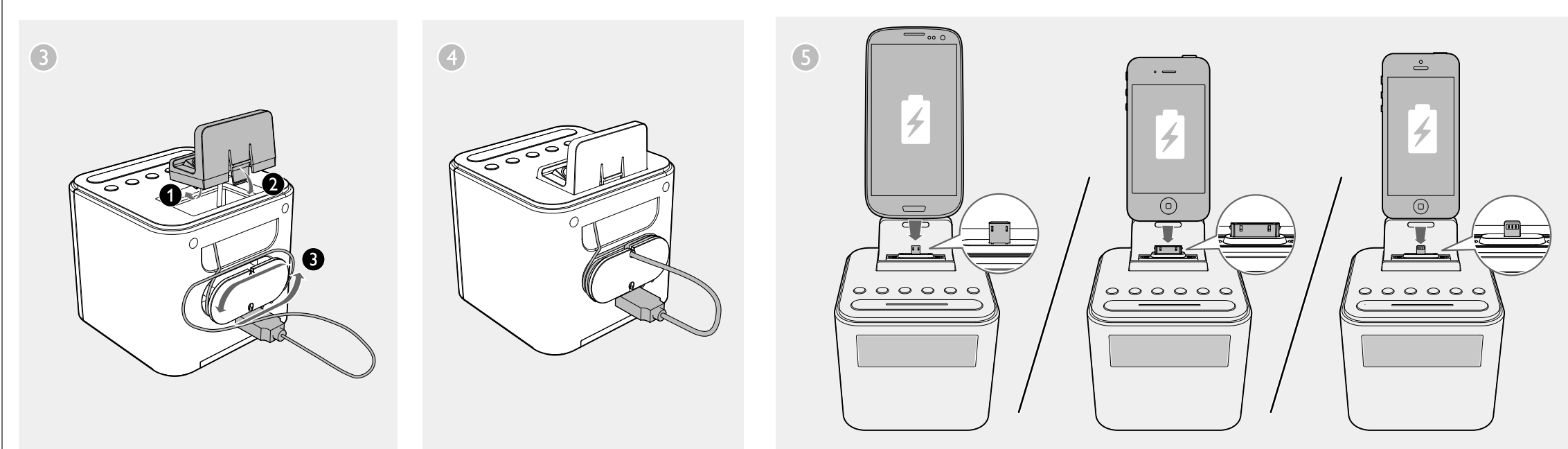
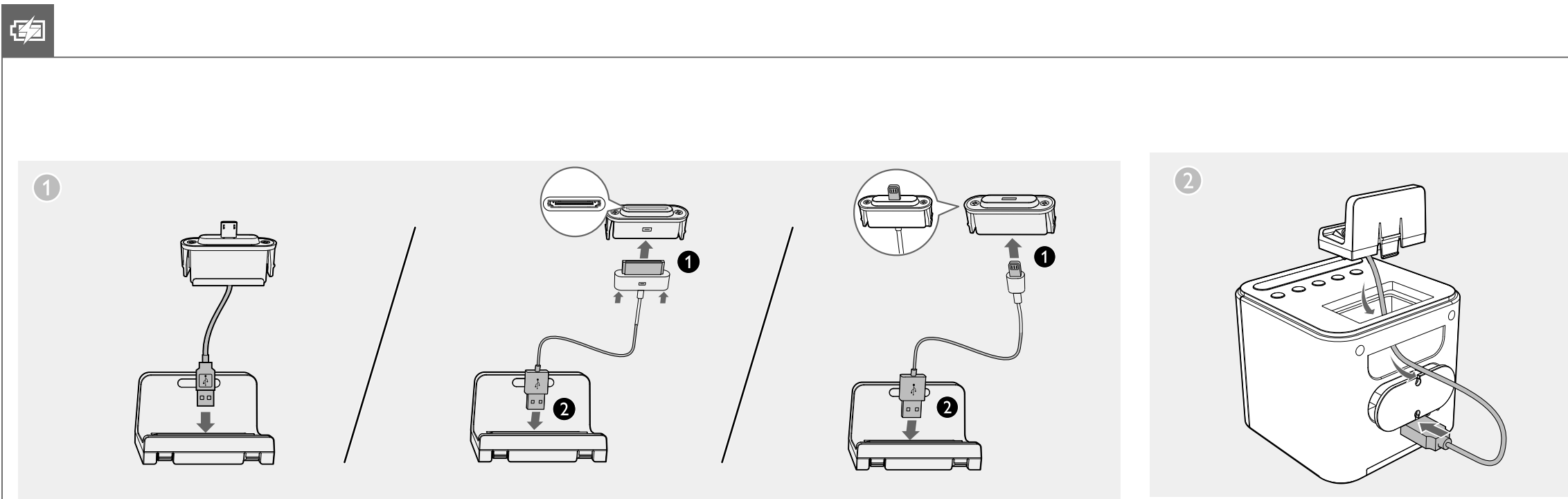


Note:

- You can store a maximum of 10 preset radio stations.
- To overwrite a pre-stored radio station, store another one with its sequence number.

Select a preset radio station





Charge your mobile devices

- 1 Connect the clock radio with your mobile device.
 - For Android-powered mobile device with a micro USB socket: use the supplied cable to connect the product with the mobile device;
 - For Apple device with a lightning or 30-pin connector: use the charging cable of the Apple device (not supplied) to connect the product with the mobile device.
- 2 Connect the clock radio to AC power.
 - ↳ The mobile device begins to charge.

When the alarm sounds, press **SNOOZE**.
↳ The alarm snoozes and repeats ringing nine minutes later.

Press **AL1** or **AL2** repeatedly to select an alarm source (FM radio or buzzer) or deactivate the alarm timer.

Press **SLEEP** repeatedly to select a period (in minutes). After the set period, the product switches to standby mode automatically.

- To deactivate the sleep timer, press **SLEEP** repeatedly until **[OFF]** is displayed.

Specifications

Amplifier	
Total Output Power	500 mW
Tuner (FM)	
Tuning Range	87.5-108 MHz
Tuning Grid	50 KHz
Sensitivity	
- Mono, 26 dB S/N Ratio	<22 dBf
Total Harmonic Distortion	<3%
Signal to Noise Ratio	>50 dBA
General information	
AC Power (power adapter)	Brand name: Philips; Model: S012B051500B; Input: 100-240V~ 50/60Hz max. 400mA Output: 5.5 V == 1500mA
USB Charging Voltage	DC 5V
USB Charging Current	≤ 1000 mA
Operation Power Consumption	9 W
Standby Power Consumption	<1 W
Dimensions:	
- Main Unit (W x H x D)	112 x 101 x 125 mm
Weight:	
- Main Unit	0.4 kg

