

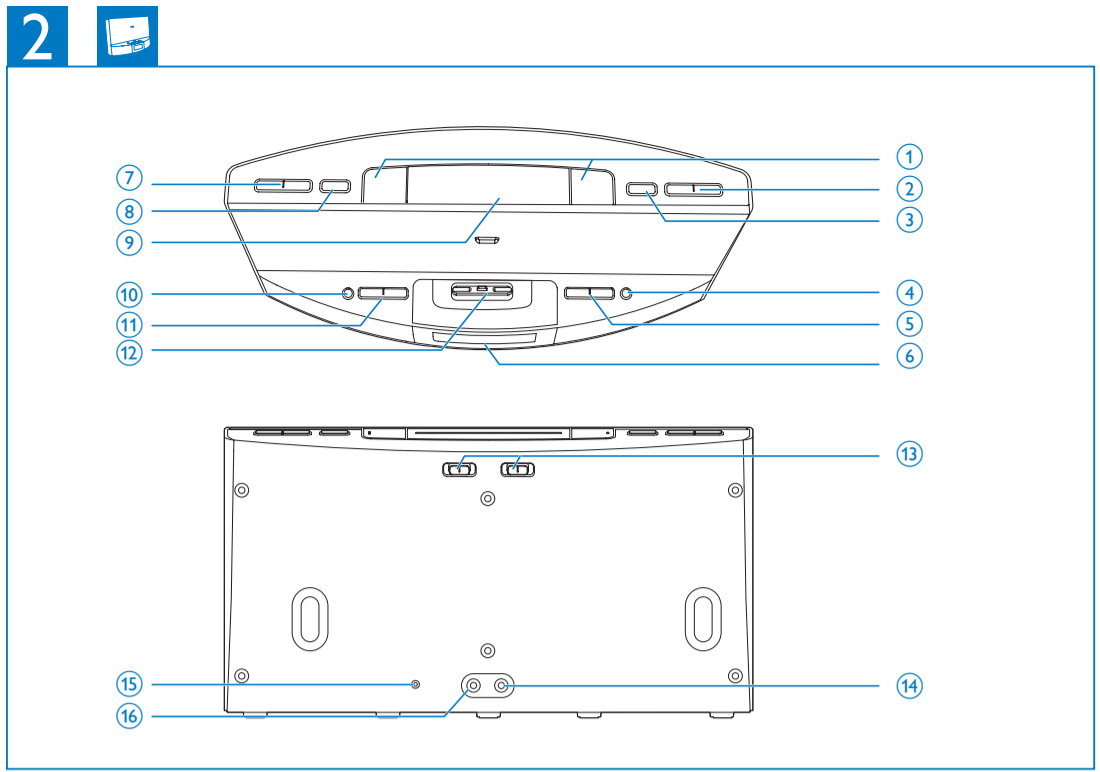
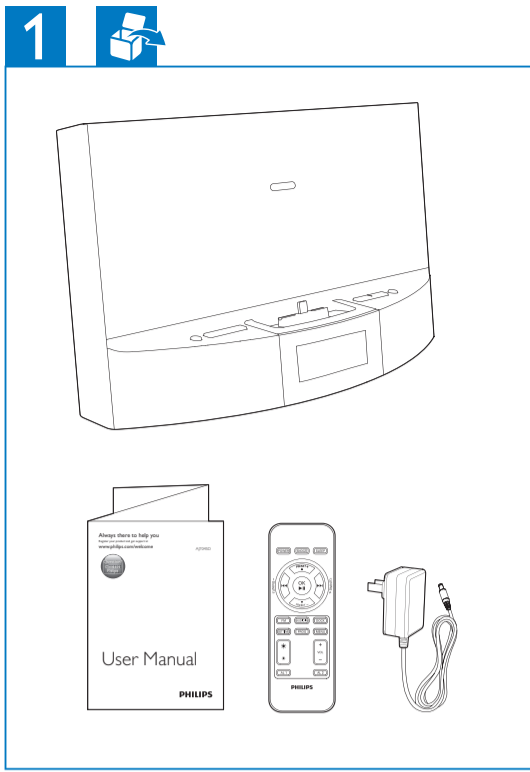


AJ7045D



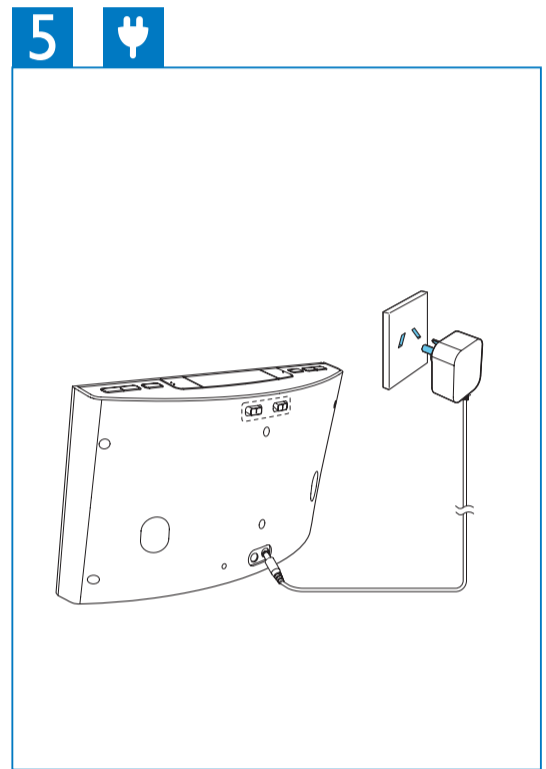
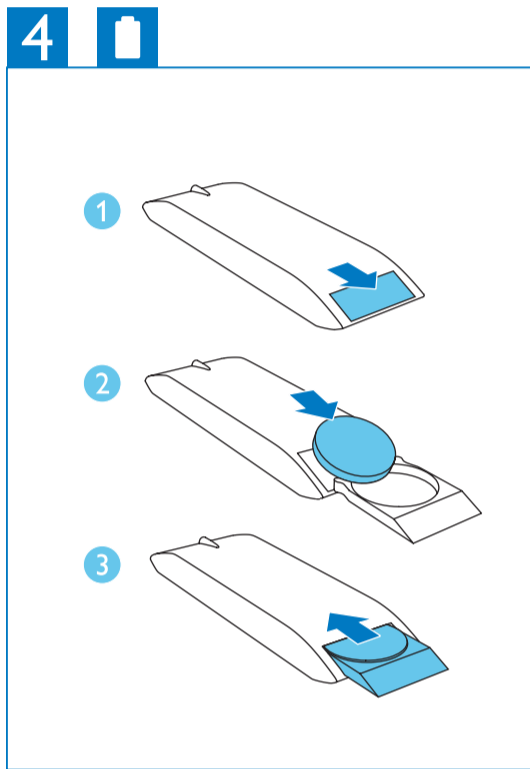
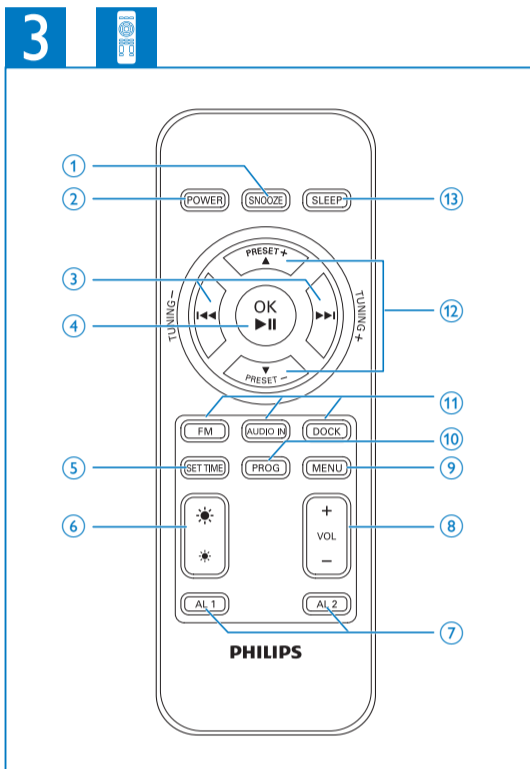
User manual

PHILIPS



All registered and unregistered trademarks are property of their respective owners.  
© 2013 Koninklijke Philips Electronics N.V.  
All rights reserved.

AJ7045D\_79\_UM\_V1.0



EN

1 Important

- Make sure that there is enough free space around the product for ventilation.
- Only use attachments/accessories specified by the manufacturer.
- Use only power supplies listed in the user manual.
- The clock radio shall not be exposed to dripping or splashing.
- Do not place any sources of danger on the clock radio (e.g. liquid filled objects, lighted candles).
- Where the plug of the Direct Plug-in Adapter is used as the disconnect device, the disconnect device shall remain readily operable.

Warning

- Never remove the casing of this clock radio.
- Never lubricate any part of this clock radio.
- Never place this clock radio on other electrical equipment.
- Keep this clock radio away from direct sunlight, naked flames or heat.
- Make sure that you always have easy access to the power cord, plug or adaptor to disconnect the clock radio from the power.

Risk of swallowing batteries

- The product or remote control may contain a button cell battery, which is possible to be swallowed. Keep the battery out of reach of children at all times! If swallowed, the battery can cause serious injury or death. Severe internal burns can occur within two hours of ingestion.
- If you suspect that a battery has been swallowed or placed inside any part of the body, seek immediate medical attention.
- When you change the batteries, always keep all new and used batteries out of reach of children. Ensure that the battery compartment is completely secure after you replace the battery.
- If the battery compartment cannot be completely secured, discontinue use of the product. Keep out of reach of children and contact the manufacturer.

2 Your clock radio

Congratulations on your purchase, and welcome to Philips! To fully benefit from the support that Philips offers, register your product at www.philips.com/welcome.

What's in the box (Fig. 1)

Overview of the main unit (Fig. 2)

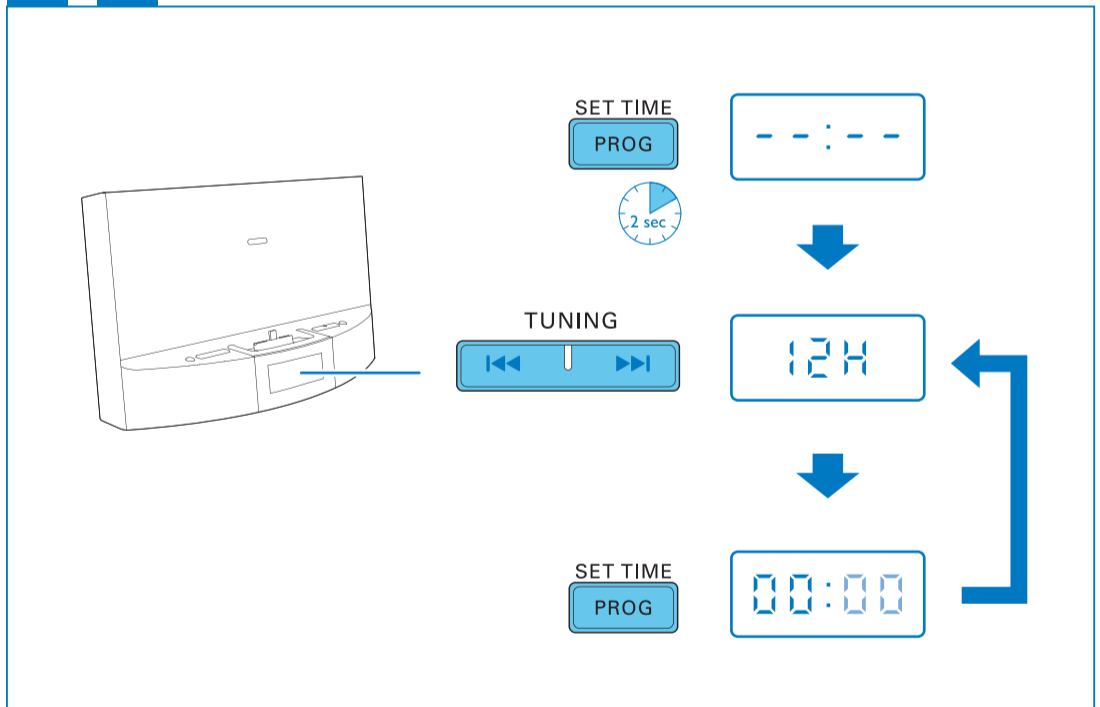
- AL1/AL2**
  - Set alarm.
  - View alarm settings.
  - Activate or deactivate alarm timer.
- TUNING**
  - Tune to an FM radio station.
  - Adjust hour, minute and hour format.
  - Skip to the previous or next track.
  - Search within a track.
- OK**
  - Start or pause play.

- SLEEP**
  - Set sleep timer.
- VOLUME +/-**
  - Adjust volume.
- Display panel**
  - Show current information.
- PRESET**
  - Select a preset radio station.
  - Scroll through the iPod/iPhone menu.
- SET TIME/PROG**
  - Set clock.
  - Scan/store FM radio stations.
- SNOOZE/BRIGHTNESS**
  - Snooze alarm.
  - Adjust display brightness.
- Power**
  - Turn on the clock radio.
  - Switch to standby mode.
- SOURCE**
  - Select a source.
- Dock for iPod/iPhone**
- AL1/AL2 RADIO BUZZ DOCK**
  - Select an alarm source for Alarm 1 or Alarm 2.
- DC IN**
  - Connect power.
- FM ANT**
  - Improve FM reception.
- AUDIO IN**
  - Connect an external audio device.

Overview of the remote control (Fig. 3)

- SNOOZE**
  - Snooze the alarm.
- POWER**
  - Turn on the clock radio.
  - Switch to standby mode.
- TUNING +/-**
  - Tune to an FM radio station.
  - Adjust hour, minute and hour format.
  - Skip to the previous or next track.
  - Search within a track.
- OK**
  - Start or pause play.
  - Confirm a selection.
- SET TIME**
  - Set time.
- Brightness**
  - Adjust display brightness.
- AL1/AL2**
  - Set alarm.
  - View alarm settings.
  - Activate or deactivate alarm timer.
- VOL +/-**
  - Adjust volume.
- MENU**
  - Access iPod/iPhone menu.
- PROG**

6



- Scan/store radio stations.
- Source selection buttons: FM, AUDIO IN, DOCK**
  - Select a source.
- PRESET +/-**
  - Select a preset radio station.
  - Scroll through the iPod/iPhone menu.
- SLEEP**
  - Set sleep timer.

3 Get started

Always follow the instructions in this chapter in sequence.

Install remote control battery

- Caution**
  - Risk of explosion! Keep the battery away from heat, sunshine or fire. Never discard the battery in fire.
  - Danger of explosion if battery is incorrectly replaced. Replace only with the same or equivalent type.
  - The battery contains chemical substances, so it should be disposed of properly.
  - Perchlorate Material - special handling may apply. See www.dtsc.ca.gov/hazardouswaste/perchlorate.

**Note**

- You can only use AC power as power supply. The pre-installed lithium CR2032 battery can only back up time and alarm settings.

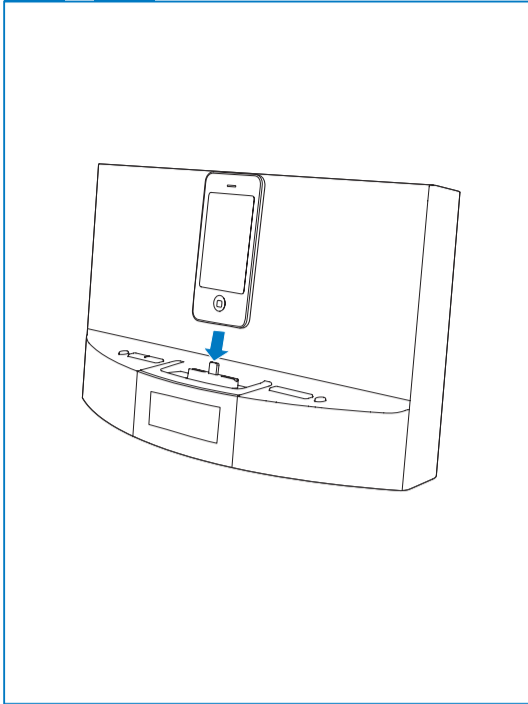
**For first-time use:**  
Remove the protective tab to activate the battery.  
**To replace the battery (Fig. 4)**

Connect power (Fig. 5)

- Caution**
  - Risk of product damage! Make sure that the power voltage corresponds to the voltage printed on the back or underside of the clock radio.
  - Risk of electric shock! When you unplug the AC adapter, always pull the plug from the socket. Never pull the cord.

Set clock (Fig. 6)

- In standby mode, press and hold **SET TIME** for two seconds to activate clock setting mode.  
→ [12H] (12 hour) or [24H] (24 hour) blinks.
- Press **TUNING** to adjust the hour format.  
→ The hour digits blink.
- Press **SET TIME** to confirm.  
→ The hour digits blink.
- Repeat steps 2-3 to set the hour and minute.  
→ The set time is displayed.



## Note

- When an iPod/iPhone is connected, the clock radio synchronizes time from the iPod/iPhone automatically.

## Turn on

- Press **⏻**.
- The clock radio switches to the last selected source.
  - To switch the clock radio to standby mode, press **⏻** again.

## 4 Play from iPod/iPhone

You can enjoy audio from iPod/iPhone through this clock radio.

### Compatible iPod/iPhone

The clock radio supports these iPod and iPhone models:

- Made for:
- iPod touch (5th generation)
  - iPod nano (7th generation)
  - iPhone 5

### Listen to audio from iPod/iPhone

- Place the iPod/iPhone in the dock. (Fig. 7)
- Press **SOURCE** repeatedly or **DOCK** on the remote control to select iPod/iPhone mode.
- Play audio on the iPod/iPhone.
  - To pause or resume play, press **⏸**
  - To skip to a track, press **⏮** / **⏭**
  - To search during play, press and hold **⏮** / **⏭**, then release to resume normal play.
  - To navigate the menu: press **MENU**, then press **▲** / **▼** to select, and press **OK** to confirm.

#### To remove the iPod/iPhone:

Pull the iPod/iPhone out of the dock.

## Charge the iPod/iPhone

When the clock radio is connected to power, the docked iPod/iPhone starts charging.

## Adjust volume

You can adjust volume by pressing **VOL +/-** repeatedly.

## 5 Listen to FM radio

### Tune to FM radio stations

#### Tip

- Position the antenna as far as possible from TV/VCR, or other radiation source.
- For better reception, fully extend and adjust the position of the antenna.

- Press **SOURCE** repeatedly or **FM** on the remote control to select FM tuner source.
- Press and hold **TUNING +/-** for two seconds.
  - The clock radio tunes to a station with strong reception automatically.
- Repeat step 2 to tune to more radio stations.

#### To tune to a station manually:

Press **TUNING +/-** repeatedly until you find optimal reception.

### Store FM radio stations automatically

#### Note

- You can store a maximum of 20 FM radio stations.

In tuner mode, press an hold **PROG** for two seconds.
 

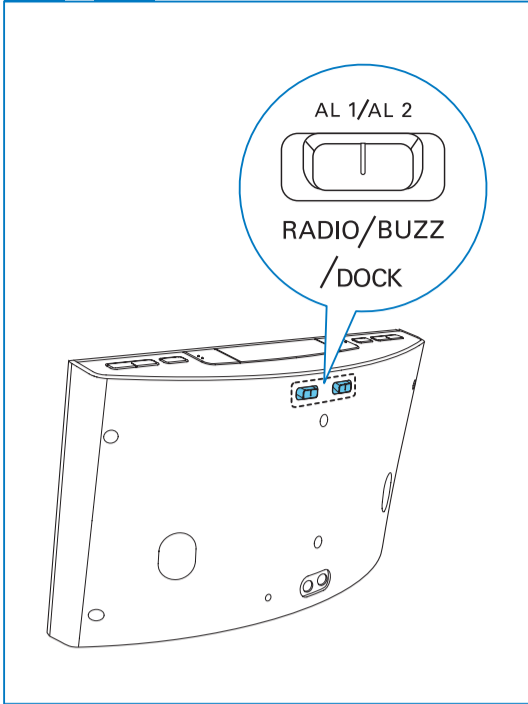
- The clock radio stores all the available FM radio stations, and broadcasts the first available station automatically.

### Store FM radio stations manually

- Tune to an FM radio station.
- Press **PROG**.
  - The preset number begins to blink.
- Press **PRESET +/-** repeatedly to select a number.
- Press **PROG** again to confirm.
- Repeat steps 1-4 to store other stations.

#### Note

- To remove a pre-stored station, store another station in its place.



### Select a preset radio station

In tuner mode, press **PRESET +/-** repeatedly to select a preset radio station.

## 6 Other features

### Set alarm timer

In standby mode, you can set two alarms to ring at different time.

#### Note

- Make sure that you have set the clock correctly.

- Press and hold **AL1/AL2** for two seconds to activate alarm setting mode.
  - The hour digits blink.
- Press **⏮** / **⏭** repeatedly to adjust the hour.
- Press **AL1/AL2** to confirm.
- Repeat steps 2-3 to set the minute and alarm volume.
  - The corresponding alarm icon is displayed.

### Select alarm source (Fig. 8)

For alarm sound, you can select buzzer; your last listened radio channel, or the latest played audio on your iPod/iPhone.

#### Tip

- If **DOCK** is selected as the alarm source, yet the audio cannot be played, buzzer will sound when alarm time comes.

### Activate/deactivate alarm timer

- Press **AL1/AL2** to view alarm settings.
- Press **AL1/AL2** again to activate or deactivate the alarm timer.
  - The alarm icon appears if alarm timer is on and disappears if it is off.
  - To stop the ringing alarm, press the corresponding **AL1/AL2**.
    - The alarm repeats ringing for the next day.

### Snooze the alarm

When alarm sounds, press **SNOOZE**.
 

- The alarm snoozes and repeats ringing nine minutes later.

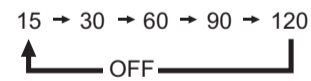
### Set sleep timer

This clock radio can switch to standby mode automatically after a preset period.

- Press **SLEEP** repeatedly to select the sleep timer period (in minutes).
  - When the sleep timer is activated, **zZ** appears.

#### To deactivate the sleep timer:

- Press **SLEEP** repeatedly until **[OFF]** (off) appears.



### Play audio from an external device

You can listen to audio from an external device through this clock radio.

- Connect an audio cable to (Fig. 9):
  - the **AUDIO IN** socket on the clock radio.
  - the headphone socket on an external device.
- Press **SOURCE** repeatedly or **AUDIO IN** on the remote control to select the Audio-in source.
- Play the external device (refer to its user manual).

### Adjust display brightness (Fig. 10)

## 7 Product information

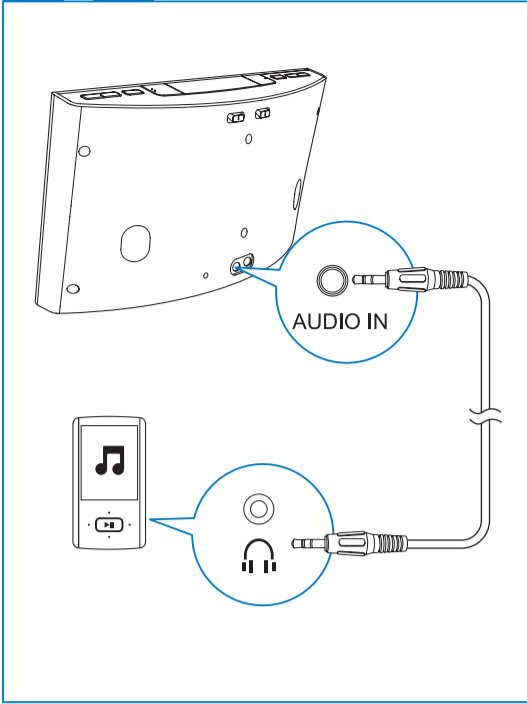
#### Note

- Product information is subject to change without prior notice.

## Specifications

### Amplifier

Rated Output Power 20W RMS



## Tuner

Tuning Range	FM: 87.5 - 108 MHz
Sensitivity	FM: <22 dBf
- Mono, 26dB S/N Ratio	
Search Selectivity	FM: <30 dBf
Total Harmonic Distortion	FM: <3%
Signal to Noise Ratio	FM: >50 dBA

## General information

AC Power	Model: AS190-100-AM180; Input: 100-240V ~, 50/60Hz, 0.7A; Output: 10V === 1.8 A
Operation Power Consumption	<15 W
Standby Power Consumption	<1 W
Max. load for iPod/iPhone	5V === 1 A
Dimensions - Main Unit (W x H x D)	290 x 159 x 113 mm
Weight - Main Unit	1.56 kg

## 8 Troubleshooting

#### Warning

- Never remove the casing of this device.

To keep the warranty valid, never try to repair the system yourself. If you encounter problems when using this device, check the following points before requesting service. If the problem remains unsolved, go to the Philips Web page ([www.philips.com/support](http://www.philips.com/support)). When you contact Philips, make sure that the device is nearby and the model number and serial number are available.

#### No power

- Ensure that the AC power plug of the clock radio is connected properly.
- Ensure that there is power at the AC outlet.

#### No response from the clock radio

- Disconnect and reconnect the AC power plug, then turn on the clock radio again.

#### Poor radio reception

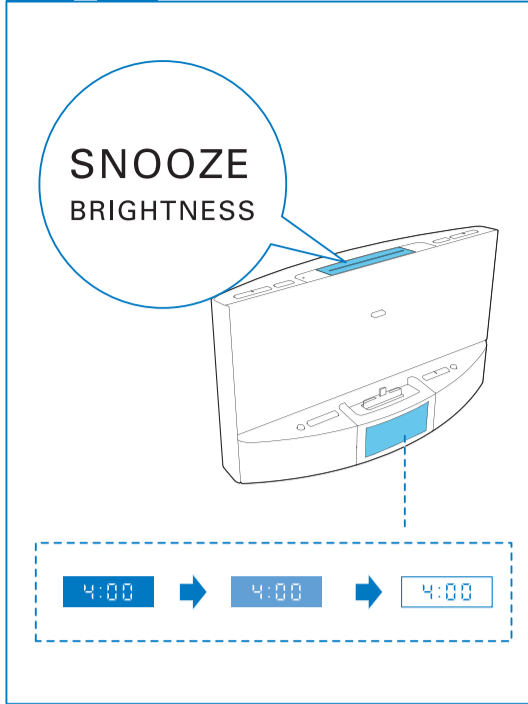
- Keep the clock radio away from other electronic devices to avoid radio interference.
- Fully extend and adjust the position of the FM antenna.

#### Alarm does not work

- Set the clock/alarm correctly.

#### Clock/alarm setting erased

- Power has been interrupted or the power plug has been disconnected.
- Reset the clock/alarm.



## 9 Notice

Any changes or modifications made to this device that are not expressly approved by Philips Consumer Lifestyle may void the user's authority to operate the equipment.

### Disposal of your old product and batteries

Your product is designed and manufactured with high quality materials and components, which can be recycled and reused.

Never dispose of your product with other household waste. Please inform yourself about the local rules on the separate collection of electrical and electronic products and batteries. The correct disposal of these products helps prevent potentially negative consequences on the environment and human health.

Your product contains batteries, which cannot be disposed of with normal household waste.

Please inform yourself about the local rules on separate collection of batteries. The correct disposal of batteries helps prevent potentially negative consequences on the environment and human health. Please visit [www.recycle.philips.com](http://www.recycle.philips.com) for additional information on a recycling center in your area.

#### Environmental information

All unnecessary packaging has been omitted. We have tried to make the packaging easy to separate into three materials: cardboard (box), polystyrene foam (buffer) and polyethylene (bags, protective foam sheet.)

Your system consists of materials which can be recycled and reused if disassembled by a specialized company. Please observe the local regulations regarding the disposal of packaging materials, exhausted batteries and old equipment.



"Made for iPod" and "Made for iPhone" mean that an electronic accessory has been designed to connect specifically to iPod or iPhone respectively, and has been certified by the developer to meet Apple performance standards. Apple is not responsible for the operation of this device or its compliance with safety and regulatory standards. Please note that the use of this accessory with iPod or iPhone may affect wireless performance.

iPod and iPhone are trademarks of Apple Inc., registered in the U.S. and other countries.



This is CLASS II apparatus with double insulation, and no protective earth provided.

#### Note

- The type plate is located on the bottom of the apparatus.

## PHILIPS

sense and simplicity

Philips Electronics Australia Limited and Philips New Zealand Limited

Warranty against Defects

In this warranty:

We or us means Philips Electronics Australia Limited/ACN 008 445 743 or Philips New Zealand Limited (Company Number 11723), and our contact details are set out at the end of this warranty;

You means the purchaser or the original end-user of the Goods;

Supplier means the authorised distributor or retailer of the Goods that sold you the Goods in Australia or New Zealand; and

Goods means the product or equipment which was accompanied by this warranty and purchased in Australia or New Zealand.

If you require assistance with the operation of the product, its features or specifications please call the Philips Consumer Care Centre on 1300 363 391 in Australia or 0800 658 224 in New Zealand.

**Australia:** Our Goods come with guarantees that cannot be excluded under the Australian Consumer Law. You are entitled to a replacement or refund for a major failure and for compensation for any other reasonably foreseeable loss or damage. You are also entitled to the full contract price if the Goods do not comply with the basic warranty terms and the failure does amount to major failure. This does not apply to the goods if they are repaired or replaced under the basic warranty.

**New Zealand:** Our Goods come with guarantees that cannot be excluded under the Consumer Guarantees Act 1993. This guarantee applies in addition to the conditions and guarantees implied by that legislation.

**Additional Warranty:**

In addition to the rights and remedies that you have under the Australian Consumer Law, Consumer Guarantees Act of New Zealand or any other applicable law, we provide the following warranty against defects:

1. If, during the first 12 months from their date of purchase from the Supplier, (Warranty Period), the Goods prove defective by reason of improper workmanship or materials and none of your statutory rights or remedies apply, we will repair or replace the Goods without charge.

2. We do not have to repair or replace the Goods under this Additional Warranty if the Goods have been used for a commercial purpose, used, copied, or otherwise misused, operated or repaired, abused, damaged, or not maintained in accordance with the manufacturer's instructions.

3. Even when we do not have to repair or replace the Goods, we may decide to do so anyway. In some cases, we may decide to substitute the Goods with a similar alternative product of our choosing. All such decisions are at our absolute discretion.

4. All such repaired, replaced or substituted Goods continue to receive the benefit of the Additional Warranty for the time remaining on the original Warranty Period.

5. This Additional Warranty is limited to repair, replacement or substitution only. As far as the law permits, we will not be liable for any loss or damage caused to property or persons arising from any cause whatsoever.

6. In order to claim under this Additional Warranty you must telephone us on 1300 363 391 in Australia or 0800 658 224 in New Zealand within the Warranty Period. You will be asked for details of the Goods, a description of the defect and your personal details. Upon accepting your claim, we shall assist you with either returning the Goods to the Supplier for replacement or to the most convenient Philips Authorised Service Centre for your Goods to be repaired. In some cases we may require that you return the Goods to us (at the address below) for repair, replacement or substitution.

\* All returned Goods must be accompanied by satisfactory proof of purchase which clearly indicates the name and address of the Supplier, the date and place of purchase and identifies product. It is best to provide a legible and unmodified receipt or sales invoice.

\* You must bear any expense for return of the Goods or otherwise associated with making your claim under this Additional Warranty.

7. This warranty is only valid and enforceable in Australia and New Zealand.

Contact us or the place of purchase for further details.

Philips Electronics Australia Limited

Level 2, 1 Nugent St,

North Hyde, SYDNEY NSW 2113

Consumer Care: 1300 363 391

E-mail: [electro.australia@philips.com](mailto:electro.australia@philips.com)

Website: [www.philips.com/support](http://www.philips.com/support)

Philips New Zealand Limited

Level 2, 1 Nugent St,

Graton, AUCKLAND, 1023

Consumer Care: 0800 658 224

E-mail: [electro.austalia@philips.com](mailto:electro.austalia@philips.com)

Website: [www.philips.com/support](http://www.philips.com/support)

Contact us or the place of purchase for further details.

Philips Electronics Australia Limited

Level 2, 1 Nugent St,

North Hyde, SYDNEY NSW 2113

Consumer Care: 1300 363 391

E-mail: [electro.australia@philips.com](mailto:electro.australia@philips.com)

Website: [www.philips.com/support](http://www.philips.com/support)