

Register your product and get support at
www.philips.com/welcome

DCB352



EN	User manual	3
DA	Brugervejledning	25
DE	Benutzerhandbuch	47

FR	Mode d'emploi	71
IT	Manuale utente	97
NO	Brukerhåndbok	121

PHILIPS

Contents

1 Important	4	8 Other features	21
Safety	4	Set the sleep timer	21
Notice	6	Set the alarm timer	21
		Play from an external device	21
2 Your Docking Entertainment System	7	9 Product information	22
Introduction	7	Specifications	22
What's in the box	7	Maintenance	23
Overview of the main unit	8	USB playability information	23
Overview of the remote control	9	Supported MP3 disc formats	23
		RDS program types	24
3 Get started	11	10 Troubleshooting	24
Connect power	11		
Prepare the remote control	12		
Set clock	12		
Turn on	12		
4 Play	13		
Play disc	13		
Play from USB	13		
Skip to a track	13		
Pause/resume play	13		
Search within a track	13		
Display play information	14		
Select repeat/shuffle play options	14		
Program tracks	14		
5 Adjust sound	15		
Adjust volume	15		
Select a preset sound effect	15		
Enhance bass	15		
Mute sound	15		
6 Play iPod/iPhone/iPad	15		
Compatible iPod/iPhone/iPad	15		
Load the iPod/iPhone/iPad	16		
Listen to the iPod/iPhone/iPad	16		
Charge the iPod/iPhone/iPad	16		
Remove the iPod/iPhone/iPad	16		
7 Listen to radio	17		
Listen to Digital Audio Broadcasts (DAB)	17		
Listen to FM radio	19		
Reset to factory setting	20		

1 Important

Safety



This 'bolt of lightning' indicates uninsulated material within your unit may cause an electrical shock. For the safety of everyone in your household, please do not remove product covering.

The 'exclamation point' calls attention to features for which you should read the enclosed literature closely to prevent operating and maintenance problems. **WARNING:** To reduce the risk of fire or electric shock, this apparatus should not be exposed to rain or moisture and objects filled with liquids, such as vases, should not be placed on this apparatus.

CAUTION: To prevent electric shock, match wide blade of plug to wide slot, fully insert.

Important Safety Instructions

- ① Read these instructions.
- ② Keep these instructions.
- ③ Heed all warnings.
- ④ Follow all instructions.
- ⑤ Do not use this apparatus near water.
- ⑥ Clean only with dry cloth.
- ⑦ Do not block any ventilation openings. Install in accordance with the manufacturer's instructions.
- ⑧ Do not install near any heat sources such as radiators, heat registers, stoves, or other apparatus (including amplifiers) that produce heat.
- ⑨ Protect the power cord from being walked on or pinched, particularly at plugs, convenience receptacles, and the point where they exit from the apparatus.
- ⑩ Only use attachments/accessories specified by the manufacturer.
- ⑪ Use only with the cart, stand, tripod, bracket, or table specified by the manufacturer or sold with the apparatus. When a cart is used, use caution when moving the cart/apparatus combination to avoid injury from tip-over.
- ⑫ Unplug this apparatus during lightning storms or when unused for long periods of time.
- ⑬ Refer all servicing to qualified service personnel. Servicing is required when the apparatus has been damaged in any way, such as power-supply cord or plug is damaged, liquid has been spilled or objects have fallen into the apparatus, the apparatus has been exposed to rain or moisture, does not operate normally, or has been dropped.



- ⑭ **Battery usage CAUTION – To prevent battery leakage which may result in bodily injury, property damage, or damage to the unit:**
- Install all batteries correctly, + and - as marked on the unit.
 - Do not mix batteries (old and new or carbon and alkaline, etc.).
 - Remove batteries when the unit is not used for a long time.
 - Batteries (battery pack or batteries installed) shall not be exposed to excessive heat such as sunshine, fire or the like.
- ⑮ **Apparatus shall not be exposed to dripping or splashing.**
- ⑯ **Do not place any sources of danger on the apparatus (e.g. liquid filled objects, lighted candles).**
- ⑰ **Where the plug of the Direct Plug-in Adapter is used as the disconnect device, the disconnect device shall remain readily operable.**



Warning

- Never remove the casing of this apparatus.
- Never lubricate any part of this apparatus.
- Never place this apparatus on other electrical equipment.
- Keep this apparatus away from direct sunlight, naked flames or heat.
- Never look into the laser beam inside this apparatus.
- Ensure that you always have easy access to the power cord, plug or adaptor to disconnect this apparatus from the power.

Hearing safety

Listen at a moderate volume.

- Using headphones at a high volume can impair your hearing. This product can produce sounds in decibel ranges that may cause hearing loss for a normal person, even for exposure less than a minute. The higher decibel ranges are offered for those that may have already experienced some hearing loss.
- Sound can be deceiving. Over time your hearing 'comfort level' adapts to higher volumes of sound. So after prolonged listening, what sounds 'normal' can actually be loud and harmful to your hearing. To guard against this, set your volume to a safe level before your hearing adapts and leave it there.

To establish a safe volume level:

- Set your volume control at a low setting.
- Slowly increase the sound until you can hear it comfortably and clearly, without distortion.

Listen for reasonable periods of time:

- Prolonged exposure to sound, even at normally 'safe' levels, can also cause hearing loss.
- Be sure to use your equipment reasonably and take appropriate breaks.

Be sure to observe the following guidelines when using your headphones.

- Listen at reasonable volumes for reasonable periods of time.
- Be careful not to adjust the volume as your hearing adapts.
- Do not turn up the volume so high that you can't hear what's around you.
- You should use caution or temporarily discontinue use in potentially hazardous situations. Do not use headphones while operating a motorized vehicle, cycling, skateboarding, etc.; it may create a traffic hazard and is illegal in many areas.

Notice

Any changes or modifications made to this device that are not expressly approved by Philips Consumer Lifestyle may void the user's authority to operate the equipment.



This product complies with the radio interference requirements of the European Community.



Your product is designed and manufactured with high quality materials and components, which can be recycled and reused.



When this crossed-out wheeled bin symbol is attached to a product it means that the product is covered by the European Directive 2002/96/EC.

Please inform yourself about the local separate collection system for electrical and electronic products.

Please act according to your local rules and do not dispose of your old products with your normal household waste. Correct disposal of your old product helps to prevent potential negative consequences for the environment and human health.



Your product contains batteries covered by the European Directive 2006/66/EC, which cannot be disposed with normal household waste. Please inform yourself about the local rules on separate collection of batteries because correct disposal helps to prevent negative consequences for the environmental and human health.

Environmental information

All unnecessary packaging has been omitted. We have tried to make the packaging easy to separate into three materials: cardboard (box), polystyrene foam (buffer) and polyethylene (bags, protective foam sheet.)

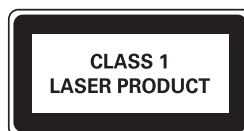
Your system consists of materials which can be recycled and reused if disassembled by a specialized company. Please observe the local regulations regarding the disposal of packaging materials, exhausted batteries and old equipment.



Be responsible
Respect copyrights

The making of unauthorized copies of copy-protected material, including computer programs, files, broadcasts and sound recordings, may be an infringement of copyrights and constitute a criminal offence. This equipment should not be used for such purposes.

This apparatus includes this label:



Note

- The type plate is located on the bottom of the apparatus.

2 Your Docking Entertainment System

Congratulations on your purchase, and welcome to Philips! To fully benefit from the support that Philips offers, register your product at www.philips.com/welcome.

Introduction

With this music system, you can enjoy audio from audio discs, USB storage devices, iPod, iPhone, iPad and other external devices, or listen to radio stations.

The music system offers you multiple sound effect settings that enrich sound with Digital Sound Control (DSC) and Dynamic Bass Boost (DBB).

The system supports the following media formats:



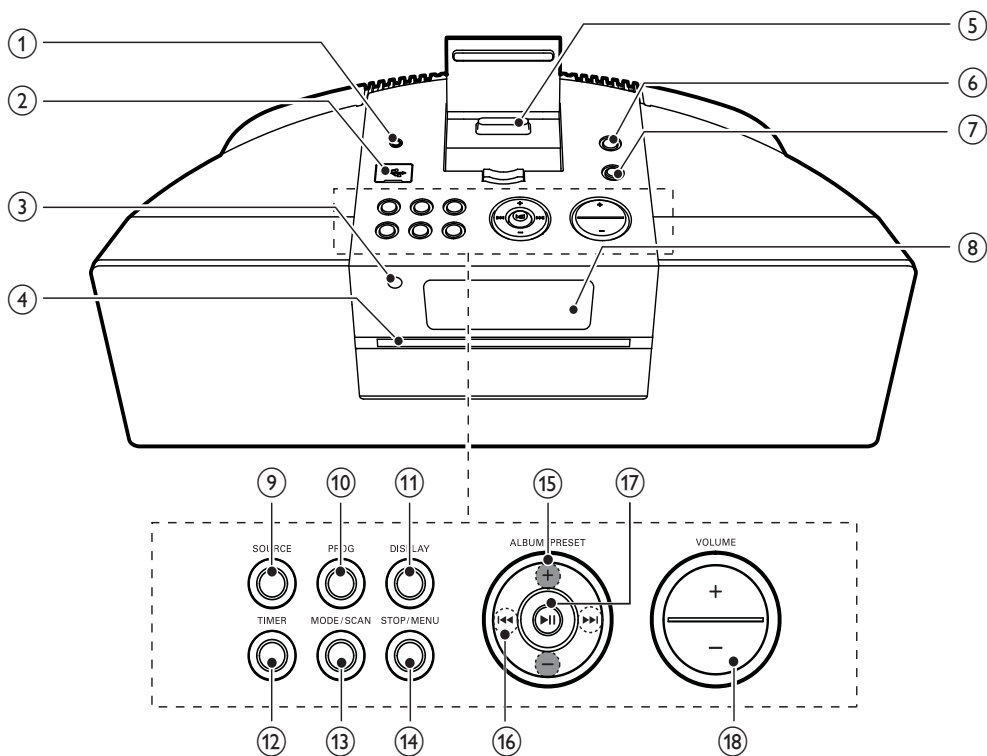
What's in the box

Check and identify the contents of your package:

- Main unit
- Remote control
- 2 AAA batteries
- AC adaptor
- MP3 LINK cable
- User manual
- Quick start guide

English

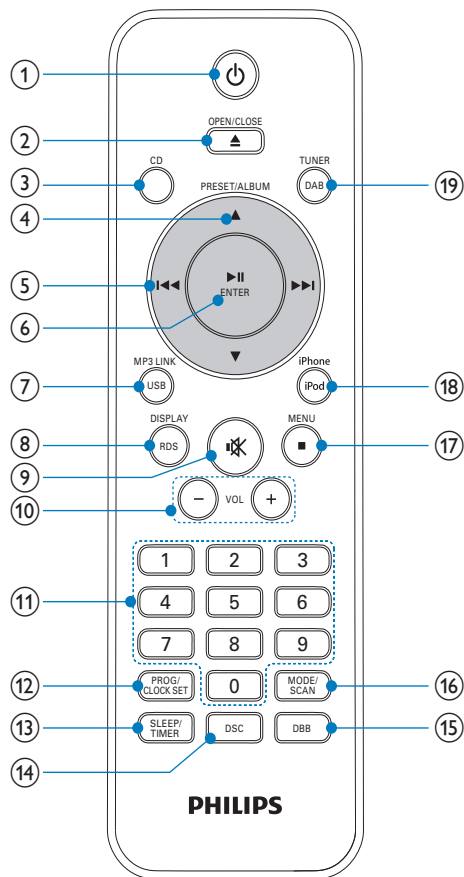
Overview of the main unit



- ① **MP3-LINK**
 - Jack for an external audio device.
- ② **USB**
 - Jack for a USB mass storage device.
- ③ **IR sensor**
 - Detect signals from the remote control. Always point the remote control at the IR sensor.
- ④ **Disc compartment**
- ⑤ **Dock for iPod/iPhone/iPad**
 - Load an iPod/iPhone/iPad.
- ⑥ **STANDBY-ON**
 - Turn on the system, switch to standby mode, or Eco Power standby mode.
- ⑦ **EJECT**
 - Eject the disc.
- ⑧ **Display panel**
 - Show current status.
- ⑨ **SOURCE**
 - Select a source: DISC, USB, DOCK, DIGITAL RADIO, FM TUNER, or MP3-Link.
- ⑩ **PROG**
 - Program tracks.
 - Program radio stations.
 - Set the clock.
- ⑪ **DISPLAY**
 - During play, select display information.

- ⑫ **TIMER**
 - Set the alarm timer.
- ⑬ **MODE/SCAN**
 - Select repeat/shuffle mode.
 - Search FM/DAB radio stations.
- ⑭ **STOP/MENU**
 - Stop play.
 - Access iPod/iPhone or DAB menu.
- ⑮ **ALBUM·PRESET +/-**
 - Select a preset radio station.
 - Skip to the previous/next album.
 - Adjust time.
- ⑯ **⏮ / ⏭**
 - Skip to the previous/next track.
 - Search within a track/disc.
 - Tune to a radio station.
- ⑰ **⏸**
 - Start or pause play.
 - Confirm a selection.
- ⑱ **VOLUME +/-**
 - Adjust volume.

Overview of the remote control



- ① **⏻**
 - Turn on the system, or switch to standby mode, or switch to Eco Power standby.
- ② **OPEN/CLOSE ▲**
 - Eject the disc.
- ③ **CD**
 - Select disc source.

- ④ ▲ / ▼
 - Navigate in the iPod/DAB menu.
 - Skip to the previous/next album.
 - Skip to the previous/next preset station.
 - Select 12 hour or 24 hour format.
 - Adjust hour/minute digits.
- ⑤ ⏮ / ⏭
 - Skip to the previous/next track.
 - Search within a track.
 - Tune to a radio station.
- ⑥ ▶||| / ENTER
 - Start or pause play.
 - Confirm a selection.
- ⑦ USB/MP3 LINK
 - Select USB device source.
 - Select external audio device source.
- ⑧ RDS/DISPLAY
 - Display CLOCK.
 - Display RDS/DAB information.
 - Select display information during play.
- ⑨ 🔇
 - Mute or restore volume.
- ⑩ VOL +/-
 - Adjust volume.
- ⑪ Numeric keypad
 - Select a track from a disc directly.
- ⑫ PROG/CLOCK SET
 - Program tracks.
 - Program radio stations.
 - Set the clock.
- ⑬ SLEEP/TIMER
 - Set the sleep timer.
 - Set the alarm timer.
- ⑭ DSC
 - Select a preset sound setting.
- ⑮ DBB
 - Turn on or off dynamic bass enhancement.
- ⑯ MODE/SCAN
 - Select repeat/shuffle play mode.
 - Search FM/DAB radio stations.
- ⑰ ■ / MENU
 - Stop play.
 - Access iPod or DAB menu.
- ⑱ iPod/iPhone
 - Select iPod/iPhone source.
- ⑲ DAB/TUNER
 - Select DAB/tuner source.

3 Get started

! Caution

- Use of controls or adjustments or performance of procedures other than herein may result in hazardous radiation exposure or other unsafe operation.

Always follow the instructions in this chapter in sequence.

If you contact Philips, you will be asked for the model and serial number of this apparatus.

The model number and serial number are on the bottom of the apparatus. Write the numbers here:

Model No. _____

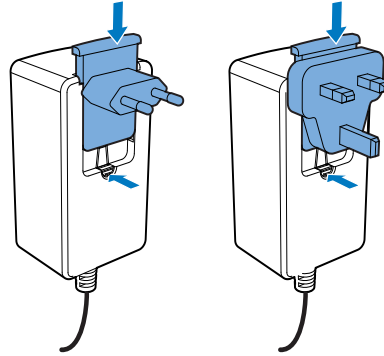
Serial No. _____

Connect power

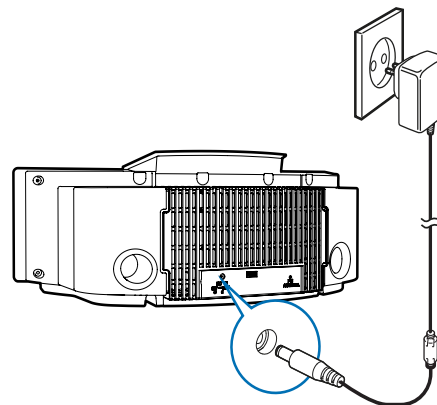
! Caution

- Risk of product damage! Ensure that the power voltage corresponds to the voltage printed on the back or underside of the apparatus.
- Risk of electric shock! When you unplug the AC adaptor, always pull the plug from the socket. Never pull the cord.
- Before you connect the AC adaptor, ensure that you have completed all other connections.

1 Select the right adaptor.



2 Connect the power adaptor to the wall outlet.



English

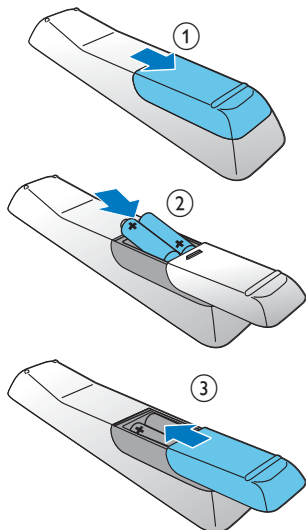
Prepare the remote control

! Caution

- Risk of explosion! Keep batteries away from heat, sunshine, or fire. Never discard batteries in fire.

To insert the remote control battery:

- 1 Open the battery compartment.
- 2 Insert 2 AAA batteries with correct polarity (+/-) as indicated.
- 3 Close the battery compartment.



☰ Note

- If you are not going to use the remote control for a long time, remove the batteries.
- Do not use old and new or different types of batteries in combination.
- Batteries contain chemical substances, so they should be disposed of properly.

Set clock

☰ Note

- You can set the clock in the standby mode only.

- 1 In standby mode, press and hold **PROG/CLOCK SET** to activate the clock setting mode.
 - ↳ SET CLOCK is displayed.
 - ↳ The 12 hour or 24 hour format is displayed.
- 2 Press **▲ / ▼** to select 12 hour or 24 hour format.
- 3 Press **PROG/CLOCK SET**.
 - ↳ The hour digits begin to blink.
- 4 Press **▲ / ▼** to set the hour.
- 5 Press **PROG/CLOCK SET**.
 - ↳ The minute digits begin to blink.
- 6 Press **▲ / ▼** to set the minute.
- 7 Press **PROG/CLOCK SET** to confirm.

Turn on

- 1 Press **⏻**.
 - ↳ The unit switches to the last selected source.

Switch to standby

- 1 Press **⏻** to switch the system to standby mode.
 - ↳ The backlight on the display panel is reduced.
 - ↳ The clock (if set) is displayed on the display panel.

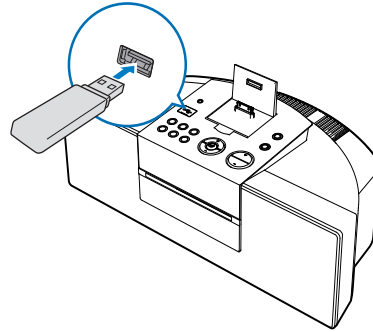
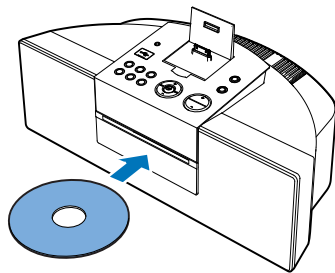
To switch the system to Eco Power standby mode:

- 1 In standby mode, press and hold **⏻** for more than 2 seconds.
 - ↳ ECO POWER is displayed.
 - ↳ The backlight on the display panel turns off.

4 Play

Play disc

- 1 Press **CD** to select the disc source.
- 2 Insert a disc into the disc compartment with the printed side facing up.
 - ↳ Play starts automatically.




- Press **▲▼** to access a folder.
- Press **◀▶** to select a file.
- Press **▶||** to start play.

Play from USB

Note

- Ensure that the USB storage device contains playable audio content.

- 1 Connect the USB storage device into the  socket.
- 2 Press **USB** to select the USB source.
 - ↳ The total number of playable tracks is displayed.
 - ↳ Play starts automatically.

Skip to a track

For CD:

- 1 Press **◀▶** to select another track.
 - To select a track directly, you can also press a key on the numerical keypad.

For MP3 disc and USB:

- 1 Press **▲▼** to select an album or folder.
- 2 Press **◀▶** to select previous/next track or file.

Pause/resume play

- 1 During play, press **▶||** to pause/resume play.

Search within a track

- 1 During play, press and hold **◀▶**.
- 2 Release to resume normal play.

Display play information

- 1 During play, press **DISPLAY** repeatedly to select different play information.

Select repeat/shuffle play options

To select repeat play mode:

- 1 During play, press **MODE** repeatedly to select a repeat option.
 - ↳ [Rep one]: plays the current track continuously.
 - ↳ [Rep all]: repeats the entire disc/programme.

To select shuffle play mode:

- 1 During play, press **MODE** repeatedly to select the shuffle play mode.
 - ↳ [SHUF]: Tracks of the entire disc are played in random order.
- To resume normal play, press **MODE** repeatedly until no shuffle/repeat option is displayed.



Tip

- During repeat/shuffle playback, press **■** to stop playback and cancel repeat/shuffle playback.
- Shuffle function is not available while programmed tracks are played.

Program tracks

You can program a maximum of 20 tracks.

- 1 In CD/USB mode, at the stop position, press **PROG** to activate the program mode.
 - ↳ [PROG] (program) and track number begin to blink.
- 2 For MP3 tracks, press **▲▼** to select an album.
- 3 Press **◀▶** to select a track number, then press **PROG** to confirm.
- 4 Repeat steps 2 to 3 to program more tracks.
- 5 Press **▶||** to play the programmed tracks.
 - ↳ During play, [PROG] (program) is displayed.
 - To erase the program: Press **■** once in the stop mode or twice during playback.
 - ↳ [PROG] disappears on the display.

5 Adjust sound

Adjust volume

- 1 During play, press **VOL +/-** to increase/decrease the volume.

Select a preset sound effect

- 1 During play, press **DSC** repeatedly to select:
 - [POP] (pop)
 - [JAZZ] (jazz)
 - [CLASSIC] (classic)
 - [ROCK] (rock)

Enhance bass

- 1 During play, press **DBB** to turn on or off dynamic bass enhancement.
↳ If DBB is activated, DBB is displayed.

Mute sound

- 1 During play, press **M** to mute/restore the speakers.

6 Play iPod/iPhone/iPad

This system is equipped with a dock for iPod/iPhone/iPad. You can enjoy audio from the docked system through the powerful speakers.

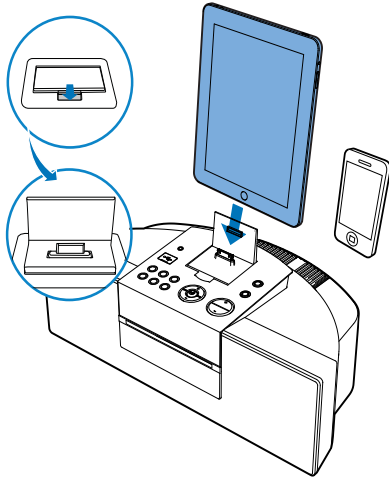
Compatible iPod/iPhone/iPad

Made for Apple iPod models with 30-pin dock connector as follows:

- iPod touch (4th generation)
- iPod touch (3rd generation)
- iPod touch (2nd generation)
- iPod touch (1st generation)
- iPod nano (6st generation)
- iPod nano (5th generation)
- iPod nano (4th generation)
- iPod nano (3rd generation)
- iPod nano (2nd generation)
- iPod nano (1st generation)
- iPhone 4
- iPhone 3GS
- iPhone 3G
- iPhone
- iPad
- iPad 2

Load the iPod/iPhone/iPad

- 1 Lift the lid of the dock.
- 2 Load the iPod/iPhone/iPad onto the dock.



Charge the iPod/iPhone/iPad

When the system is connected to power, the docked iPod/iPhone/iPad begins to charge.

Note

- iPod with color display, iPod classic, and iPod with video are not compatible with dock charging.
- In Eco power standby mode, iPod/iPhone/iPad cannot be charged.

Remove the iPod/iPhone/iPad

- 1 Pull the iPhone/iPod/iPad off the dock.
- 2 Flip down the lid to hide the dock.

Listen to the iPod/iPhone/iPad

- 1 Press the button **iPod** on your RC.
- 2 Load your iPod/iPhone/iPad.
- 3 Play the selected track on your iPod/iPhone/iPad.
 - To pause/resume the play, press **▶||**.
 - To search during play: press and hold **◀◀ / ▶▶**, then release to resume normal play.
 - To scroll through the menu, press **▲ / ▼**.
 - To confirm a selection, press **▶||** to confirm.
 - ↳ If no key is pressed for more than 10 seconds after pressing the button **MENU**, **▶||** acts back as the play/pause key.


7 Listen to radio

Listen to Digital Audio Broadcasts (DAB)

Digital Audio Broadcasting (DAB), is a way of broadcasting radio digitally through a network of transmitters. It provides you with more choice, better sound quality, and more information.

For the first time when DAB mode is switched on.

- 1 Press **SOURCE** on the main unit repeatedly to select **DAB**.
 - ↳ The system performs auto search.
 - ↳ All the available DAB stations are stored.
 - ↳ The radio tunes to the first available station

 **Tip**

- The display shows a rectangle. The position of the rectangle indicates the degree of signal strength. (The further towards the right, the greater the signal strength.)
- If there is no DAB coverage currently available, or DAB signal is too weak in your area, no DAB station is found, and message [Service not available] scrolls.

Tune to DAB radio station manually


- 1 In DAB mode, press **◀▶** repeatedly until your desired station name displays.
 - 2 Press **ENTER** to confirm the selection.
 - ↳ The radio immediately tunes to the selected station.
- About station display symbols
You probably see some symbols displayed before the station names as follows:
 - **H**: Indicates that the station is one of 10 most-listened stations by you based on DAB radio's monitoring.

- **?**: Indicates that the station is not currently available, or not active.
- **>>**: Indicates that the station is a primary station with secondary service.
- **<<**: Indicates that the station is a secondary station.

Program DAB radio stations manually

You can program a maximum of 30 preset DAB radio stations.

- 1 Tune to a DAB station.
- 2 Press **PROG** on the remote control to activate programming.
- 3 Press **▼ / ▲** on the remote control to allocate a number (1-30) for the preset.
- 4 Press **PROG** to confirm.

 **Note**

- If a DAB station is already stored under a preset location, new DAB station assigned to this location will overwrite the old DAB station.
- DAB station presets will not overwrite FM presets.

Scan for new DAB stations

New stations and services will be regularly added in the DAB broadcast. To make new DAB stations and service available on your DAB radio, a search is needed.

- 1 In DAB mode, press **SCAN**.
 - ↳ The unit starts to scan for DAB stations.

Listen to a preset DAB radio station

- 1 Press **▲ / ▼** to select a preset number on the main unit.

Display DAB information

On the display of DAB broadcasting, the first line shows station name, and the second line shows the service information for the current station. Seven types of service information are available.

- 1 Press **RDS/DISPLAY** repeatedly to cycle through the display information (if available).
 - ↳ Dynamic label segment (DLS)
 - ↳ Program type (PTY)
 - ↳ Ensemble Name
 - ↳ Time
 - ↳ Channel and frequency
 - ↳ Bit rate and audio status
 - ↳ Signal error rate

Use DAB menu

- 1 In the DAB mode, press **MENU** to enter the DAB menu.
 - ↳ The first setup option **[Station list]** displays.
- 2 Press **◀◀ / ▶▶** to scroll the menu options:
 - **[Station list]**
 - **[Full scan]**
 - **[Manual tune]**
 - **[DRC]**
 - **[Prune]**
 - **[System]**
- 3 To select an option, press **ENTER**.
- 4 Repeat step 2-3 if sub-option is available under one option.

Full scan

Full scan is used to perform a wide range of DAB radio search.

- 1 In the DAB mode, press **MENU** to enter the menu options.
- 2 Press **◀◀ / ▶▶** repeatedly until **[Full scan]** displays.
- 3 Press **▶▶** to confirm the selection.
 - ↳ Full scan starts automatically.

Manual tune

With this feature, you can tune to a specific channel/frequency manually. In addition to antenna orientation for better radio reception, the optimal reception can also be obtained with this feature.

- 1 In DAB mode, press **MENU** to display the **[Manual tune]** option.
- 2 Press **ENTER** to confirm the selection.
 - ↳ The display shows a channel and its frequency.
- 3 Press **◀◀ / ▶▶** repeatedly until the desired channel/frequency appears.
- 4 Press **ENTER** to confirm the selection.



Tip

- You can press **RDS/DISPLAY** to change the service information on the display.
- You can adjust the position of the antenna to obtain the optimal signal strength.

Dynamic Range Control (DRC)

DRC adds or removes a degree of compensation for the differences in the dynamic range between radio stations.

There are three levels of compensation:

- **[DRC Off]**: No compensation applied. (the default)
- **[DRC Low]**: Maximum compensation applied.
- **[DRC High]**: Medium compensation applied.

- 1 In DAB mode, press **MENU** to enter the menu options.
- 2 Press **◀◀ / ▶▶** repeatedly until **[DRC]** displays.
- 3 Press **ENTER** to enter the sub-menu.
 - ↳ The current DRC level displays on the first line.
- 4 Press **◀◀ / ▶▶** to select a DRC value
 - ↳ **[DRC Off]**, **[DRC Low]** and **[DRC High]** displays on the second line.

- 5 Press **▶||** to confirm the selection.
 - ↳ You should be able to hear the difference in compression immediately.

 **Note**

- The best way to determine which of these DRC value settings suits you best is to experiment with them on various source material.

Prune

This option lists active stations and removes any stations that are in the list but have no service in your area from the service list. Those invalid stations in the service list have a question mark (?) displayed in front of the station name.

- 1 Select Prune stations and press **▶||**.
 - ↳ All stations that have a question mark are deleted from the service list.

System

- **[Factory reset]:** Reset all the settings of this unit to factory default. Press **▶||** to confirm reset.
- **[SW version]:** Display software version of the unit.

Listen to FM radio

Tune to a radio station

- 1 Press **TUNER** to select FM.
- 2 Press **◀◀ / ▶▶** to tune to a specific frequency.
 - ↳ Play starts automatically.

 **Tip**

- You can press **MODE/SCAN** to tune to the next station with strong reception automatically.

Program radio stations automatically

You can program a maximum of 30 preset radio stations (FM).

- 1 In the tuner mode, press and hold **MODE/SCAN** to activate automatic program mode.
 - ↳ All available stations are programmed.
 - ↳ The first programmed radio station is broadcast automatically.

Program radio stations manually

 **Note**

- You can program a maximum of 30 preset radio stations.

- 1 Tune to a radio station.
- 2 Press **PROG** to activate program mode.
- 3 Press **▲ / ▼** to allocate a number (1 to 30) to this radio station, then press **PROG** to confirm.
 - ↳ The preset number and the frequency of the preset station are displayed.
- 4 Repeat the previous steps to program other stations.

 **Note**

- To overwrite a programmed station, store another station in its place.

Select a preset radio station

- 1 In tuner mode, press **▲ / ▼** to select a preset number.

 **Tip**

- Position the antenna as far as possible from TV, VCR, or other radiation source.
- For optimal reception, fully extend and adjust the position of the antenna.

FM stations with RDS

Radio Data System (RDS) is a service that sends additional broadcast information along with FM stations.

If you listen to a FM station with RDS signal, "RDS" displays.

Display RDS information

- 1 Tune to the desired RDS radio station on the FM waveband.
- 2 Press **RDS/DISPLAY** on the remote control repeatedly to switch through the following information (if available):
 - Radio text message
 - Program type (for example: News, Sport...)
 - Frequency
 - Stereo/Mono Mode
 - Time
 - Date

Note

- [NO Radio Text], [NO PTY], [NO Name], [Mono], [00:00:00] or [0-0-0000] displays if no RDS signal is available.

Set RDS clock

You can use time signal broadcast together with the RDS signal to set the clock of the unit.

- 1 Tune to a RDS radio station that transmits time signals.
- 2 Press and hold **MENU**.
 - ↳ [CLK Sync] is displayed.

Note

- The accuracy of the transmitted time depends on the RDS station that transmits the time signal.

Reset to factory setting

- 1 In DAB/FM mode, press **MENU** to enter the menu options.
- 2 Press **◀◀ / ▶▶** repeatedly until [System] displays on the display panel.
- 3 Press **▶▶** to access the system menu.
 - ↳ [Factory Reset] displays.
- 4 Press **▶▶** to enter factory reset menu.
 - ↳ The display panel shows options [Yes] and [No] under [Factory Reset].
- 5 Press **◀◀ / ▶▶** to select [Yes].
- 6 Press **▶▶** to confirm the DAB/FM factory reset.

8 Other features

Set the sleep timer

This system can switch to standby automatically after a set period of time.


- 1 When the system is turned on, press **SLEEP** repeatedly to select a set period of time (in minutes).
 - ↳ When sleep timer is activated, **zz** is displayed.

To deactivate sleep timer

- 1 Press **SLEEP** repeatedly until "OFF" is displayed.
 - ↳ When sleep timer is deactivated, [SLEEP](sleep) **zz** disappears on the display.

Set the alarm timer

This unit can be used as an alarm clock. The disc/radio/USB/iPod is activated to play at a preset time.

 **Note**


- Ensure that you have set the clock correctly.

- 1 Press **⏻** to switch to standby mode.
- 2 Press and hold **SLEEP/TIMER** for more than two seconds.
 - ↳ A prompt to select the source is displayed.
- 3 Press **CD**, **iPod**, **TUNER**, **DAB**, or **USB** to select a source.
- 4 Press **SLEEP/TIMER** to confirm.
 - ↳ The clock digits are displayed.
 - ↳ The hour digits begin to blink.
- 5 Press **▲** / **▼** to set the hour.

- 6 Press **SLEEP/TIMER** to confirm.
 - ↳ The minute digits begin to blink.
- 7 Press **▲** / **▼** to set the minute.
 - ↳ The timer is set and activated.
 - ↳ **⌚** is displayed.

Activate and deactivate the alarm timer

- 1 Switch the system to standby mode.
- 2 Press **TIMER** repeatedly to activate or deactivate the timer.
 - ↳ If the timer is activated, **⌚** is displayed.
 - ↳ If the timer is deactivated, **⌚** disappears on the display.

 **Note**

- If DISC/USB/iPod source is selected and the track cannot be played, tuner is activated automatically.

Play from an external device

You can also listen to an external audio device through this unit.

- 1 Press **USB/MP3 LINK** to select the MP3 link source.
- 2 Connect the supplied MP3 link cable to:
 - the **MP3 LINK** jack (3.5mm) on the unit.
 - the headphone jack on an external device.
- 3 Start to play the device (see the device user manual).

9 Product information

Note

- Product information is subject to change without prior notice.

Specifications

Amplifier

Rated Output Power	2X15W RMS
Frequency Response	60 Hz - 16 kHz, ± 3 dB
Signal to Noise Ratio	>65dBA
Aux Input	0.5 V RMS 20kohm

Disc

Laser Type	Semiconductor
Disc Diameter	12cm/8cm
Support Disc	CD-DA, CD-R, CD-RW, MP3-CD
Audio DAC	24Bits / 44.1kHz
Total Harmonic Distortion	<1%
Frequency Response	60Hz -16kHz (44.1kHz)
S/N Ratio	>65dBA

Tuner

Tuning Range	FM: 87.5 - 108 MHz; DAB: 174.92-239.20 MHz
Tuning grid	50 KHz
DAB sensitivity - EN50248	<-95 dbm
Total Harmonic Distortion	<2%
Signal to Noise Ratio	>50 dB
Number of presets	30 (FM) 30 (DAB)

Speakers

Speaker Impedance	4 ohm
Speaker Driver	2 X 3" full range
Sensitivity	>82 dB/m/W

General information

AC power (power adaptor)	Model No.: OH-1048E1203500U(Philips); Input: 100-240 V~, 50/60Hz 1.5A MAX; Output: 12 V \equiv 3.5A;
Operation Power Consumption	25 W
Eco Standby Power Consumption	<1 W
USB Direct	Version 2.0/1.1
Dimensions - Main Unit (W x H x D)	390 x 140.5 x 200.5mm
Weight - Main Unit	2.54 kg

Maintenance

Clean the cabinet

- Use a soft cloth slightly moistened with a mild detergent solution. Do not use a solution containing alcohol, spirits, ammonia or abrasives.

Clean discs

- When a disc becomes dirty, clean it with a cleaning cloth. Wipe the disc from the centre out.



- Do not use solvents such as benzene, thinner, commercially available cleaners, or antistatic spray intended for analogue records.

Clean the disc lens

- After prolonged use, dirt or dust may accumulate at the disc lens. To ensure good play quality, clean the disc lens with Philips CD lens cleaner or any commercially available cleaner. Follow the instructions supplied with cleaner.

USB playability information

Compatible USB storage devices:

- USB flash memory (USB 2.0 or USB1.1)
- USB flash players (USB 2.0 or USB1.1)
- memory cards (requires an additional card reader to work with this system)

Supported formats:

- USB or memory file format FAT12, FAT16, FAT32 (sector size: 512 bytes)
- MP3 bitrate (data rate): 32-320 Kbps and variable bitrate
- Directory nesting up to a maximum of 8 levels
- Number of albums/ folders: maximum 99
- Number of tracks/titles: maximum 999
- ID3 tag v2.0 or later
- File name in Unicode UTF8 (maximum length: 128 bytes)

Unsupported formats:

- Empty albums: an empty album is an album that does not contain MP3 files, and is not shown in the display.
- Unsupported file formats are skipped. For example, Word documents (.doc) or MP3 files with extension .dlf are ignored and not played.
- AAC, WAV, PCM audio files
- DRM protected WMA files (*.wav, *.m4a, *.m4p, *.mp4, *.aac)
- WMA files in Lossless format

Supported MP3 disc formats

- ISO9660, Joliet
- Maximum title number: 512 (depending on file name length)
- Maximum album number: 255
- Supported sampling frequencies: 32 kHz, 44.1kHz, 48 kHz
- Supported Bit-rates: 32~256 (kbps), variable bit rates

RDS program types

NO TYPE	No RDS programme type
NEWS	News services
AFFAIRS	Politics and current affairs
INFO	Special information programs
SPORT	Sports
EDUCATE	Education and advanced training
DRAMA	Radio plays and literature
CULTURE	Culture, religion and society
SCIENCE	Science
VARIED	Entertainment programs
POP M	Pop music
ROCK M	Rock music
MOR M	Light music
LIGHT M	Light classical music
CLASSICS	Classical music
OTHER M	Special music programs
WEATHER	Weather
FINANCE	Finance
CHILDREN	Children's programs
<hr/>	
SOCIAL	Social Affairs
RELIGION	Religion
PHONE IN	Phone In
TRAVEL	Travel
LEISURE	Leisure
JAZZ	Jazz Music
COUNTRY	Country Music
NATION M	National Music
OLDIES	Oldies Music
FOLK M	Folk Music
DOCUMENT	Documentary
TES	Alarm Test
ALARM	Alarm

10 Troubleshooting



Warning

- Never remove the casing of this apparatus.

To keep the warranty valid, never try to repair the system yourself.

If you encounter problems when using this apparatus, check the following points before requesting service. If the problem remains unsolved, go to the Philips web site (www.philips.com/welcome). When you contact Philips, ensure that the apparatus is nearby and the model number and serial number are available.



© 2011 Koninklijke Philips Electronics N.V.
All rights reserved.
DCB352_10_UM_V1.1

