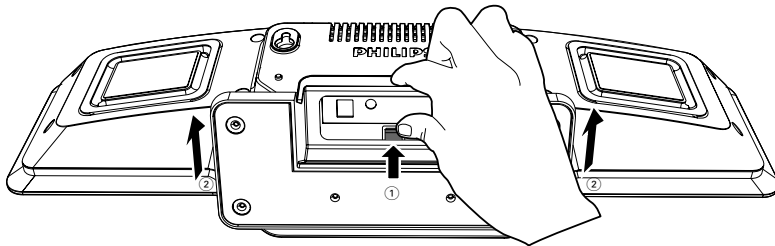
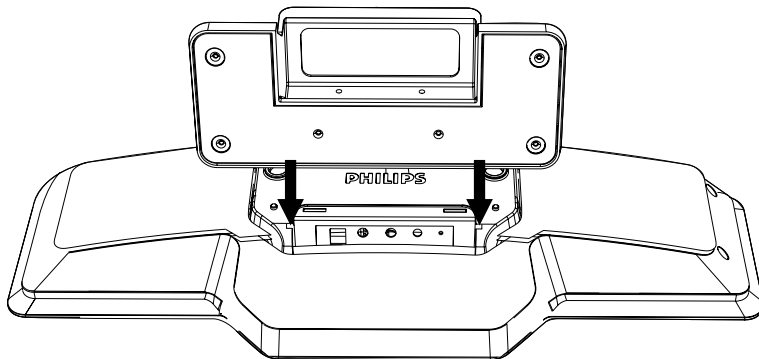


①



②



ENGLISH

Remove the detachable stand before mounting

- As shown in figure 1, locate the latch on the bottom panel, and press the latch to unlatch the stand, then take it out.

Attach the stand back for desktop placement

- As shown in figure 2, align 2 slots of the main unit with 2 latches of the stand, then push the stand in to latch.

Note for mounting

To secure the mounting on wall, concrete wall is required.

Use screws to mount the main unit on the wall

- Use this sheet as a template. Mark the position where you want to hang the unit on the wall (as shown above) and then drill two 6mm diameter holes.
- Secure the 2 dowels and 2 screws (both supplied) in the holes respectively. Leave the screws 5mm proud of the wall.
- Hang the unit on the fastening screws.