

Quick Start Guide



Step A *Connect*

Step B *Setup*

What's in the Box?

You should find these items upon opening the box.



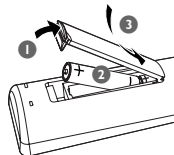
Quick Start Guide



User manual



Remote Control

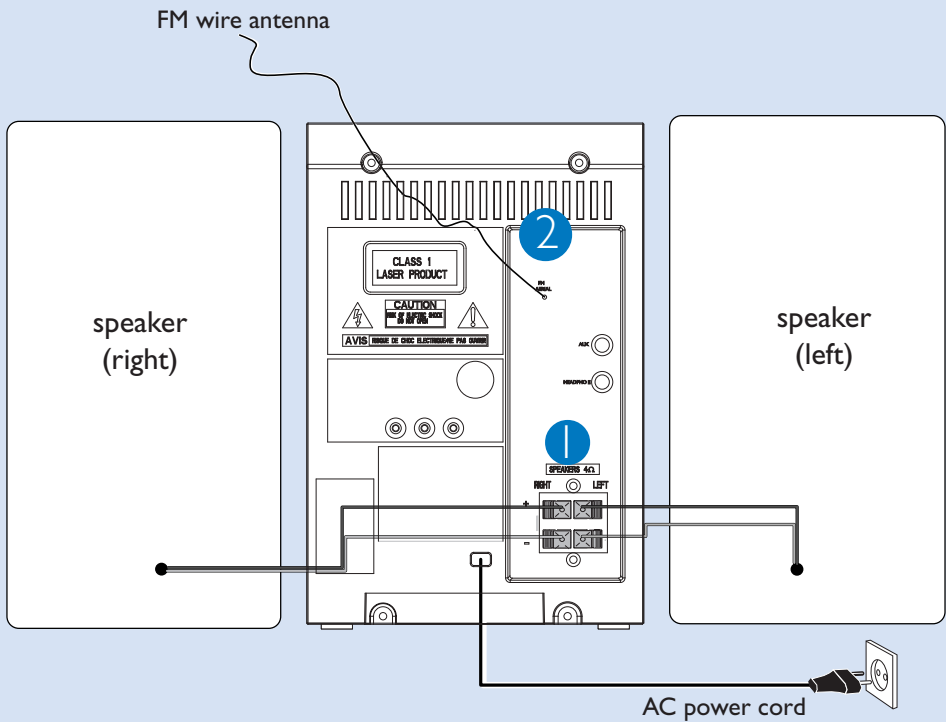


PHILIPS

Step A *Connect*

Connection

- 1 Connect the speaker wires to the **SPEAKERS** terminals.
- 2 Connect the power cord of the system to the AC power outlet.



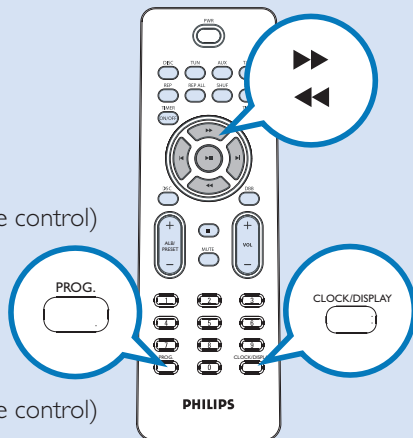
Tip:

It is unnecessary to connect the FM pigtail antenna since it is fixed to the main unit.

Step B *Setup*

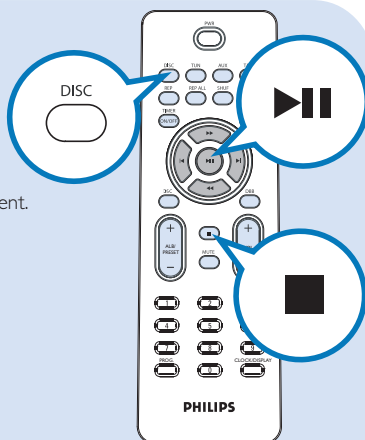
Setting the clock

- 1 In standby mode, press and hold **CLOCK/DISPLAY** on the remote control set for 2 seconds.
- 2 Press **PROG** to select 12-hour or 24-hour display.
- 3 Press **CLOCK/DISPLAY** to confirm.
→ The clock digits for the hours flash.
- 4 Press **TUNING** **◀◀ ▶▶** (**◀◀/▶▶** on the remote control) to set the hours.
- 5 Press **CLOCK/DISPLAY** again.
→ The clock digits for the minutes flash.
- 6 Press **TUNING** **◀◀ ▶▶** (**◀◀/▶▶** on the remote control) to set the minutes.
- 7 Press **CLOCK/DISPLAY** to confirm the time.



Playing a disc

- 1 Select **CD** source.
- 2 Lift the CD door on the top of the system to open the CD compartment.
- 3 Insert a disc with the printed side facing up and press down on **PULL TO OPEN** to close the CD door.
- 4 Press **▶ ||** to start playback.
- 5 Press **■** to stop playback.



Step B *Setup*

Programming and tuning to radio stations

- 1** Select **TUNER** source.
- 2** Press **PROG** on the remote control for more than two seconds to program all available stations in order of waveband.
- 3** Press **ALBUM/PRESET +/-** until the desired preset station is displayed

Tip:

Detailed playback features and additional functions are described in the accompanied owner's manual.

Notes for the remote control:

- First, select the source you wish to control by pressing one of the source select keys on the remote control (DISC or AUX, for example).
- Then select the desired function (▶II, ◀, ▶I for example).



© Royal Philips Electronics N.V. 2008
All rights reserved.

<http://www.philips.com>

