

Register your product and get support at  
[www.philips.com/welcome](http://www.philips.com/welcome)

DS1150/93



# User Manual

**PHILIPS**

# Contents

---

<b>1 Important</b>	2
Safety	2
Notice	3

---

<b>2 Your Docking Speaker</b>	4
Introduction	4
What's in the box	4
Overview of the main unit	4

---

<b>3 Get started</b>	5
Connect power	5
Turn on	5

---

<b>4 Play</b>	6
Play from iPod/iPhone	6
Adjust volume level	7
Adjust brightness	7

---

<b>5 Product information</b>	7
Specifications	7

---

<b>6 Troubleshooting</b>	8
--------------------------	---

# 1 Important

---

## Safety

---

### Important Safety Instructions

- Heed all warnings.
- Follow all instructions.
- Do not use this apparatus near water.
- Clean only with dry cloth.
- Do not block any ventilation openings. Install in accordance with the manufacturer's instructions.
- Do not install near any heat sources such as radiators, heat registers, stoves, or other apparatus (including amplifiers) that produce heat.
- Protect the power cord from being walked on or pinched, particularly at plugs, convenience receptacles, and the point where they exit from the apparatus.
- Only use attachments/accessories specified by the manufacturer.
- Unplug this apparatus during lightning storms or when unused for long periods of time.
- Refer all servicing to qualified service personnel. Servicing is required when the apparatus has been damaged in any way, such as power-supply cord or plug is damaged, liquid has been spilled or objects have fallen into the apparatus, the apparatus has been exposed to rain or moisture, does not operate normally, or has been dropped.
- Apparatus shall not be exposed to dripping or splashing.
- Do not place any sources of danger on the apparatus (e.g. liquid filled objects, lighted candles).

- Where the MAINS plug or an appliance coupler is used as the disconnect device, the disconnect device shall remain readily operable.



### Warning

- Never remove the casing of this apparatus.
- Never lubricate any part of this apparatus.
- Never place this apparatus on other electrical equipment.
- Keep this apparatus away from direct sunlight, naked flames or heat.
- Make sure that you always have easy access to the power cord, plug, or adaptor to disconnect the apparatus from the power.

---

## Notice

Any changes or modifications made to this device that are not expressly approved by Philips Consumer Lifestyle may void the user's authority to operate the equipment.

---

### Disposal of your old product

Your product is designed and manufactured with high quality materials and components, which can be recycled and reused. Never dispose of your product with other household waste. Please inform yourself about the local rules on the separate collection of electrical and electronic products and batteries. The correct disposal of these products helps prevent potentially negative consequences on the environment and human health. Please visit [www.recycle.philips.com](http://www.recycle.philips.com) for additional information on a recycling center in your area.

#### Environmental information

All unnecessary packaging has been omitted. We have tried to make the packaging easy to separate into three materials: cardboard (box), polystyrene foam (buffer) and polyethylene (bags, protective foam sheet.) Your system consists of materials which can be recycled and reused if disassembled by a specialized company. Please observe the local regulations regarding the disposal of packaging materials, exhausted batteries and old equipment.



The making of unauthorized copies of copy-protected material, including computer programs, files, broadcasts and sound recordings, may be an infringement of copyrights and constitute a criminal offence. This equipment should not be used for such purposes.



"Made for iPod" and "Made for iPhone" mean that an electronic accessory has been designed to connect specifically to iPod or iPhone respectively, and has been certified by the developer to meet Apple performance standards. Apple is not responsible for the operation of this device or its compliance with safety and regulatory standards. Please note that the use of this accessory with iPod or iPhone may affect wireless performance. iPod and iPhone are trademarks of Apple Inc., registered in the U.S. and other countries.

#### Note

- The type plate is located on the bottom of the apparatus.

## 2 Your Docking Speaker

Congratulations on your purchase, and welcome to Philips! To fully benefit from the support that Philips offers, register your product at [www.philips.com/welcome](http://www.philips.com/welcome).

---

### Introduction

With this docking speaker, you can enjoy audio from the iPod/iPhone and other audio devices.

---

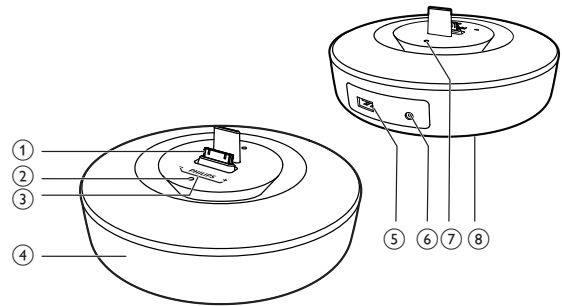
### What's in the box

Check and identify the contents of your package:

- Main unit
- 1 x AC adaptor
- Quick start guide

---

### Overview of the main unit



- ① **iPod/iPhone dock**
- ② **☀ ☀**
  - Adjust the brightness of bottom light.
- ③ **+ / -**
  - Adjust volume.
- ④ **Display**
- ⑤ **🔌**
  - Charge your iPod/iPhone through USB cable.
- ⑥ **Power supply socket**
  - connect AC power.
- ⑦ **CLOCK**
  - Adjust the brightness of Display.
- ⑧ **Bottom light**

# 3 Get started

## ! Caution

- Use of controls, adjustments, or performance of procedures other than herein may result in hazardous radiation exposure or other unsafe operation.

Always follow the instructions in this chapter in sequence.

If you contact Philips, you will be asked for the model and serial number of this apparatus. The model number and serial number are on the bottom of the apparatus. Write the numbers here:

Model No. \_\_\_\_\_

Serial No. \_\_\_\_\_

---

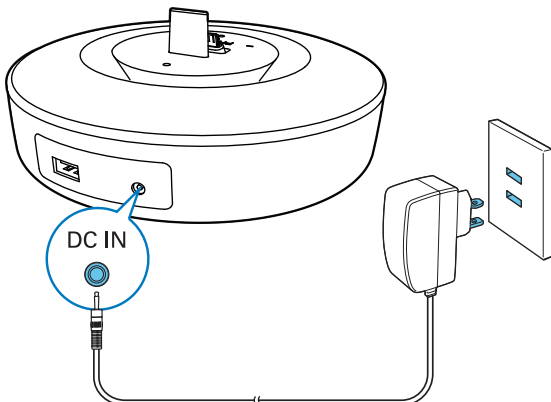
## Connect power

## ! Caution

- Risk of product damage! Make sure that the power supply voltage corresponds to the voltage printed on the back of the unit.
- Risk of electric shock! When you unplug the AC adaptor, always pull the plug from the socket. Never pull the cord.
- Before connecting the AC adaptor, Make sure that you have completed all other connections.

Connect the AC power adaptor to:

- the power supply socket on the back of the docking speaker.
- the wall power outlet.



---

## Turn on

In standby mode, the docking speaker turns on automatically when it detects an audio signal from docked iPod/iPhone.

---

## Switch to standby mode

The unit switches to standby mode if there is no audio signal from docked iPod/iPhone over 15 minutes.

# 4 Play

---

## Play from iPod/iPhone

You can enjoy audio from iPod/iPhone through this docking speaker.

---

### Compatible iPod/iPhone

The docking speaker supports the following iPod/iPhone models.

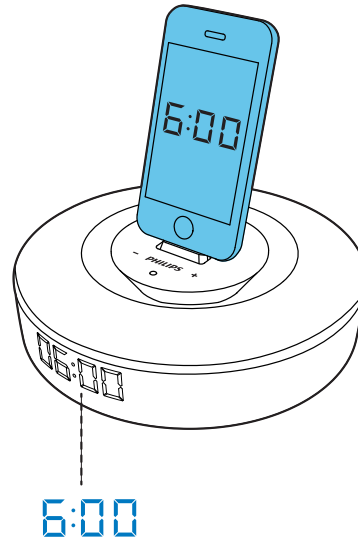
Made for :

- iPhone 4S
- iPhone 4
- iPhone 3GS
- iPhone 3G
- iPhone
- iPod classic
- iPod nano (1st, 2nd, 3rd, 4th, 5th, and 6th generation)
- iPod touch(1st, 2nd, 3rd, and 4th generation)
- iPod mini

---

### Load the iPod/iPhone

- Insert your iPod/iPhone into the dock.
  - ↳ The docking speaker synchronizes the time from the docked iPod/iPhone.



### To remove the iPod/iPhone

- Pull your iPod/iPhone out of the dock.

---

### Listen to the iPod/iPhone

#### Note

- Make sure that the iPod/iPhone is loaded correctly.

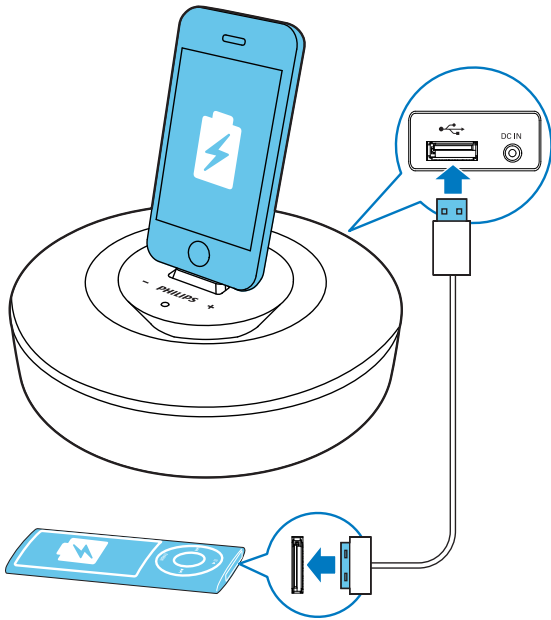
- Start music play in your iPod/iPhone.
  - ↳ You can hear music from this docking speaker.

---

## Charge the iPod/iPhone

When the docking speaker is connected to wall power outlet, the docked iPod/iPhone begins to charge.

- You can also connect your iPod/iPhone to the USB socket in the docking speaker to charge.



---

## Adjust volume level

- During play, press **VOL +/-** to increase or decrease the volume level.  
↳ The volume level shows in the display.

---

## Adjust brightness

- Press **CLOCK** repeatedly to select different levels of display brightness.
- Press **\* ☀** repeatedly to select different levels of bottom light brightness.

# 5 Product information

## Note

- Product information is subject to change without prior notice.

---

## Specifications

---

### Amplifier

Rated Output Power	2X2 W RMS
Signal to Noise Ratio	77 dB

---

### General information

AC power (power adaptor)	S018KC0590240 (Philips) Input: 100-240V~, 50/60Hz, 500mA; Output: 5.9V = 2400mA;
--------------------------	--

Operation Power Consumption	18W
Dimensions - Main Unit (W x H x D)	176.4 x 176.4 x 77.3mm
Weight - Main Unit	0.88 kg



# 6 Troubleshooting



## Warning

- Never remove the casing of this apparatus.

To keep the warranty valid, never try to repair the system yourself.

If you encounter problems when using this apparatus, check the following points before requesting service. If the problem remains unsolved, go to the Philips web site ([www.philips.com/welcome](http://www.philips.com/welcome)). When you contact Philips, ensure that the apparatus is nearby and the model number and serial number are available.

### No power

- Make sure that the AC power plug of the unit is connected properly.
- Make sure that there is power at the AC outlet.

### No sound

- Adjust the volume.

### No response from the unit

- Disconnect and reconnect the AC power plug, then turn on the docking speaker again.



Specifications are subject to change without notice  
© 2011 Koninklijke Philips Electronics N.V.  
All rights reserved.

DS1150\_93\_UM\_V1.2

