

2 Set up

Adjusting the speakers

- 1 Press **STANDBY-ON** on the main unit to turn it on.
- 2 Press **SURROUND** on the remote control.
- 3 Press and hold **PROGRAM** on the front panel to access the system setup menu.

To adjust the audio delay for the centre speaker only:

- Press **◀◀** or **▶▶** to until 'CENTER DELAY' appears.
- Rotate the **VOL** control to change the delay time.

To adjust the audio delay for the rear speaker only:

- Press **◀◀** or **▶▶** to until 'REAR DELAY' appears.
- Rotate the **VOL** control to change the delay time.

- 4 To confirm all settings, press **PROGRAM**.

See the accompanying user manual for other options to fine-tune your speaker settings.

3 Enjoy

Start Playback

- 1 Press **STANDBY-ON** on the main unit to turn it on.

Note Ensure all the audio/video devices are connected before you start playback.

- 2 Turn on the connected audio/video device.
- 3 Press **PLAY** on the connected audio/video device.
- 4 Press **DISC/DI**, **RADIO**, **TV** or **AUX** to select the preferred audio input source.

Playback from portable audio player

Listen to audio from your portable audio player by connecting the device to your main unit.

- 1 Connect the supplied MP3 Line-In cable from the MP3 LINE-IN socket on the main unit to the headphone output socket on your portable audio player.
- 2 Press **PLAY** on your portable audio player.
- 3 Press **MP3 LINE-IN** to listen to the playback.

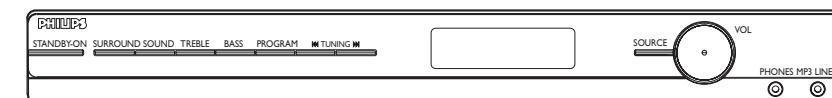
See the accompanying user manual for radio tuning and other playback settings.

Quick Start Guide



- 1 Connect
- 2 Set up
- 3 Enjoy

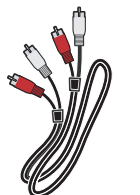
What's in the box?



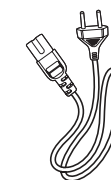
Main Unit



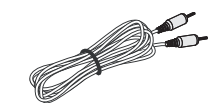
Remote Control and 2 batteries



Audio cable



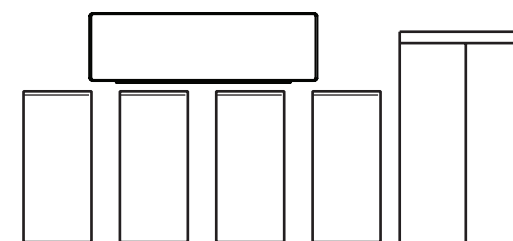
Power cable



MP3 Line-In cable for portable audio player



Coaxial cable



1 centre, 2 front, 2 rear speakers and subwoofer



FM wire antenna



AM/MW loop antenna



User Manual

Need help?

User Manual

See the user manual that came with your Philips Digital AV Receiver System.

Online

Go to www.philips.com/welcome.



2007 © Koninklijke Philips N.V.
All rights reserved.

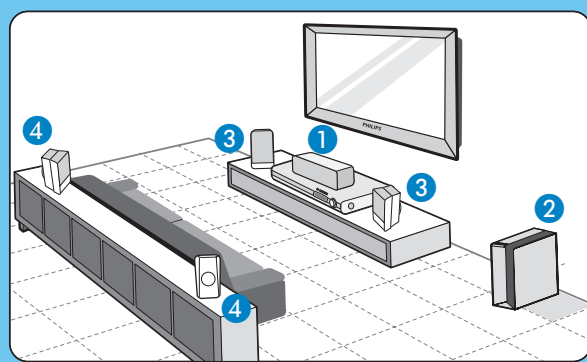
SGP713/98-EN1

PHILIPS

1 Connect

A Placement

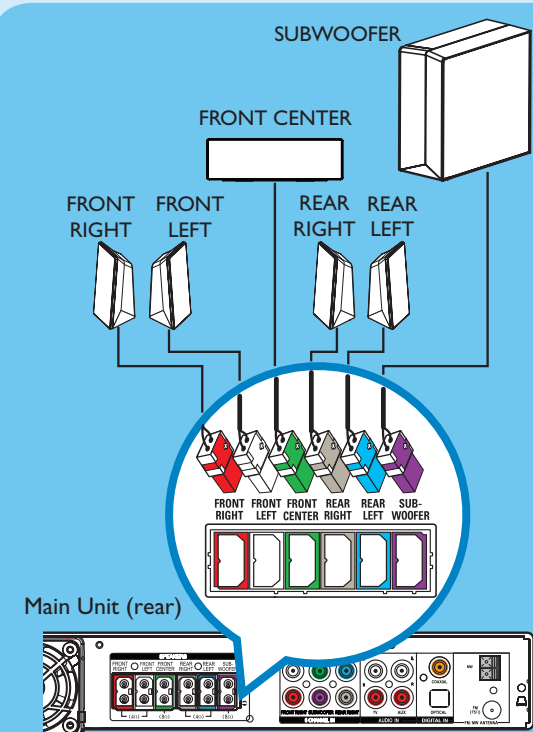
Proper speakers system placement is important to ensure optimum sound performance.



- 1 Place the centre speaker above or close to the TV.
- 2 Place the subwoofer on the floor, at least one meter away from the TV.
- 3 Place the front speakers at equal distances from the TV.
- 4 Place the rear speakers at normal listening ear level.

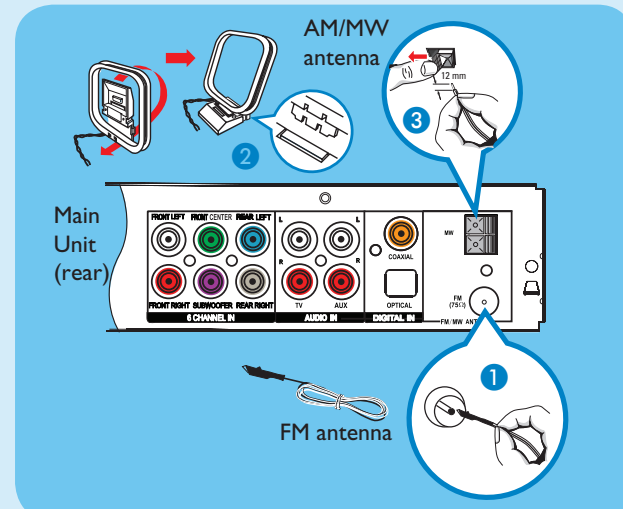
B Connect the speakers and subwoofer

Connect the various coloured plugs from the speakers and subwoofer to the same coloured sockets at the rear of the main unit.



C Connect the radio antennas

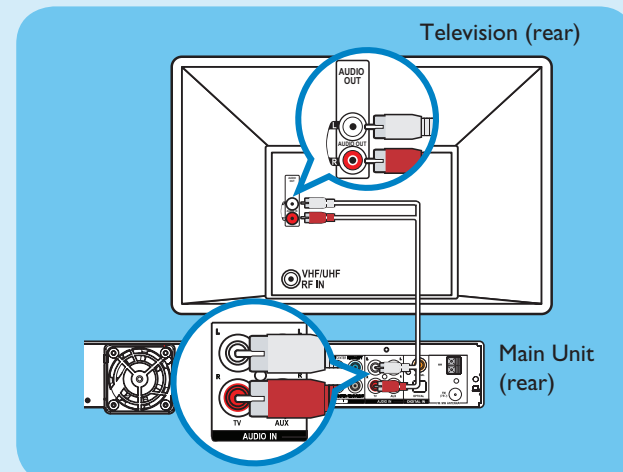
Keep the antennas away from the electronic devices to prevent unwanted interference.



- 1 Connect the FM antenna to the FM 75 Ω socket. Extend the wire and fix its end to the wall.
- 2 Unfold the AM/MW loop antenna and fix the claw into the slot. Push the tabs and insert the wires into the AM/MW sockets.

D Connect the audio from TV (optional)

Connect the red and white audio cable from the AUDIO IN - TV sockets on the main unit to the AUDIO OUT sockets on your TV.

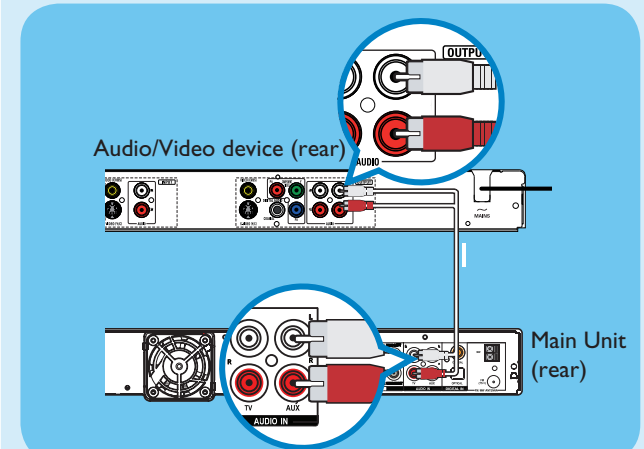


Note Press **TV** on the remote control to get the sound output from the speakers system when watching the TV program.

E Connect the audio from audio/video devices (DVD Player, Recorder or Cable/Satellite Receiver)

Option 1: Using the analogue audio sockets

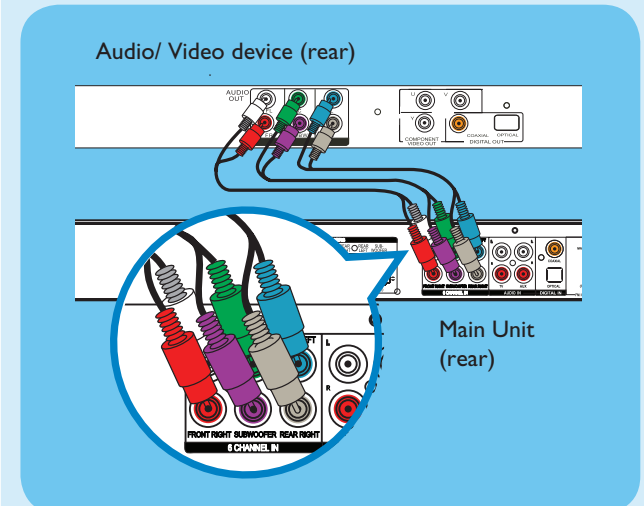
Connect the red and white audio cable from the AUDIO IN - AUX sockets on the main unit to the AUDIO OUT sockets on the other device.



Note Start playback on the device. Press **AUX** on the remote control to hear the sound output from the speakers.

Option 2: Using the 6 Channel In sockets

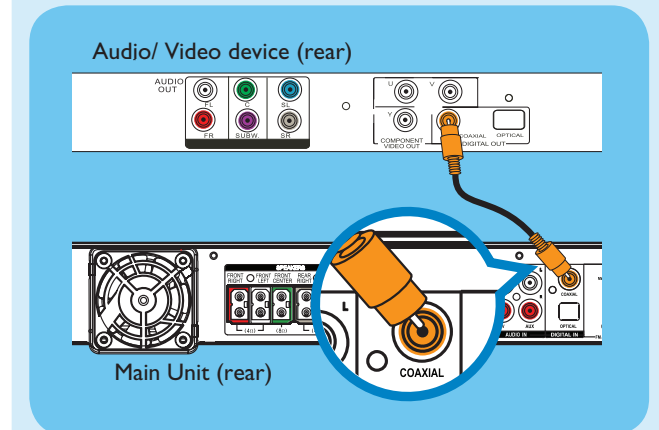
Connect the audio cables (not supplied) from the 6 CHANNEL IN sockets on the main unit to the six channel AUDIO OUT sockets on the other device.



Note Start playback on the device. Press **DISC/DI** on the remote control repeatedly until 'DISC 6CH' appears.

Option 3: Using the Coaxial In socket

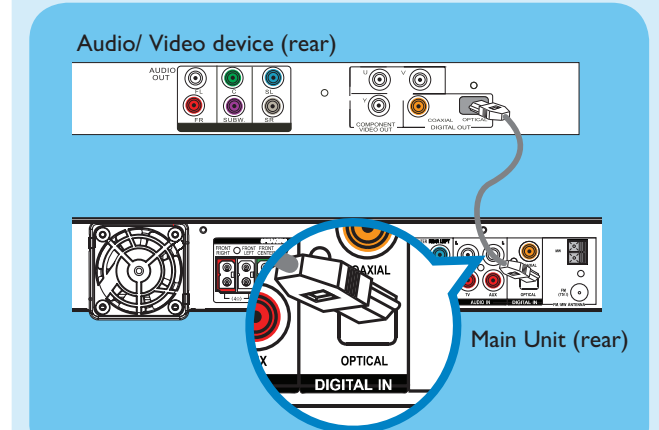
Connect a coaxial cable from the COAXIAL socket on the main unit to the COAXIAL OUT sockets on the other device.



Note Start playback on the device. Press **DISC/DI** on the remote control repeatedly until 'COAX IN' appears.

Option 4: Using the Optical In socket

Connect an optical cable (not supplied) from the OPTICAL sockets on the main unit to the OPTICAL OUT sockets on the other device.



Note Start playback on the device. Press **DISC/DI** on the remote control repeatedly until 'OPTI IN' appears.