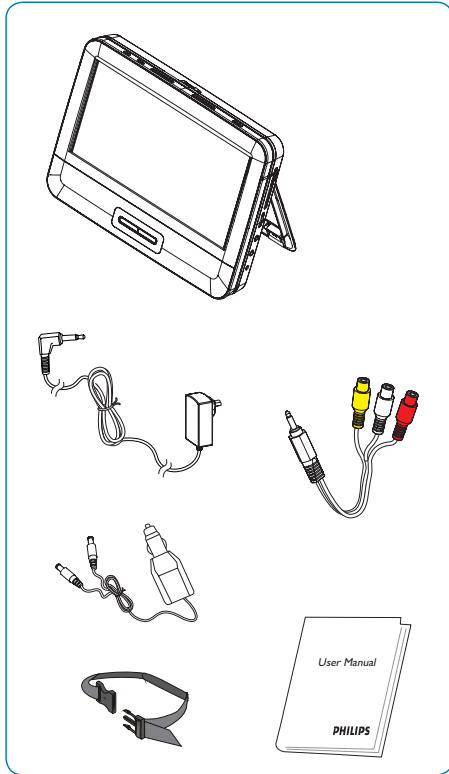
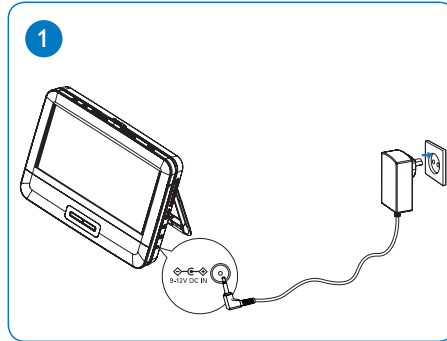


Quick Start Guide

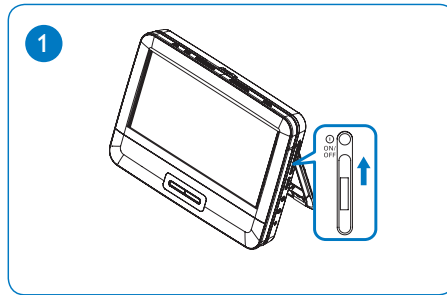
1



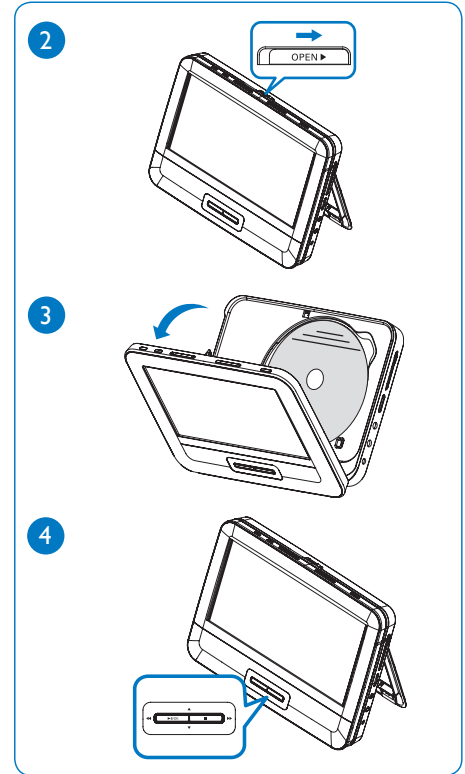
2



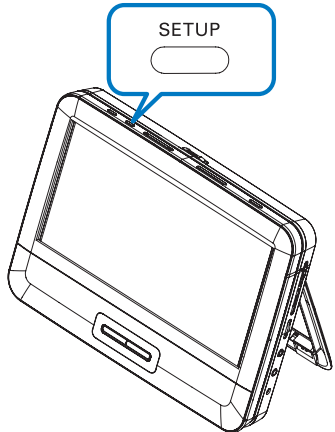
3



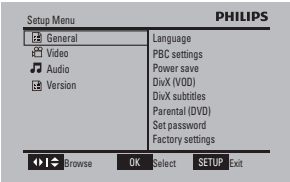
3



4 

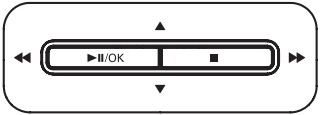


SETUP

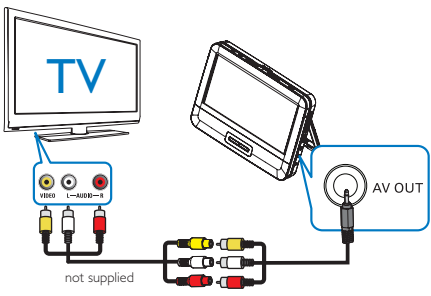


PHILIPS	
Setup Menu	
General	Language
Video	PBC settings
Audio	Power save
Version	DivX (VOD)
	DivX subtitles
	Parental (DVD)
	Set password
	Factory settings

Navigation: Browse Select SETUP Exit



5 



TV

AV OUT

not supplied

6 



<http://www.welcome.philips.com/>

PHILIPS
A simple life

Welcome to simplicity



 Be responsible
Respect copyrights

© 2011 Koninklijke Philips Electronics N.V.
All rights reserved.

