

Quick Use Guide

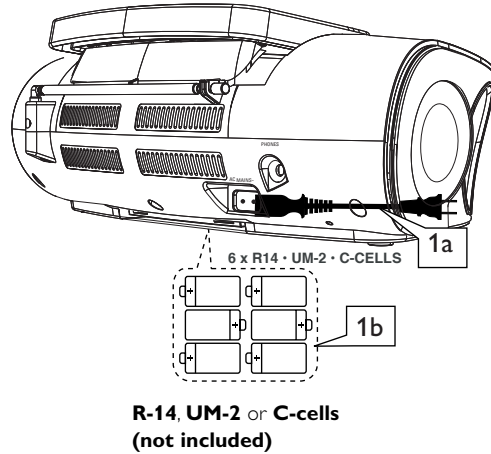
AZ1122
AZ1123



PHILIPS

1 Choosing Power Supply

- a Connect the AC power cord to the **AC MAINS** inlet and the wall socket.
- OR-
- b Open the **battery door** and insert 6 x C batteries (not included).



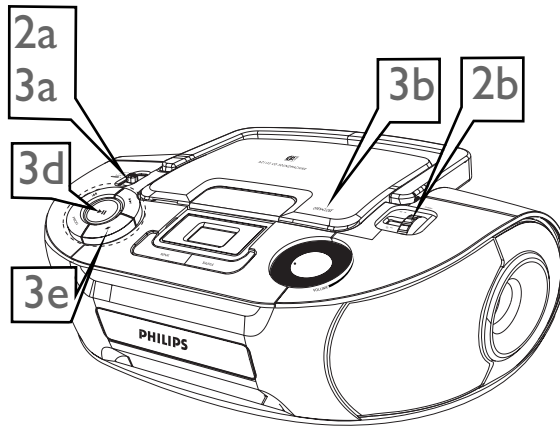
2 Listening to the Radio

- a Push the **source selector** to **FM** or **AM** to select your wave-band.
- b Turn **TUNING** to tune to a station.

3 Playing a disc

This CD player Audio Discs including CD-Recordables and CD-Rewritables. Do not try to play a MP3, CD-ROM, CD-1, CDV, VCD, DVD or computer CD.

- a Adjust the **source selector** to **CD**.
- b Open the disc door.
- c Insert a disc with the printed side facing up and close the door.
- d Press **▶||** to start playback.
- e To stop disc playback, press **■**.



Source selector
Slide to select function: CD, radio (FM/AM)

▶||
Press to start or pause disc playback

▶▶, ◀◀
Briefly press to skip to the beginning of the current/previous/ later disc track; During disc playback, press and hold to find a particular passage backward/forward

PROG
Use to program disc tracks and review a disc program

■
Press to stop disc playback or erase a disc program

Telescopic antenna
Improves FM reception

Battery door

OPEN·CLOSE
Push to open the disc door

TUNING
Turn to tune to a station

VOLUME
Turn to adjust volume level

Display
Shows disc functions

SHUFFLE
Press to select SHUFFLE mode

REPEAT
Press to select REPEAT mode

AC MAINS
inlet for the AC power cord.

