

Register your product and get support at
Cadastre seu produto e obtenha suporte em
Registre su producto y obtenga asistencia en

CEM5000

www.philips.com/welcome



EN User manual

ES Manual del usuario

PT-BR Manual do Usuário

PHILIPS

Contents

1 Important	4
Safety	4
Notice	4
2 Your car audio system	6
Introduction	6
What's in the box	6
Overview of the main unit	7
Overview of the remote control	9
3 Get started	11
Install the car audio	11
Install remote control battery	15
Turn on	15
Set clock	15
4 Listen to radio	16
Tune to a radio station	16
Store radio stations in memory	16
Tune to a preset station	16
Play with RDS	16
5 Use bluetooth devices	18
Pairing bluetooth devices	18
Make a call	18
Call transfer	19
Terminate call	19
Play audio files from bluetooth devices	19
6 Play audio files	20
Play a disc	20
Play from USB/SD/SDHC device	20
Control play	21
Search for an MP3/WMA track	21
View play information	21
Intro play	21
Shuffle play	21
Repeat play	22
Connect external sound source	22
7 Adjust sound	23
Adjust volume	23
Mute	23
Turn DBB and subwoofer on/off	23
Select preset equalizer	23
Other sound settings	23
8 Adjust system settings	24
BT mode	24
Language	24
LCD contrast	24
Dimmer	24
Blackout	24
Beep	24
Demo	24
Reset	25
9 Additional information	26
Detach the front panel	26
Replace fuse	26
Remove the unit	26
10 Product information	27
11 Troubleshooting	28
About Bluetooth device	28
12 Glossary	30

1 Important

Safety

- Read and understand all instructions before you use your apparatus. If damage is caused by failure to follow instructions, the warranty does not apply.
- This apparatus is designed for negative ground (earth) 12 V DC operation only.
- To ensure safe driving, adjust the volume to a safe and comfortable level.
- Improper fuses can cause damage or fire. When you need to change the fuse, consult a professional.
- Use only the supplied mounting hardware for a safe and secure installation.
- To avoid short circuit, do not expose the apparatus, remote control or remote control batteries to rain or water.
- Never insert objects into the ventilation slots or other openings on the apparatus.
- Clean the apparatus and frame with a soft, damp cloth. Never use substances such as alcohol, chemicals or household cleaners on the apparatus.
- Never place any objects other than discs into the apparatus.
- Never use solvents such as benzene, thinner, cleaners available commercially, or anti-static sprays intended for discs.
- Visible and invisible laser radiation when open. Avoid exposure to beam.
- Risk of damage to the apparatus screen! Never touch, push, rub or strike the screen with any object.



Caution

- Use of controls or adjustments or performance of procedures other than herein may result in hazardous radiation exposure or other unsafe operation.

Notice



Be responsible
Respect copyrights

The making of unauthorized copies of copy-protected material, including computer programs, files, broadcasts and sound recordings, may be an infringement of copyrights and constitute a criminal offence. This equipment should not be used for such purposes.

This apparatus includes these labels:



Class II equipment symbol



This symbol indicates that the apparatus has a double insulation system.

Recycling



Your product is designed and manufactured with high quality materials and components, which can be recycled and reused. When you see the crossed-out wheel bin symbol attached to a product, it means the product is covered by the European Directive 2002/96/EC:



Never dispose of your product with other household waste. Please inform yourself about the local rules on the separate collection of electrical and electronic products. The correct disposal of your old product helps prevent potentially negative consequences on the environment and human health.

Your product contains batteries covered by the European Directive 2006/66/EC, which cannot be disposed of with normal household waste.

Please inform yourself about the local rules on separate collection of batteries. The correct disposal of batteries helps prevent potentially negative consequences on the environment and human health.



This product complies with the radio interference requirements of the European Community.

Environmental information

All unnecessary packaging has been omitted. We have tried to make the packaging easy to separate into three materials: cardboard (box), polystyrene foam (buffer) and polyethylene (bags, protective foam sheet.)

Your system consists of materials which can be recycled and reused if disassembled by a specialized company. Please observe the local regulations regarding the disposal of packaging materials, exhausted batteries and old equipment.

Any changes or modifications made to this device that are not expressly approved by Philips Consumer Lifestyle may void the user's authority to operate the equipment.

2009 © Koninklijke Philips Electronics N.V. All rights reserved.

Specifications are subject to change without notice. Trademarks are the property of Koninklijke Philips Electronics N.V. or their respective owners. Philips reserves the right to change products at any time without being obliged to adjust earlier supplies accordingly.

2 Your car audio system

Congratulations on your purchase, and welcome to Philips! To fully benefit from the support that Philips offers, register your product at www.philips.com/welcome.

Introduction

With the in-car audio system, you can enjoy your drive while you listen to:

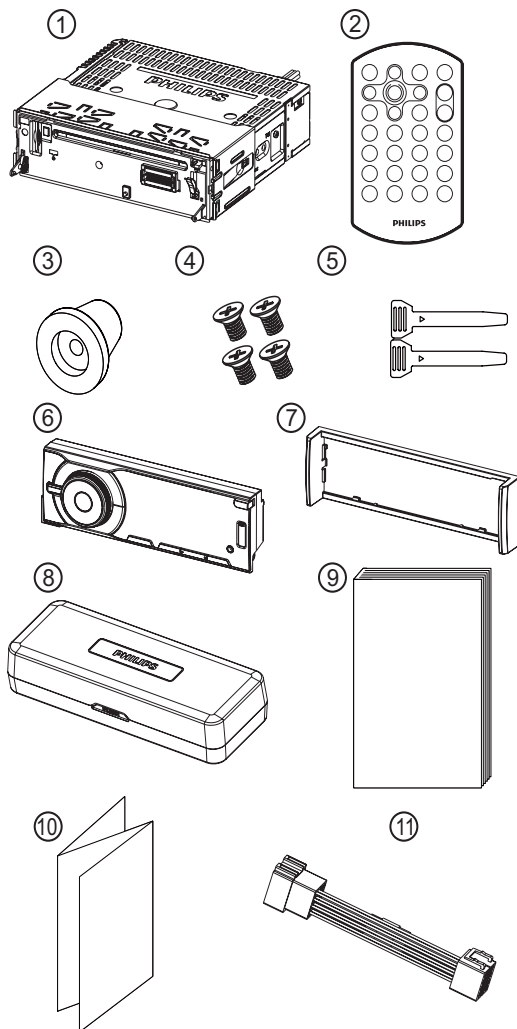
- FM or AM (MW) radio
- Audio from CD or MP3 disc
- Audio from your mobile phone
- Audio from a USB drive
- Audio from a SD/SDHC card
- Audio from external devices

Besides, you can make a call, answer and hang up a call on the audio system.

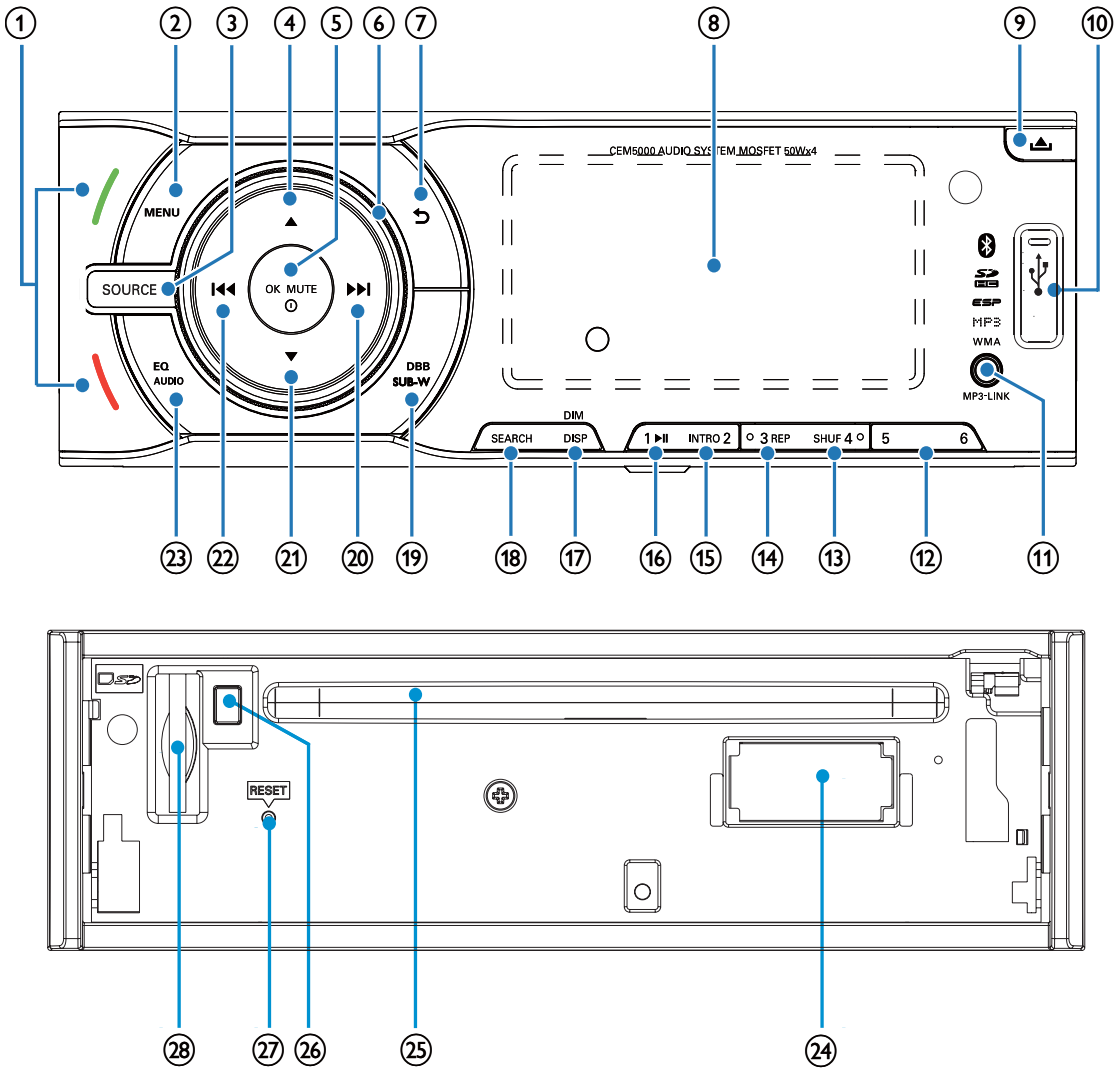
What's in the box

Check and identify the contents of your package:

- ① Car audio system
- ② Remote control
- ③ Rubber cushion
- ④ Screw (4 pieces)
- ⑤ Disassembly tool (2 pieces)
- ⑥ Front panel
- ⑦ Trim plate
- ⑧ Carrying case for front panel
- ⑨ User manual
- ⑩ Quick start guide
- ⑪ Standard connector









Overview of the main unit

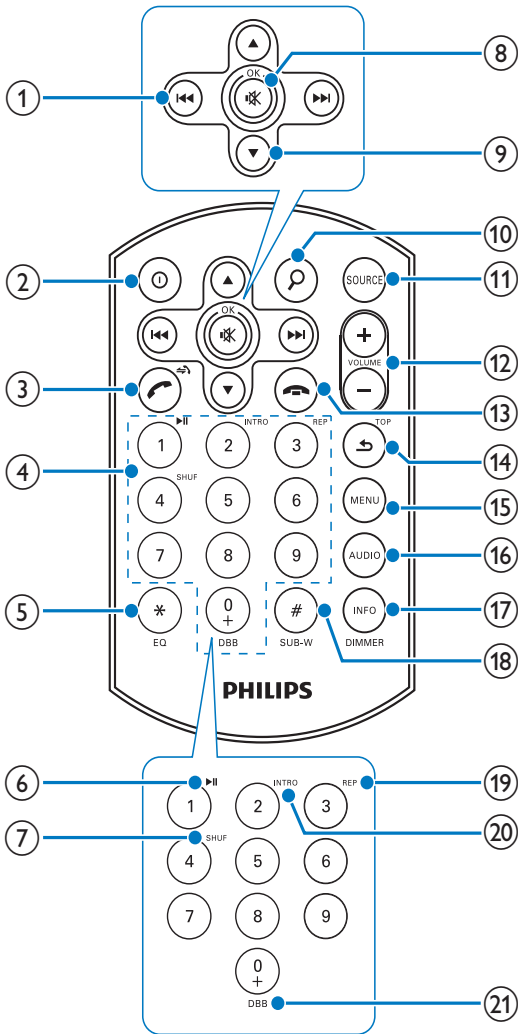


- ① **Phone call button with LED indicator**
 - Green button: press to answer phone; Press and hold to transfer call.
 - Red button: terminate call.
- ② **MENU**
 - Access system menu.
- ③ **SOURCE**
 - Select audio source.

- ④ **▲**
 - Select tuner band.
 - Select MP3/WMA folder.
 - Scroll up menu.
- ⑤ **○/OK/MUTE**
 - Turn the unit on or off.
 - Confirm selection.
 - Mute or restore the volume.

- ⑥ **Rotary encoder knob**
 - Adjust volume.
 - Adjust system settings under different menus.
- ⑦ 
 - Return to previous menu.
- ⑧ **Display panel**
- ⑨ 
 - Unlock the panel
- ⑩ **USB socket**
- ⑪ **MP3 LINK**
 - External device socket
- ⑫ **5/6**
 - Select preset station 5/6.
 - Select preset 5th/6th speed dial number.
- ⑬ **SHUF, 4**
 - Set shuffle play mode.
 - Select preset station 4.
 - Select preset 4th speed dial number.
- ⑭ **3, REP**
 - Set repeat play mode.
 - Select preset station 3.
 - Select preset 3rd speed dial number.
- ⑮ **INTRO, 2**
 - Turn intro play on or off.
 - Select preset station 2.
 - Select preset 2nd speed dial number.
- ⑯ **1, ►||**
 - Start play
 - Pause or resume play.
 - Select preset station 1.
 - Select preset 1st speed dial number.
- ⑰ **DISP/DIM**
 - Display radio frequency, clock and radio program type (if available).
 - Display track, elapsed time, artist, album, title, folder, file and clock.
 - Press and hold to access illuminate dimmer settings.
- ⑱ **SEARCH**
 - Store radio stations automatically.
 - Search MP3/WMA
- ⑲ **DBB/SUB-W**
 - Turn on or off Dynamic Bass Boost (DBB) sound.
 - Press and hold to turn on or off subwoofer.
- ⑳ 
 - Tune to a radio station
 - Skip track.
 - Fast forward playback.
- ㉑ 
 - Select tuner band.
 - Scroll down menu.
 - Select MP3/WMA folder.
- ㉒ 
 - Tune to a radio station
 - Skip track.
 - Fast backward playback.
- ㉓ **EQ/Audio**
 - Press to select equalizer (EQ) setting.
 - Press and hold to access audio setting menu.
- ㉔ **Panel power connection**
- ㉕ **Disc slot**
- ㉖ 
 - Eject disc.
- ㉗ **RESET**
 - Restore default settings
- ㉘ **SD card slot**

Overview of the remote control



① **⏮/⏭**

- Tune to a radio station
- Skip track.
- Fast backward/forward playback

② **⏻**

- Turn the unit on or off.

③ **☎/↔**

- Answer phone.
- Dial number.
- Transfer phone call.

④ **Numeric pad**

- Enter phone number.

⑤ ***/EQ**

- Input symbol *.
- Select EQ setting.

⑥ **1,▶||**

- Start play.
- Pause or resume play.
- Select preset station 1.
- Select preset 1st quick dial number.

⑦ **SHUF, 4**

- Set shuffle play mode.
- Select preset station 4.
- Select preset 4th quick dial number.

⑧ **⏸/OK**

- Mute or restore volume.
- Confirm selection.

⑨ **▲/▼**

- Select tuner band.
- Scroll up/down menu.
- Select MP3/WMA folder.

⑩ **🔍**

- Store radio stations automatically.
- Brows files or folders.

⑪ **SOURCE**

- Select audio source.

⑫ **VOLUME +/-**

- Adjust volume.

⑬ **📞**

- Terminate call

⑭ **↶/TOP**

- Return to previous/top menu.

⑮ **MENU**

- Access system menu.

⑯ **AUDIO**

- Access audio setting menu.

⑰ **INFO**

- Display playback information.

⑱ #/SUB-W

- Input symbol #. Turn on or off subwoofer.

⑲ INTRO, 2

- Turn intro play on or off.
- Select preset station 2.
- Enter phone number.
- Select preset 2nd quick dial number.

⑳ 3, REP

- Set repeat play mode.
- Select preset station 3.
- Enter phone number.
- Select preset 3rd quick dial number.

㉑ 0+/DBB

- Enter phone number.
- Turn on or off Dynamic Bass Boost (DBB) sound.
- Input symbol +.

3 Get started



Caution

- Use the controls only as stated in this user manual.

Always follow the instructions in this chapter in sequence.

If you contact Philips, you will be asked for the model and serial number of your apparatus. The model number and serial number are on the bottom of your apparatus. Write the numbers here:

Model No. _____

Serial No. _____

Install the car audio

These instructions are for a typical installation. However, if your car has different requirements, make the corresponding adjustment. If you have any questions regarding installation kits, consult your Philips car audio dealer.



Caution

- This unit is designed for negative ground (earth) 12 V DC operation only.
- Always install this unit in the car dashboard. Other locations can be dangerous as the rear of the unit heats up during use.
- To avoid short-circuit: before you connect, ensure that the ignition is off.
- Ensure that you connect the yellow and red power supply leads after all other leads are connected.
- Ensure that all loose leads are insulated with electrical tape.
- Ensure that the leads do not get caught under screws or in parts that will move (e.g. seat rail).
- Ensure that all ground (earth) leads are run to a common ground (earth) point.
- Use only the supplied mounting hardware for a safe and secure installation.
- Improper fuses can cause damage or fire. When you need to change the fuse, consult a professional.

Note on the power supply lead (yellow)

- When you connect other devices to this apparatus, ensure that the rating of the car circuit is higher than the total fuse value of all the connected devices.

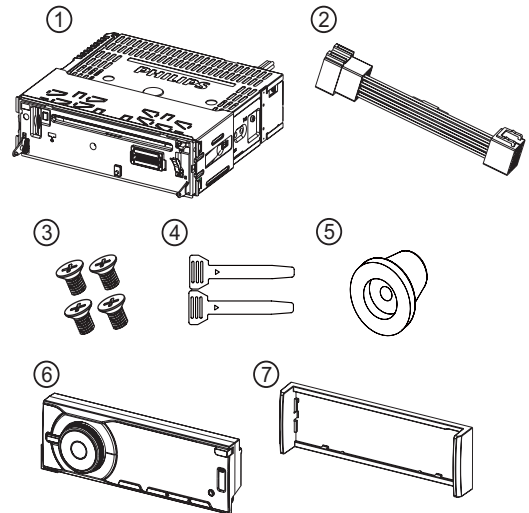
Notes on speaker connection

- Never connect speaker wires to the metal body or chassis of the car.
- Never connect speaker wires with stripes to one another.

Overview of parts

These are the supplied parts needed to connect and install this unit.

- ① In-car audio system and sleeve
- ② Standard connector
- ③ Screws (4 pieces)
- ④ Disassembly tools
- ⑤ Rubber cushion
- ⑥ Front panel
- ⑦ Trim plate

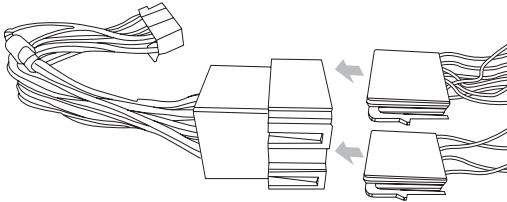


Connect wires: ISO connectors

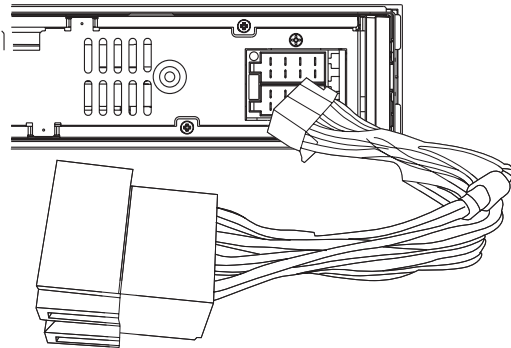
! Caution

- Ensure that all loose leads are insulated with electrical tape.

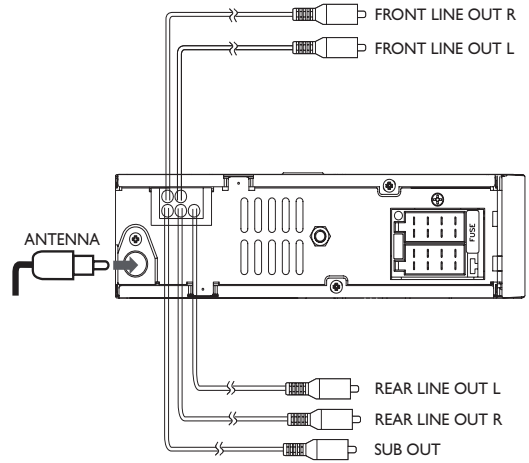
- 1 Pull out the ISO connectors from the car dashboard and connect them to the bigger end of the supplied standard connector.



- 2 Connect the other end of the supplied standard connector to the unit.



- 3 Do the other connections, if applicable.

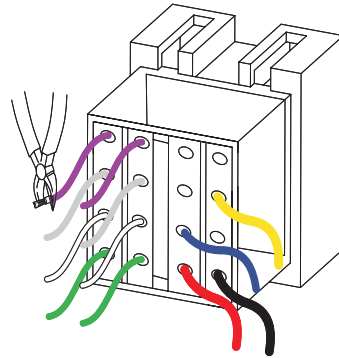


Connect wires: without ISO connectors

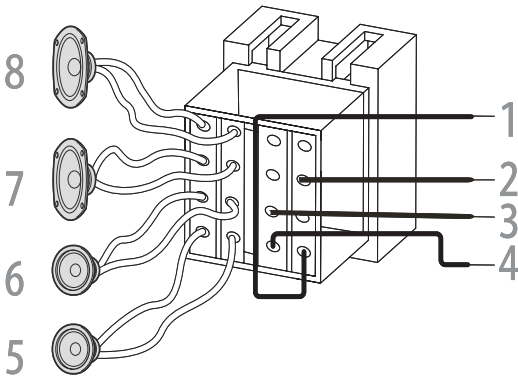
! Caution

- Ensure that all loose leads are insulated with electrical tape.

- 1 Cut off the bigger end of the supplied standard connector.



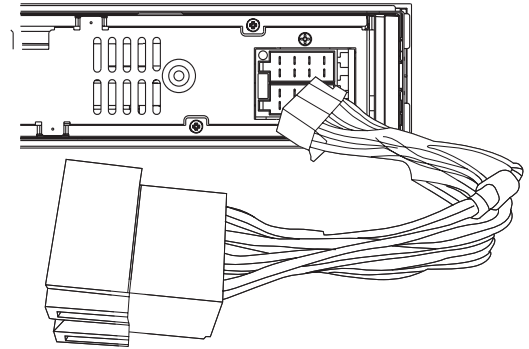
- 2 Check the car's wiring carefully, then connect them to the standard connector.



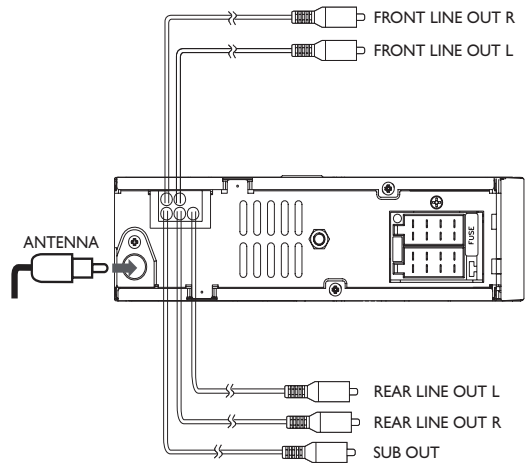
Connector	Connect to
1 Black wire	A metal surface of the car First connect the black ground (earth) lead, then connect the yellow and red power supply leads.
2 Yellow wire	The +12V car battery which is live at all times.
3 Blue wire	Motor/electric antenna relay control lead/Amplifier relay control lead
4 Red wire	The +12V power terminal which is live in the accessory (ACC) position of the ignition switch If there is no accessory position, connect to the +12V car battery terminal that is always live. Be sure to connect the black ground (earth) lead to a metal surface of the car first.
5 Green and green/black wires	Left speaker (Rear)
6 White and white/black wires	Left speaker (Front)
7 Gray and gray/black wires	Right speaker (Front)

8 Purple and purple/black wires **Right speaker (Rear)**

3 Connect the supplied standard connector to the unit.



4 Do the other connections, if applicable.

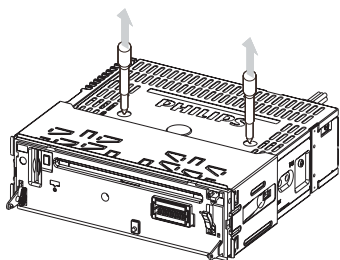


Mount in the dashboard

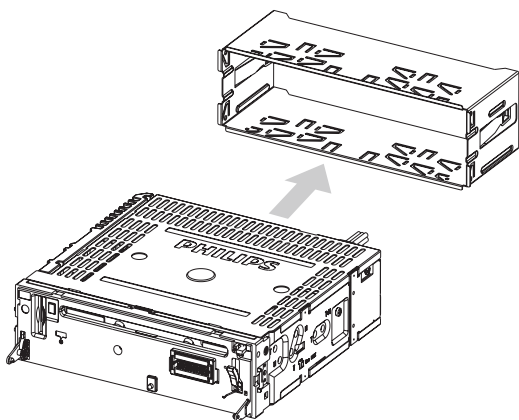
- 1 If the car does not have an on-board drive or navigation computer, disconnect the negative terminal of the car battery.
 - If you disconnect the car battery in a car that has an on-board drive or navigation computer, the computer may lose its memory.

- If the car battery is not disconnected, to avoid short-circuit, ensure that bare wires do not touch each other.

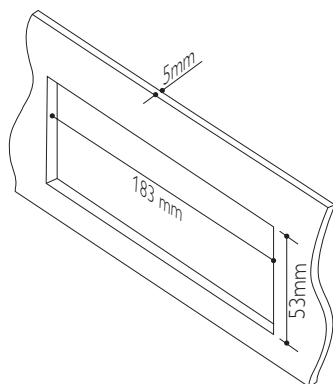
2 Remove the two screws on the top of the unit.



3 Remove the mounting sleeve with the supplied disassembly tools.



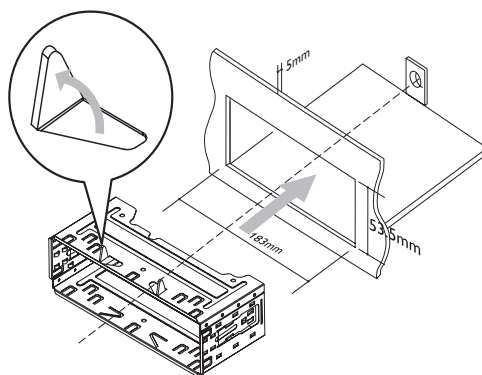
4 Ensure that car dashboard opening is within these measurements:



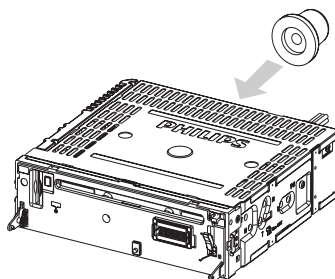
5 Install the sleeve into the dashboard and bend the tabs outward to fix the sleeve.

Note

- Skip this step if the unit is not fixed by sleeve but by supplied screws.



6 Place the supplied rubber cushion over the end of the mounting bolt.



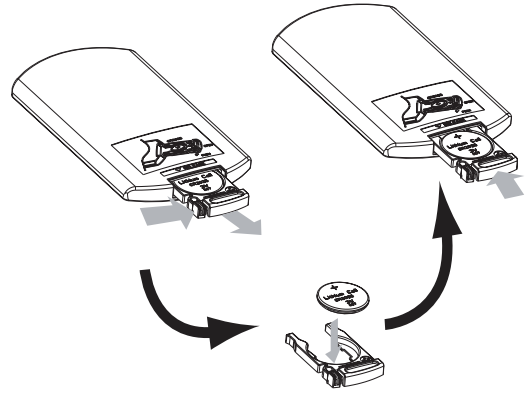
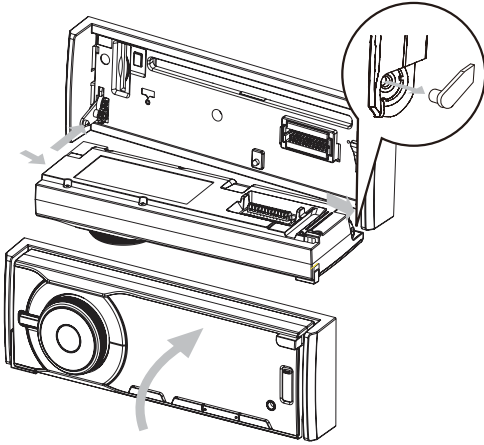
7 Slide the unit into the dashboard until you hear a click sound.

8 Reconnect the negative terminal of the car battery.

Attach the front panel

- 1** Attach the trim plate to the main unit.
- 2** Insert the right side of the panel in the chassis until it is correctly engaged.
- 3** Push the left side of the panel and point the left hole at the left pillar.
- 4** Release the panel to engage the left side.

- 5 Push the front side of the panel backward to the main unit a “click” is heard.



Install remote control battery



Caution

- Risk of explosion! Keep batteries away from heat, sunshine or fire. Never discard batteries in fire.
- Risk of decreased battery life! Never mix different brands or types of batteries.
- Risk of product damage! When the remote control is not used for long periods, remove the batteries.
- Perchlorate Material - special handling may apply. See www.dtsc.ca.gov/hazardouswaste/perchlorate.

For first-time use:

- 1 Remove the protective tab to activate the remote control battery.

To replace the remote control battery:

- 1 Open the battery compartment.
- 2 Insert 1 CR2025 battery with correct polarity (+/-) as indicated.
- 3 Close the battery compartment.

Turn on

- 1 Press **⏻** to turn on the unit.
 - To turn off the unit, press **⏻** for 3 seconds.

Set clock

- 1 Press **MENU** repeatedly until **[TIME FORMAT]** (time format) displays.
- 2 Use rotary encoder knob to toggle the settings:
 - **[TIME FORMAT 12H]**
 - **[TIME FORMAT 24H]**
- 3 Press **▲** or **▼** repeatedly until **[CLOCK SET]** (clock set) displays.
 - ↳ Hour digits blinks
- 4 Set hour with rotary encoder knob.
- 5 Press **OK/MUTE** to confirm.
 - ↳ Minute digits blinks
- 6 Set minute with rotary encoder knob.
- 7 Press **↵** to confirm clock set and exit the menu.

4 Listen to radio

Tune to a radio station

- 1 Press **SOURCE** repeatedly to select **[Radio]**.
- 2 Press **▲** or **▼** to select band: **[FM1]**, **[FM2]**, **[FM3]**, **[AM1]**, or **[AM2]**.
- 3 Press **◀◀** or **▶▶** to tune to a radio station manually.
↳ The radio station is broadcast.

Select tuner area

You can select the suitable country area of the radio.

- 1 Under Radio mode, press **MENU** repeatedly to select **[AREA]** (area).
- 2 Rotate encoder knob to select:
 - **[USA]**(United states)
 - **[LATIN]**(Latin America)
 - **[EUROPE]**(Western Europe)
 - **[RUSSIA]**(Russia)

Select tuner sensitivity

You can adjust the tuner sensitivity if you want to receive more radio stations or only stations with strong signal.

- 1 Press **MENU** repeatedly to select **[LOCAL SEEK]** (local seek).
- 2 Rotate encoder knob to select a setting:
 - **[LOCAL SEEK ON]**(local seek on): Only stations with strong signal can be broadcast.
 - **[LOCAL SEEK OFF]**(local seek off): Stations with strong and weak signals can be broadcast.

Store radio stations in memory

You can store up to 6 stations in each band.

Store stations automatically

- 1 Press **SEARCH** on the main unit.
↳ The six strongest stations of the selected band are saved in preset channels 1-6 automatically.

Store stations manually

- 1 Tune to a station that you want to store.
- 2 Press one of the numbered buttons **1** to **6** for 3 seconds.
↳ The station is saved in the selected channel.

Tune to a preset station

- 1 Press **▲** or **▼** to select band.
- 2 Press the number button **1** to **6** to select the preset station.

Play with RDS

The RDS (Radio Data System) function operates only in areas with FM stations broadcasting RDS signals. If you tune to an RDS station, an RDS icon and information about the presenter, station or program is displayed.

Turn on RDS

Note

- To adjust the RDS function must be under Radio playback mode.

- 1 Press **MENU** for 3 seconds.
- 2 Rotate encoder knob to select **[RDS ON]**:
 - To turn off the RDS function, repeat steps above and choose **[RDS OFF]**.

Select program type

Before tuning to RDS stations, you can select program type and let the unit search only for programs of the selected category.

- 1 Press **MENU** until **[PTY RDS]** displays.
- 2 Press **OK/MUTE/⊕** to confirm.
- 3 Rotate encoder knob to select a type, then press **OK/MUTE/⊕** to confirm.

Item	Program type	Description
1	NEWS	News services
2	AFFAIRS	Politics and current affairs
3	INFO	Special information programs
4	SPORT	Sports
5	EDUCATE	Education and advanced training
6	DRAMA	Radio plays and literature
7	CULTURE	Culture, religion and society
8	SCIENCE	Science
9	VARIED	Entertainment programs
10	POP M	Pop music
11	ROCK M	Rock music
12	EASY M	Light music
13	LIGHT M	Light classical music
14	CLASSICS	Classical music
15	OTHER M	Special music programs
16	WEATHER	Weather
17	FINANCE	Finance
18	CHILDREN	Children's programs
19	SOCIAL	Social Affairs
20	RELIGION	Religion
21	PHONE IN	Phone In
22	TRAVEL	Travel

23	LEISURE	Leisure
24	JAZZ	Jazz Music
25	COUNTRY	Country Music
26	NATION M	National Music
27	OLDIES	Oldies Music
28	FOLK M	Folk Music
29	DOCUMENT	Documentary
30	TEST	Alarm Test
31	ALARM	Alarm

Select alternate frequencies

If the radio signal come from the current station is poor, you can turn on the AF (Alternate Frequency) function to let the unit searches for another station with stronger signal but with the same program identification as the current station automatically.

- 1 Press **MENU** until **[AF]** displays.
- 2 Rotate encoder knob to select a setting.
 - **[AF ON]**: Turn on the AF mode.
 - **[AF OFF]**: Turn off the AF mode.

Receive traffic announcement

If you do not want to miss traffic announcement during enjoying music, you can turn on the TA (Traffic Announcement) function.

- 1 Press **MENU** until **[TA]** displays.
- 2 Rotate encoder knob to select a setting:
 - **[TA ON]**: When there is traffic announcement, the unit switches to the tuner mode (regardless of the current mode) and begins to broadcast the announcement on traffic conditions. When the traffic announcement is over, it returns to the previous mode.
 - **[TA OFF]**: Traffic announcement does not cut in.

5 Use bluetooth devices

With this car audio system, you can listen to audio files from a player or make a call if bluetooth connection is available on your phone or player.

Pairing bluetooth devices

You can pair your bluetooth device with the unit as follows:

Note

- For pairing operation, make sure to switch on the [BT MODE] on the unit.

- 1 Turn on bluetooth function on the device.
- 2 Setup bluetooth function on your device.
- 3 Select "Philips" in the pairing list.
- 4 Enter default password "0000".
 - ↳ [Paired Ok!] displays on the panel if pairing is successful.
 - ↳ The paired device connect to the car audio system automatically.

To disconnect the bluetooth

- 1 Press MENU.
 - ↳ [BT DIS-CONNECT] displays.
- 2 Press OK/MUTE.
 - ↳ [Dis Connect Ok!] displays if disconnection is successful.

To re-connect the bluetooth

- 1 Press MENU.
 - ↳ [BT RE-CONNECT] displays.
- 2 Press OK/MUTE.
 - ↳ [Waiting] displays.
 - ↳ [Connect Ok!] displays if re-connection is successful.

- ↳ [Connect Fail!] displays if re-connection is failed.

Make a call

Note

- To make an outgoing call on this unit, the bluetooth connection between the unit and the phone must be active.

You can dial number through your mobile phone or the remote control.

To make call through the remote control.

- 1 Press **⏏** until [NUM DIAL] displays.
- 2 Press 0-9 to enter phone number.
 - Press **⏏** to delete entered numbers.
- 3 Press **⏏** to dial.

To redial number:

- 1 Press **⏏**.
- 2 Press **▲** or **▼** to choose [REDIAL].
- 3 Press **⏏** again.
 - ↳ [Calling] displays and the unit starts dialing the number dialed last time.

To quick dial preset number:

- 1 Press **⏏**.
- 2 Press **▲** or **▼** to choose [QUICK DIAL].
- 3 Press **1** to **6** numeric keys to choose preset numbers.
 - ↳ Preset phone number displays.
- 4 Press **⏏** again.
 - ↳ [Calling] displays and the unit starts dialing the selected number.

Note

- If no preset quick dial number is stored, [Empty] displays.

Preset quick dial numbers

You can preset and store up to 6 quick dial numbers.

- 1 Press **☎**.
- 2 Enter the desired dial number directly.
- 3 After completed the number input, within 20 seconds time out, press and hold the **1** to **6** numeric keys more than 3 seconds to store the entered phone number.
 - ↳ The set numeric icon blinks.
 - ↳ **[Store OK!]** displays.

- To track up/down, press **⏮/⏭**.

Call transfer

You can transfer voice from loudspeaker to mobile phones during call.

- 1 Press and hold **☎** until **[MUTE]** displays.
 - ↳ Voice transfers from loudspeaker to mobile phone.

Terminate call

- 1 Press **☎** to terminate call.

Play audio files from bluetooth devices

You can listen to audio from a bluetooth device and control playback with the unit.

- 1 Press **SOURCE** repeatedly to select **[BT Audio]**.
 - To start play, press **1, ▶||**.

Note

- Some mobile phone supports auto playback, no need to start play manually.
- Some mobile phone needs to open the Media Players for audio files wireless playback.

- To pause, press **1, ▶||** again.

6 Play audio files

Note

- Ensure that the disc or device contains playable files.

Play a disc

Note

- You cannot play CDs encoded with copyright protection technologies.

You can play commercially available audio CDs and these discs:

- CD-Recordables (CD-R)
- CD-Re-writables (CD-RW)
- MP3 CDs
- WMA CDs

Note

- Ensure that the disc contains playable content.

- 1 Press **▲** on the front panel to release the panel.
 - 2 Insert a CD with the printed side facing up.
 - 3 Close the panel.
 - ↳ Play starts automatically.
- To pause CD play, press **▶||**.
 - To resume CD play, press **▶||** again.

To remove the CD

- 1 Press **▲**.
- 2 Press **▲** beside the disc slot.

Tip

- If the disc is blocked in the disc compartment, press and hold **▲** until the disc comes out.

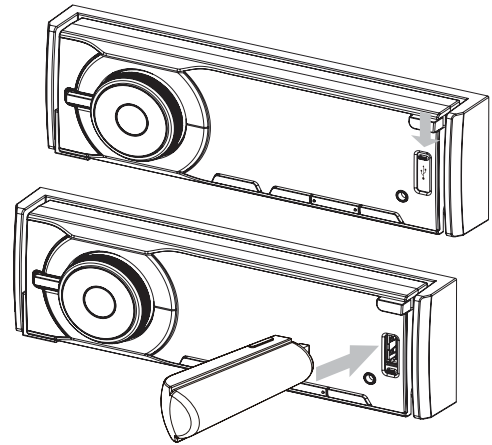
Play from USB/SD/SDHC device

Note

- Ensure that the USB or SD/SDHC device contains playable music.

Insert the USB device

- 1 Open the cover marked **↔** on the front panel.



- 2 Insert the USB device into the USB socket.
 - ↳ The unit starts playing from the USB device automatically.

Remove the USB device

- 1 Press and hold **⊕** to turn off the unit.
- 2 Remove the USB device.

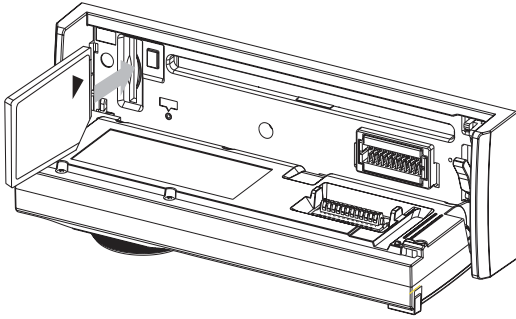
Insert a card

Note

- This unit supports SD and SDHC cards.

- 1 Press **▲** to release the panel.

- 2 Insert the card into the card slot.
↳ The unit starts playing from the card automatically.



- 3 Press **OK/MUTE** to access into the folder.
 - Or press and hold **OK/MUTE** to play the first file in the folder.
- 4 Rotate encoder knob to select a file in the folder
- 5 Press **OK/MUTE** to play the selected file.



Tip

- To go back to upper level of a folder, press **↶**.

Remove the card

- 1 Press **⏻** to turn off the unit.
- 2 Press the card until you hear a click sound.
↳ The card is now disengaged.
- 3 Remove the card.

Control play

- To select a folder, press **▲** or **▼**.
- To skip to the previous/next track, press **⏮** or **⏭**.
- To search backward/forward rapidly within the current track, press **⏮** or **⏭** for 3 seconds.
- To pause, press **1▶||**.
- To resume play, press **1▶||** again.

Search for an MP3/WMA track

- 1 Press **SEARCH**.
↳ **[QBrowse]** displays.
- 2 Rotate encoder knob to navigate through all folders on the disc/USB/SD card.
↳ Folder names display.

View play information

- 1 During play MP3/WMA files, press **DISP/DIM** repeatedly to view:
 - **[FOLDER]** (folder)
 - **[FILE]** (file)
 - **[ALBUM]** (album)
 - **[TITLE]** (title)
 - **[ARTIST]** (artist)

Intro play

You can play the first 10 seconds of each track.

- 1 During play, press **INTRO, 2** to select:
 - **[INTRO On]**: After the first 10 seconds of each track have been played, play stops.
 - **[INTRO Off]**: Cancel intro play and start normal play.

Shuffle play

You can play the tracks in random order.

- 1 During play, press **SHUF, 4** to select:
 - **[SHUFFLE On]** (shuffle on): start shuffle play for all tracks.
 - **[SHUFFLE Off]** (shuffle off): cancel shuffle play.

Repeat play

During play, press **3, REP** repeatedly to select:

- **[REPEAT B]**: play the current track repeatedly.
- **[REPEAT F]**: play all tracks in the current folder repeatedly.
- **[REPEAT ALL]**: play all tracks repeatedly

Connect external sound source

- 1** Connect the external audio device to **MP3 LINK** socket with a 3.5 mm cable.
- 2** Press **SOURCE** repeatedly until **[MP3 Link]** displays.
- 3** Operate the external device (refer to the instructions supplied with the external device).

7 Adjust sound

Adjust volume

- Press **VOLUME +/-** on the remote control.
- Or rotate encoder knob on the front panel.

Mute

You can turn off the sound of your audio.

- 1 During play, press **OK/MUTE**.
 - To turn the sound back on, press **OK/MUTE** again.

Turn DBB and subwoofer on/off

- Press **DBB/SUB-W** repeatedly to toggle between the options below:
 - ↳ **[DBB ON]** :The Dynamic Bass Boost (DBB) function is on.
 - ↳ **[DBB OFF]** :The DBB function is off.
- Press and hold **DBB/SUB-W** to access the subwoofer settings:
 - ↳ **[SUBWOOFER On]**: subwoofer function is on.
 - ↳ **[SUBWOOFER Off]**: subwoofer function is off.

Select preset equalizer

- 1 Press **EQ/Audio**.
 - ↳ The current Equalizer setting is displayed.
- 2 Press **EQ/Audio** again repeatedly to select a preset EQ:
 - **[FLAT]** (flat)
 - **[POP]** (pop)

- **[USER]** (user)
- **[TECHNO]** (techno)
- **[ROCK]** (rock)
- **[CLASSIC]** (classic)
- **[JAZZ]** (jazz)
- **[OPTIMAL]** (optimal)

Other sound settings

You can also edit user preset EQ.

- 1 Press **EQ** repeatedly on the remote control to select the items to be adjusted:
 - **[BASS LEVEL]** (bass level) range: -7 to +7.
 - **[BASS CFQ]** (bass center frequency) range: 60H, 80H, 100H, 200H.
 - **[MIDDLE LEVEL]** (middle level) range: -7 to +7.
 - **[MIDDLE CFQ]** (middle center frequency) range: 1.0K, 1.5K, 2.5K, 500H.
 - **[TREBLE LEVEL]** (treble level) range: -7 to +7.
 - **[TREBLE CFQ]** (treble center frequency) range: 10K, 12.5K, 15K, 17.5K.
 - **[BALANCE]** (balance) range: 12L to 12R. (L = left speaker, R = right speaker)
 - **[FADER]** (fader) range: 12R to 12F. (R = rear speaker, F = front speaker)
 - **[SUBWOOFER LEVEL]** (subwoofer level) range: 0 to 12
 - **[SUBWOOFER LPF]** (subwoofer low pass filter) range: 80, 120, 160
 - **[RESUME]** (resume): Resume the preset EQ value to factory default value.
- 2 Rotate encoder knob to adjust value.

8 Adjust system settings

BT mode

- 1 Press **MENU** repeatedly until **[BT MODE]** (bluetooth mode) displays.
- 2 Rotate encoder knob to toggle between the settings
 - **[BT MODE On]**: Turn on the bluetooth.
 - **[BT MODE Off]**: Turn off the bluetooth.

Language

You can select the desire languages.

- 1 Press **MENU** repeatedly until **[LANGUAGES]** (languages) displays.
- 2 Rotate encoder knob to select a language:
 - **[PORTUGUESE]**
 - **[ENGLISH]**
 - **[SPANISH]**

LCD contrast

You can adjust the contrast of the display panel.

- 1 Press **MENU** repeatedly until **[LCD CONTRAST]** (LCD contrast) displays.
- 2 Rotate encoder knob to adjust the value.

Dimmer

- 1 Press **MENU** repeatedly until **[DIMMER]** (dimmer) displays.
- 2 Rotate encoder knob to toggle between the settings
 - **[DIMMER Hi]** (dimmer hi)
 - **[DIMMER Lo]** (dimmer low)

Blackout

You can set the screen to turn off automatically after the unit is idle for 10 or 20 seconds.

- 1 Press **MENU** repeatedly until **[BLACK OUT]** (black out) displays.
- 2 Rotate encoder knob to select a setting:
 - **[BLKOUT 10S]**: Turn off the screen automatically 10 seconds after last operation.
 - **[BLKOUT 20S]**: Turn off the screen automatically 20 seconds after last operation.
 - **[BLKOUT Off]**: Never turn off the screen.

Beep

Each time you press a button, the unit beeps.

You can turn off/on this beep sound.

- 1 Press **MENU** repeatedly until **[BEEP]** displays.
- 2 Rotate encoder knob to toggle between the settings:
 - **[BEEP ON]**: Turn on the beep sound.
 - **[BEEP OFF]**: Turn off the beep sound.

Demo

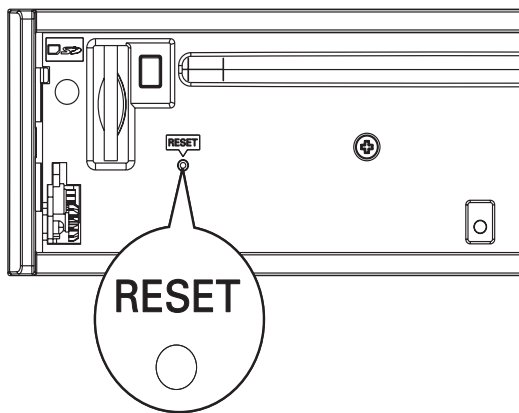
With demo mode on, when the unit is idle for more than 10 seconds, information related to the unit displays.

- 1 Press **MENU** repeatedly until **[DEMO]** (demonstration) is displayed.
- 2 Rotate encoder knob to select a setting:
 - **[DEMO ON]**: Turn on the demo mode.
 - **[DEMO OFF]**: Turn off the demo mode.

Reset

You can reset the unit to its default setting.


- 1 Detach the front panel.
- 2 Press the reset button by using a ball-point pen or a similar tool.
 - ↳ Preset adjustments such as preset channels and sound adjustments are erased.

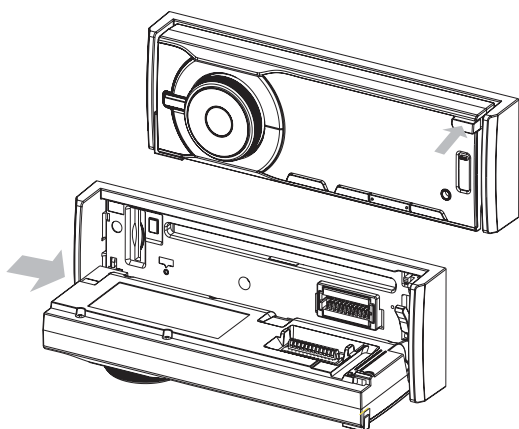


9 Additional information

Detach the front panel

You can detach the front panel to deter theft.

- 1 Press  to release the panel.
- 2 Press the left side of the panel rightward.

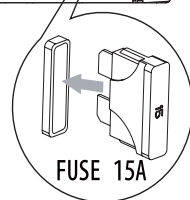
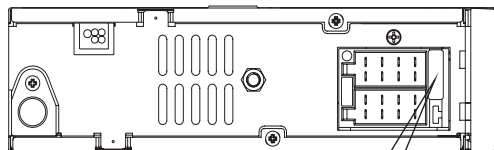


- 3 Pull the panel towards you to detach it from the chassis.
- 4 Store the panel in the supplied carry case to protect it from dirt or damage.

Replace fuse

If the fuse is damaged,

- 1 Check the electric connection.
- 2 Buy a fuse that matches the voltage of the damaged fuse.
- 3 Replace the fuse.



Note

- If the new fuse gets damaged again, there may be an internal malfunction. Consult your Philips dealer.

Remove the unit

You can remove the unit from the dashboard.

- 1 Detach the front panel.
- 2 Pull out the unit by using the removal keys.

10 Product information

Note

- Product information is subject to change without prior notice.

Power supply	12 V DC (10.8 V - 15.8 V), negative ground
Fuse	15 A
Suitable speaker impedance	4 - 8 Ω
Maximum power output	50 W x 4 channels
Continuous power output	24 W x 4 channels (4 Ω 10% T.H.D.)
Pre-Amp output voltage	2.0 V (USB play mode; 1 kHz, 0 dB, 10 k Ω load)
Subwoofer output voltage	2.0 V (USB play mode: 61 Hz, 0 dB, 10 k Ω load)
Aux-in level	\geq 500 mV
Dimensions (W x H x D)	188 x 58 x 212 mm
Weight	1.67 kg
Operation temperature	-20 $^{\circ}$ c -- 70 $^{\circ}$ c

Radio

Frequency range - FM	87.5 - 108.0 MHz (Europe) 87.5 - 107.9 MHz (American)
Frequency range - AM(MW)	522 - 1620 KHz (Europe) 530 - 1710 HKz (American)
Usable sensitivity - FM	8 μ V
Usable sensitivity - AM(MW)	30 μ V

Bluetooth

Output power	0 dBm (Class 2)
Frequency band	2.4000 GHz - 2.4835 GHz ISM Band
Range	3 meters (free space)
Standard	Bluetooth 2.0 specification

Compatible USB devices:

- USB flash memory (USB 2.0 or USB1.1)
- USB flash players (USB 2.0 or USB1.1)
- memory cards (SD / SDHC)

Supported formats:

- USB or memory file format: FAT16, FAT32
- MP3 bit rate (data rate): 32-320 Kbps and variable bit rate
- WMA v9 or earlier
- ISO9660, Joliet
- Maximum title number: 512 (depending on file name length)
- Maximum album number: 255
- Supported sampling frequencies: 2 kHz, 44.1kHz, 48 kHz
- Supported Bit-rates: 2~256 (kbps), variable bit rates
- Directory nesting up to a maximum of 8 levels
- Number of albums/ folders: maximum 99
- Number of tracks/titles: maximum 999
- ID3 tag v2.0 or later
- File name in Unicode UTF8 (maximum length: 128 bytes)

Unsupported formats:

- Empty albums: an empty album is an album that does not contain MP3/WMA files, and is not be shown in the display.
- Unsupported file formats are skipped. For example, Word documents (.doc) or MP3 files with extension .dlf are ignored and not played.
- AAC, WAV, PCM audio files
- DRM protected WMA files (.wav, .m4a, .m4p, .mp4, .aac)
- WMA files in Lossless format

11 Troubleshooting



Caution

- Never remove the casing of this apparatus.

To keep the warranty valid, never try to repair the system yourself.

If you encounter problems when using this apparatus, check the following points before requesting service. If the problem remains unsolved, go to the Philips web site (www.philips.com/support). When you contact Philips, ensure that your apparatus is nearby and the model number and serial number are available.

No power or no sound.

- Car engine is not on. Turn the car engine on.
- Cable is not correctly connected. Check connections.
- Fuse is burnt. Replace fuse.
- Volume is too low. Adjust volume.
- If the above solutions cannot help, press the RESET button.
- Ensure that the track played is of a compatible format.

Noise in broadcasts.

- Signals are too weak. Select other stations with stronger signals.
- Check the connection of the car antenna.
- Change broadcast from Stereo to mono.

Cannot play disc

- Ensure that the disc label is inserted with the printed side facing up.
- Wipe the disc with fibre cleaning cloth from the centre to the edge in a straight line.
- This disc may be defective. Play another disc.
- Ensure that the CD is a finalised CD/CD-R/CD-RW.
- Ensure that the CD is not encoded with copyright protection technologies.

The CD skips tracks

- Ensure that the CD is not damaged or dirty.
- Ensure that random mode is deactivated.

Disc cannot be ejected

- Press and hold ▲.

Preset stations lost.

- Battery cable is not correctly connected. Connect the battery cable to the terminal that is always live.

Display show ERR-1

- The disc, USB or SD device cannot be read in two minutes.

Display show ERR-3

- USB/SD data error.
- Disc is upside down. Ensure the printed side is facing up.

Display show ERR-5

- Communication error or component is damaged.

About Bluetooth device

Cannot pair the Bluetooth enabled device with the car audio system.

- The device does not support the profiles required for the system.
- The Bluetooth function of the device is not enabled. Refer to the user manual of the device for how to enable the function.

The audio quality is poor after connection with a Bluetooth-enabled device.

- The microphone is not correctly positioned. Adjust the position of the microphone. For example, stick the microphone onto the dashboard where close to the driver.
- The Bluetooth reception is poor. Move the device closer to the car audio system or remove any obstacle between the device and the system.

Music playback is unavailable on the system even after successful Bluetooth connection.

The device cannot be used with the system to play music.

The paired mobile phone connects and disconnects constantly.

- The Bluetooth reception is poor. Move the mobile phone closer to the car audio system or remove any obstacle between the mobile phone and the system.
- Some mobile phones may connect and disconnect constantly when you make or end calls. This does not indicate any malfunction of the system.
- For some mobile phones, the Bluetooth connection may be deactivated automatically as a power-saving feature. This does not indicate any malfunction of the system.

12 Glossary

M

MP3

A file format with a sound data compression system. MP3 is the abbreviation of Motion Picture Experts Group 1 (or MPEG-1) Audio Layer 3. With the MP3 format, one CD-R or CD-RW can contain about 10 times more data than a regular CD.

S

SD

Secure Digital. A type of memory card with a flash memory.

SDHC

Secure Digital High Capacity (SDHC) is a type of flash memory card based on the SDA 2.00 specification. The SDA 2.00 specification enables SD cards to reach higher capacities from 4GB to 32GB, and growing.

W

WMA (Windows Media Audio)

An audio format owned by Microsoft, is a part of Microsoft Windows Media technology. Includes Microsoft Digital Rights Management tools, Windows Media Video encoding technology, and Windows Media Audio encoding technology.

Validez de la garantía

Todos los productos de la línea de audio y video Philips, se registrarán por un año de garantía internacional (365 días), salvo para Chile donde los productos de las líneas CD Portable y RCR CD, los cuales se rigen por 6 meses de garantía (182 días)

Condiciones de la garantía

Esta garantía perderá su validez si:

- El defecto es causado por uso incorrecto o en desacuerdo con el manual de instrucciones
- El aparato sea modificado, violado por una persona no autorizada por Philips
- El producto esté funcionando con un suministro de energía (red eléctrica, batería, etc.) de características diferentes a las recomendadas en el manual de instrucciones
- El número de serie que identifica el producto se encuentre de forma adulterada.

Están excluidos de garantía,

- Los defectos que se generen debido al incumplimiento del manual de instrucciones del producto
- Los casos fortuitos o de la fuerza mayor, como aquellos causados por agentes de la naturaleza y accidentes, descargas eléctricas, señales de transmisión débiles.
- Los defectos que se generen debido al uso de los productos en servicios no doméstico/residencial regulares o en desacuerdo con el uso recomendado
- Daños ocasionados por fluctuaciones de voltajes, voltaje fuera de norma o por causas fuera de Philips, como cortocircuitos en los bafles o parlantes.
- En las ciudades en donde no existe el taller autorizado del servicio de Philips, los costos del transporte del aparato y/o el técnico autorizado, corren por cuenta del cliente.
- La garantía no será válida si el producto necesita modificaciones o adaptaciones para que funcione en otro país que no es aquél para el cual fue mercadeado.

El único documento válido para hacer efectiva la garantía de los productos, es la Factura o Boleta de compra del consumidor final.

Aquellos productos que hayan sido adquiridos en otros países y que no estén en el rango normal del país donde se efectuará la reparación, dicha prestación de servicio tomará mas tiempo de lo normal ya que es necesario pedir las partes/piezas al centro de producción correspondiente.

Centros de información

Líneas de atención al consumidor

Chile: 600-7445477

Colombia: 01-800-700-7445

Costa Rica: 0800-506-7445

Ecuador: 1-800-10-1045

El Salvador: 800-6024

Guatemala: 1-800-299-0007

Panamá: 800-8300

Peru: 0800-00100

Rep. Dominicana: 1-800-751-2673

Venezuela: 0800-100-4888

