

PHILIPS

Soundbar

5000 Series

TAB5306

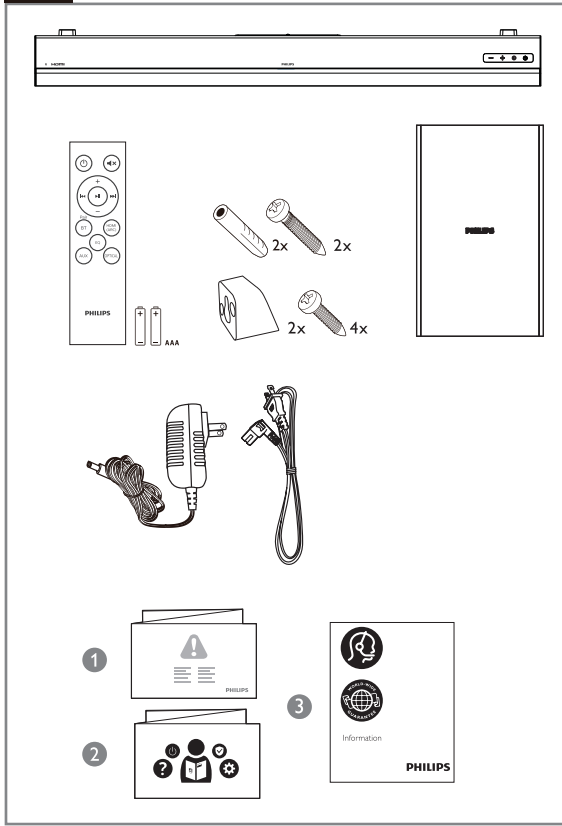


www.philips.com/welcome



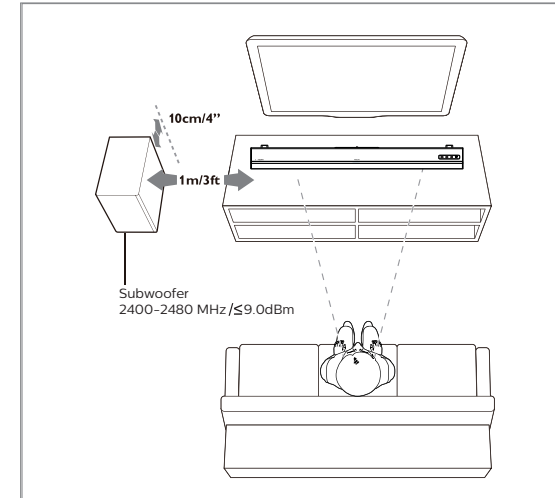
2021 © MMD Hong Kong Holding Limited. All rights reserved. Specifications are subject to change without notice.
Philips and the Philips Shield Emblem are registered trademarks of Koninklijke Philips N.V. and are used under license. This product has been manufactured by and is sold under the responsibility of MMD Hong Kong Holding Limited or one of its affiliates, and MMD Hong Kong Holding Limited is the warrantor in relation to this product.

TAB5306_37_QSG_V1.0

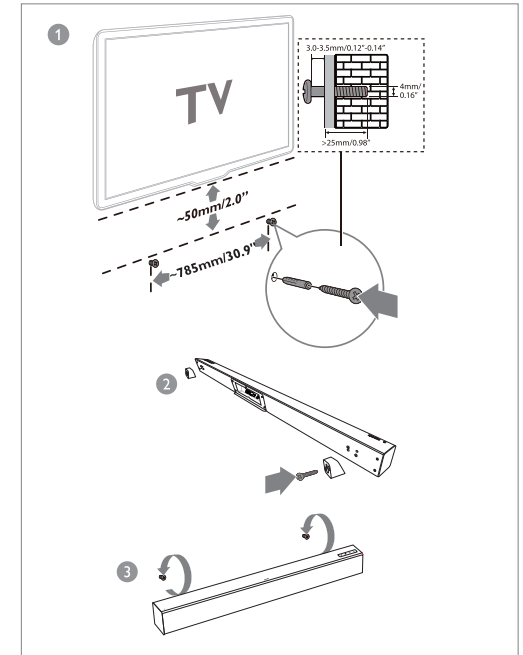


1

- EN** Position the SoundBar
Wall mount the SoundBar (optional)
- ES** Colocar la barra de sonido/Montar la barra de sonido en la pared (opcional)
- FR** Placement / Montage mural (en option) de la barre de son

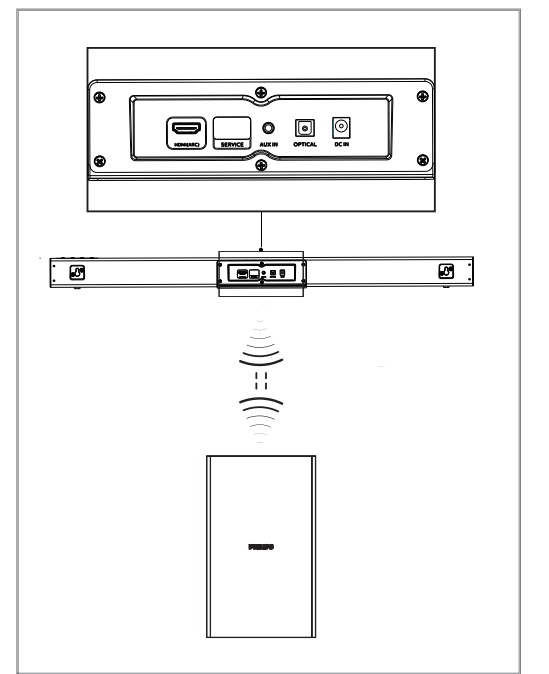


Suggested wall mounting height
You are suggested to install the TV first before wall mounting the soundbar.
With a TV preinstalled, wall mount the soundbar 50mm in distance from the bottom of the TV.
If you wall mount the soundbar first, drill 2 parallel holes (Ø 3-8 mm each according to wall type) in the wall.
The distance between the holes should be 785mm.



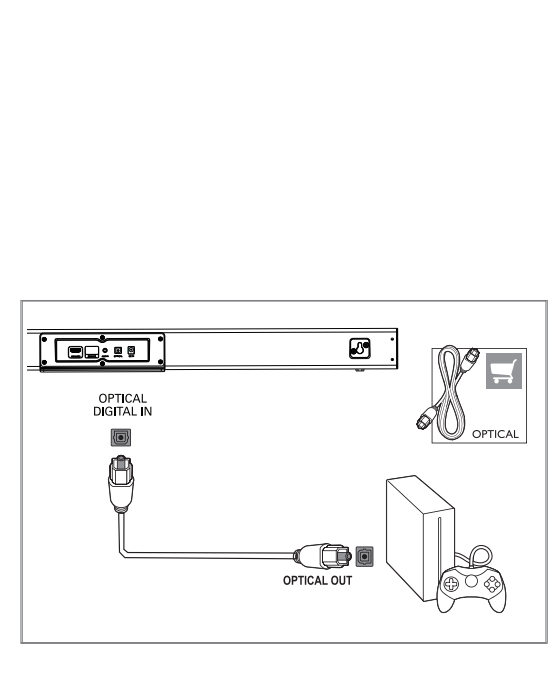
2

- EN** Connect the SoundBar
- ES** Ligue a SoundBar
- FR** Connexion de la barre de son



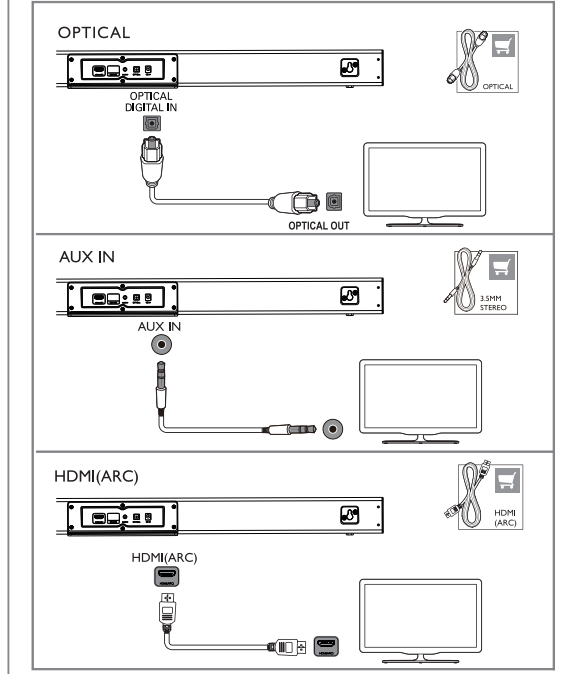
3

- EN** Enjoy audio from your devices
- ES** Disfrutar del audio de sus dispositivos
- FR** Profitez du son de vos appareils



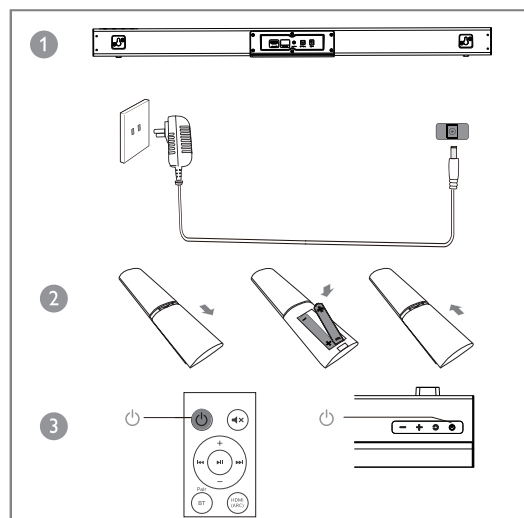
4

- EN** Hear audio from TV in one of the following ways
- ES** Escuche el audio del televisor de una de las formas siguientes
- FR** Écoutez le son du téléviseur par l'un de ces moyens



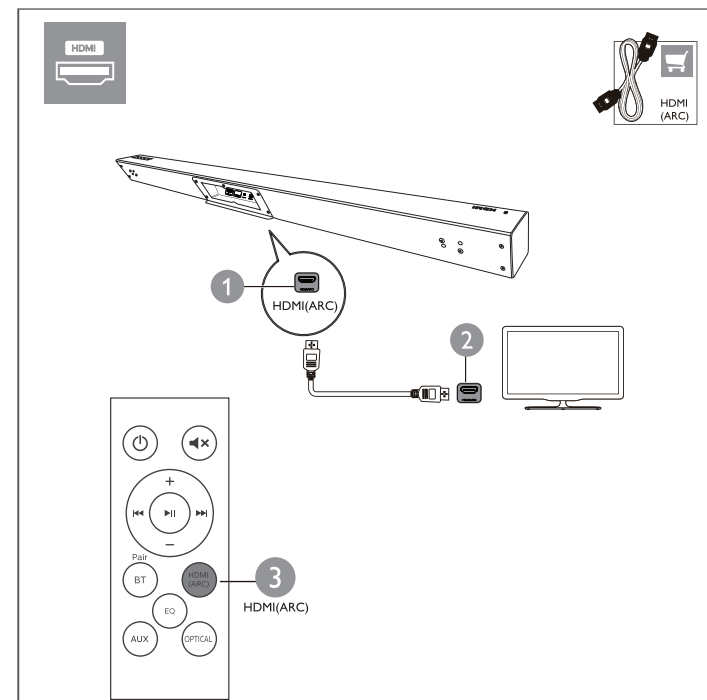
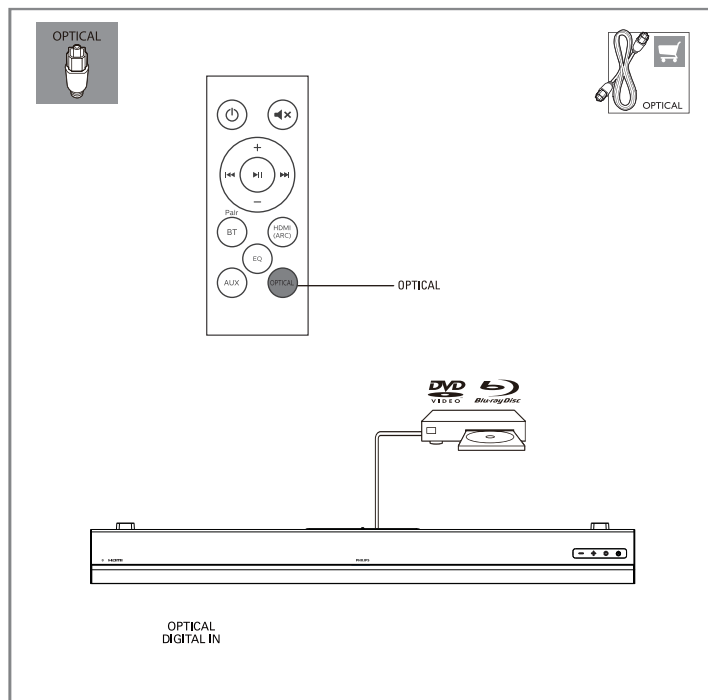
5

- EN** Switch on the SoundBar
- ES** Encender la barra de sonido
- FR** Allumez la barre de son



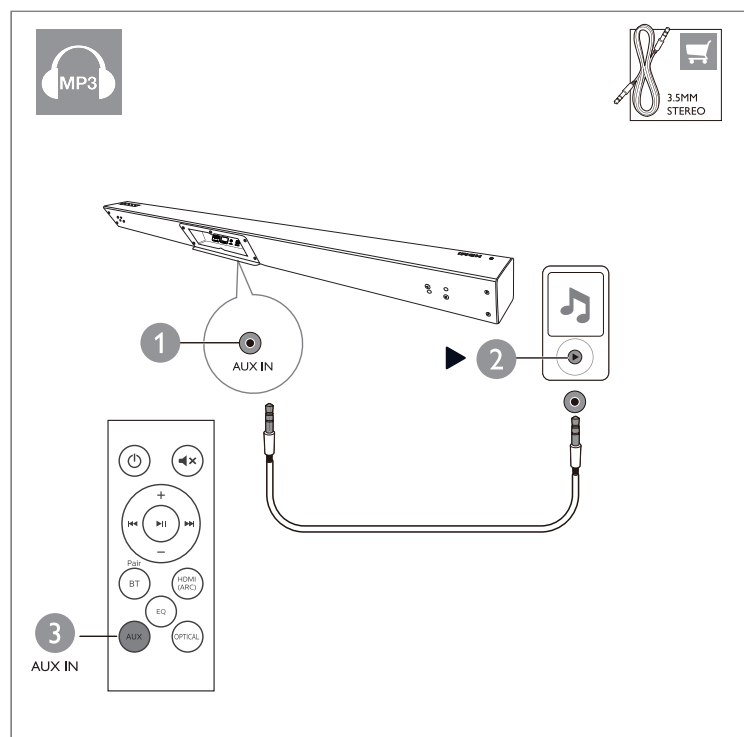
6

- EN** Select the correct audio source
- ES** Seleccionar la fuente de audio correcta
- FR** Sélectionnez la source audio appropriée



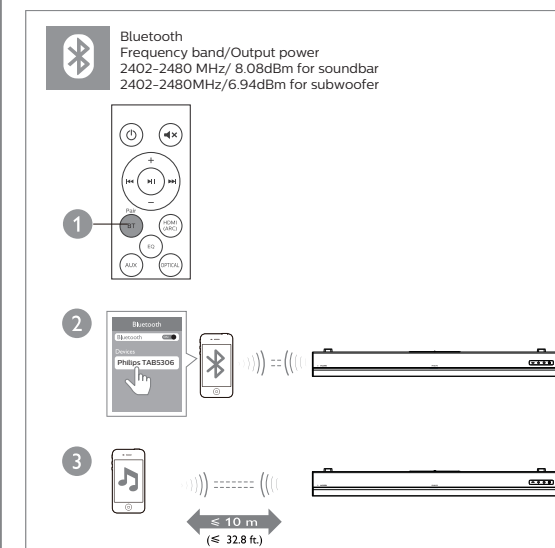
7

- EN** Play other devices
- ES** Reproducir otros dispositivos
- FR** Lecture d'autres appareils



8

- EN** Play audio through Bluetooth
- ES** Reproducir audio mediante Bluetooth
- FR** Lecture de l'audio via Bluetooth



9

- EN** For more information about using this product, visit www.philips.com/support
- ES** Para obtener más información sobre el uso de este producto, visite www.philips.com/support
- FR** Pour plus d'informations sur l'utilisation de ce produit, visitez www.philips.com/support



The Roku TV Ready logo is a trademark of Roku, Inc.



The Bluetooth® word mark and logos are registered trademarks owned by Bluetooth SIG, Inc. and any use of such marks by MMD Hong Kong Holding Limited is under license. Other trademarks and trade names are those of their respective owners.