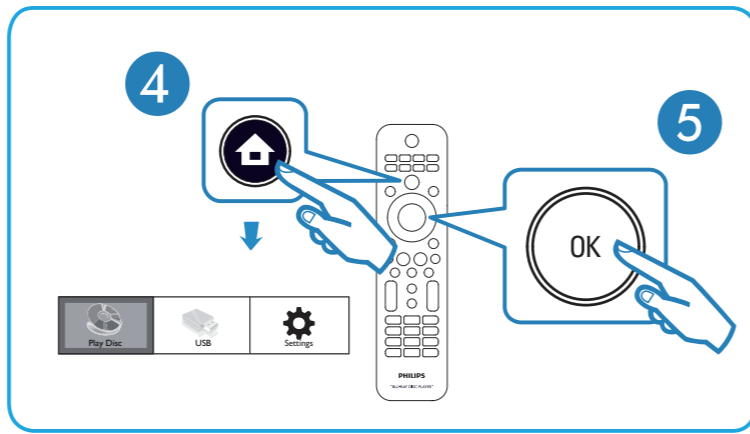
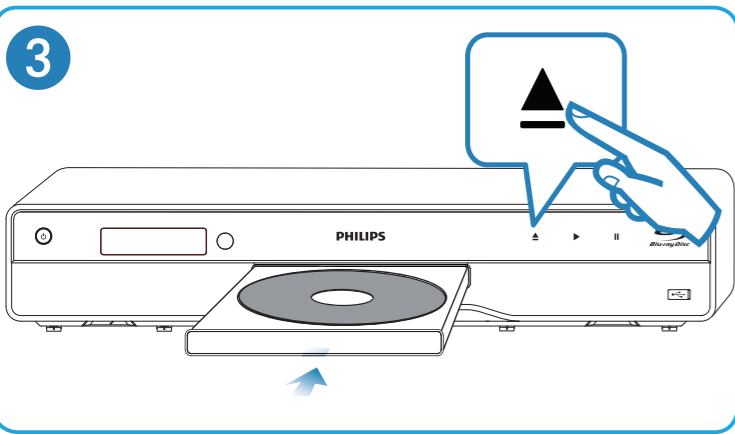
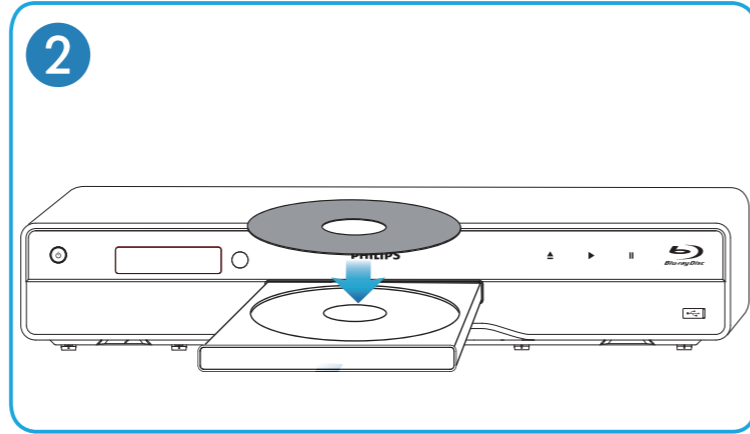
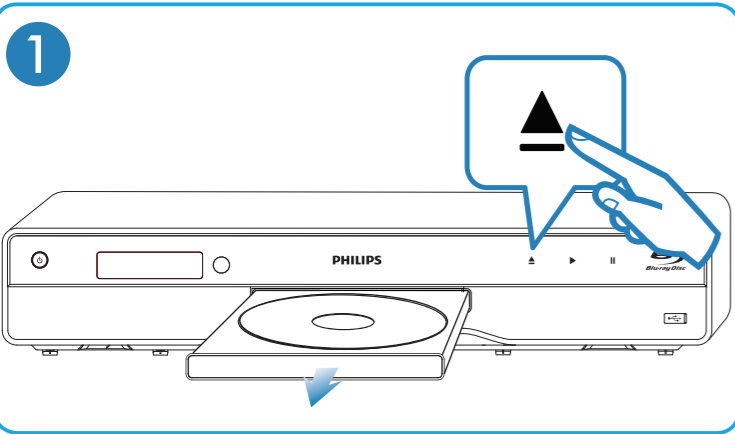


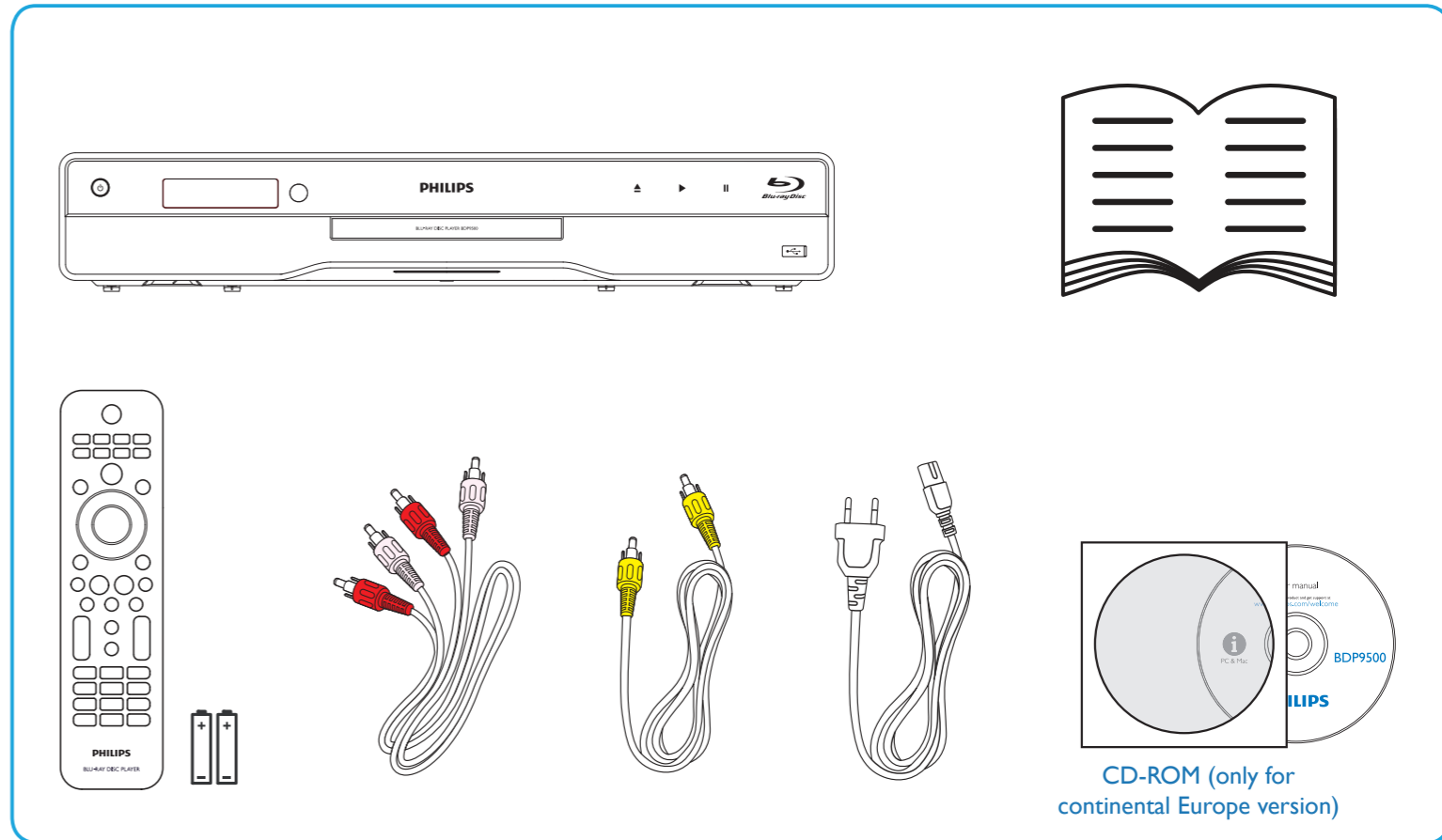
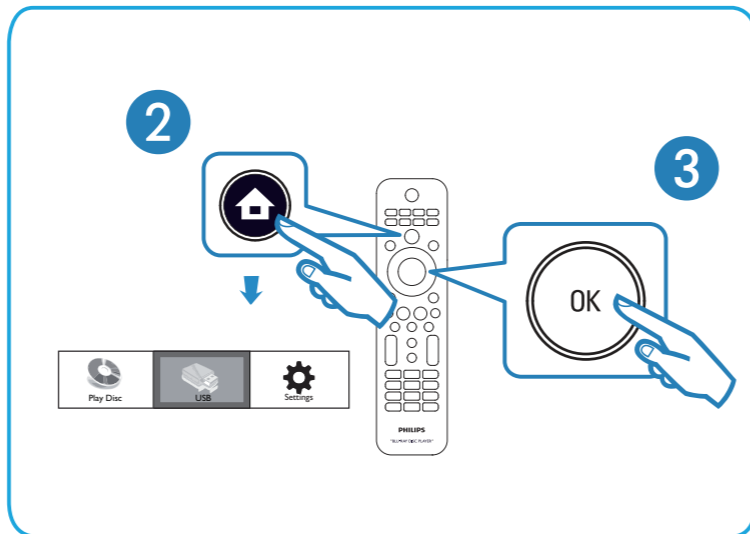
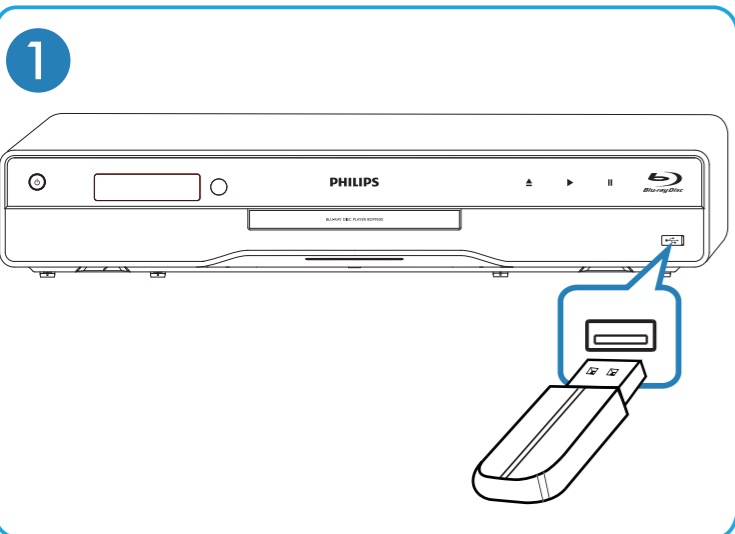


[www.philips.com/welcome](http://www.philips.com/welcome)

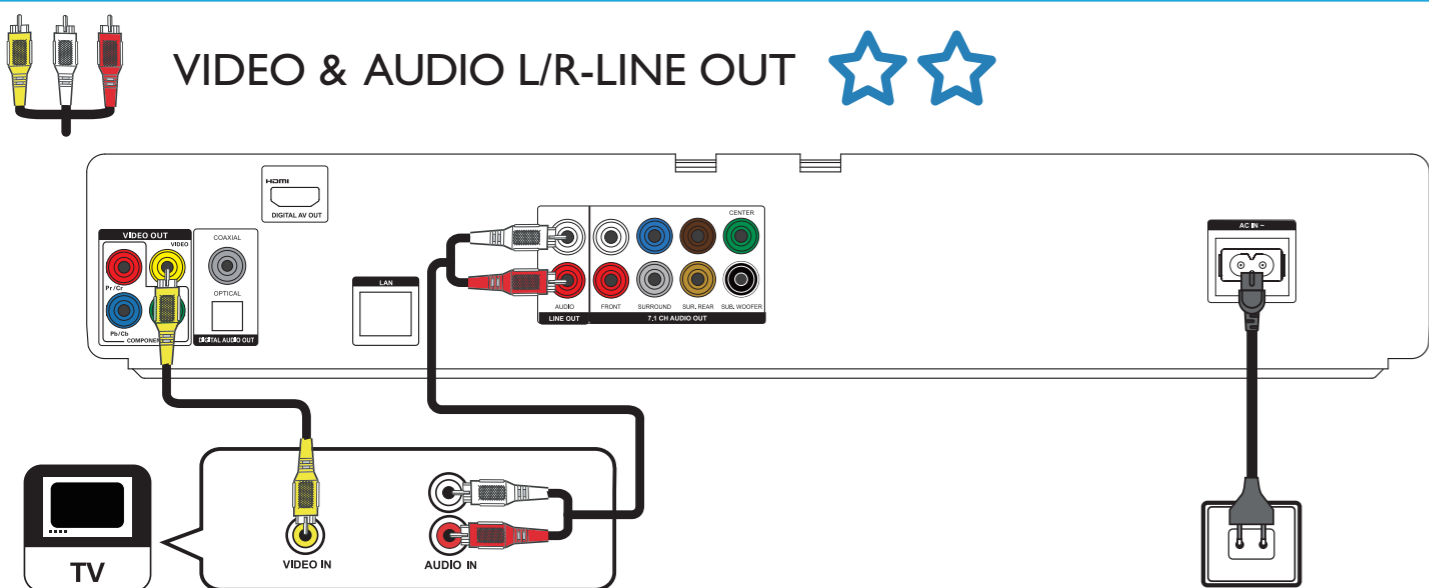
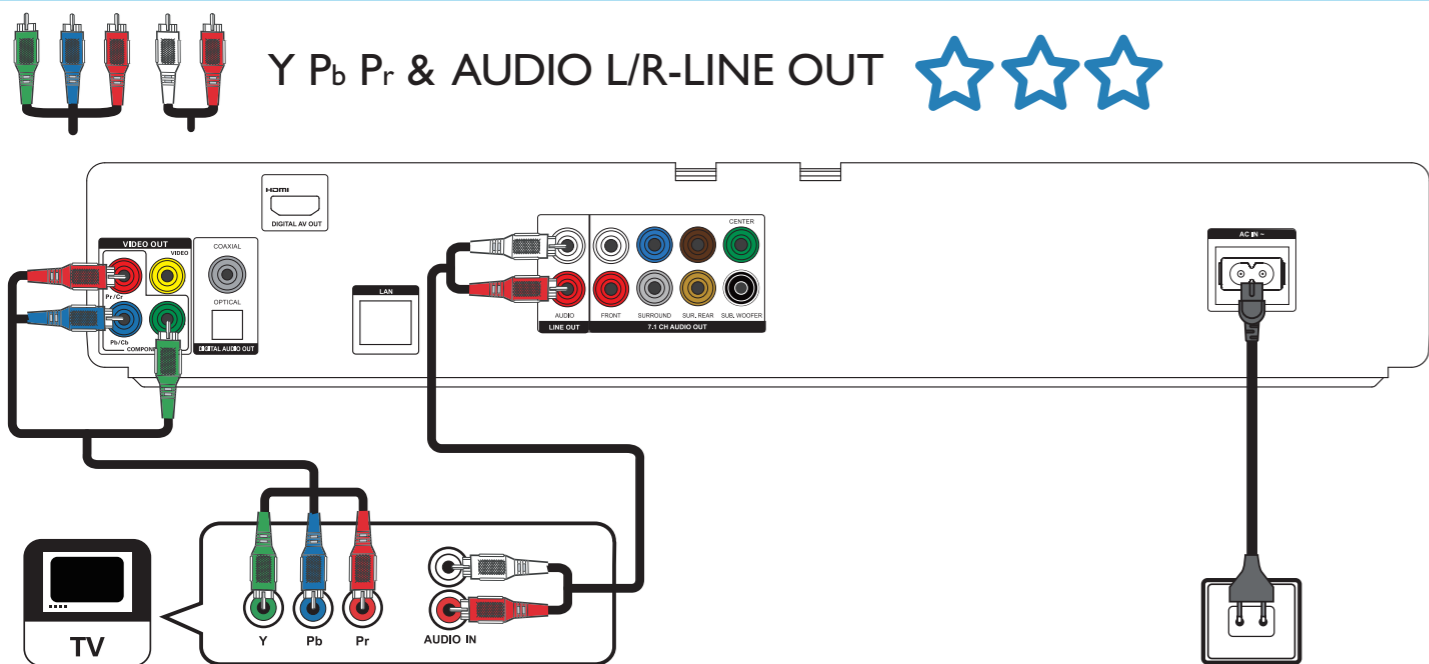
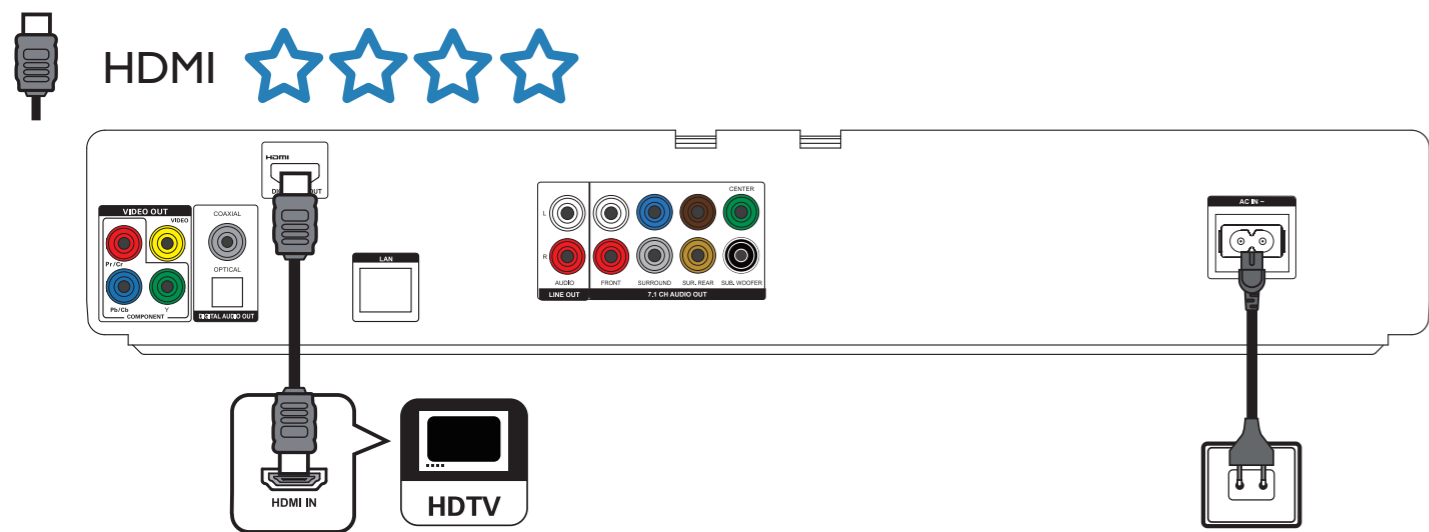
3



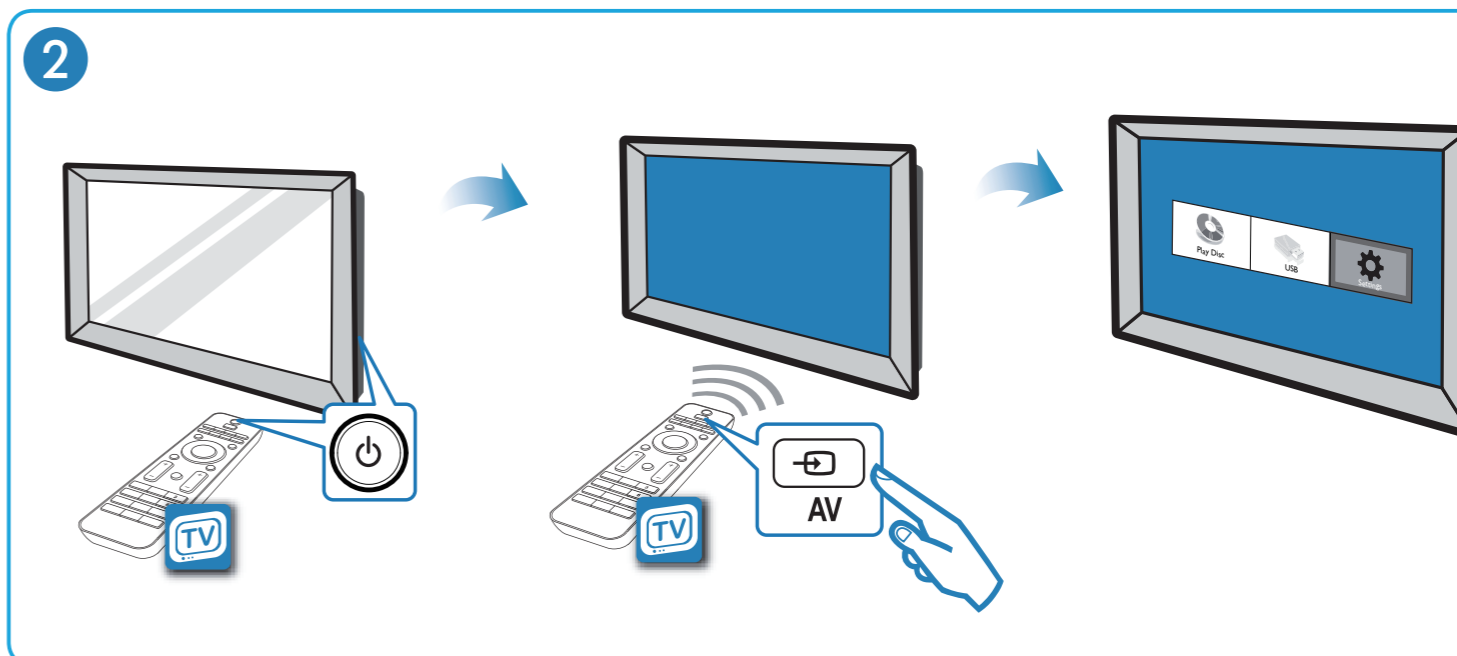
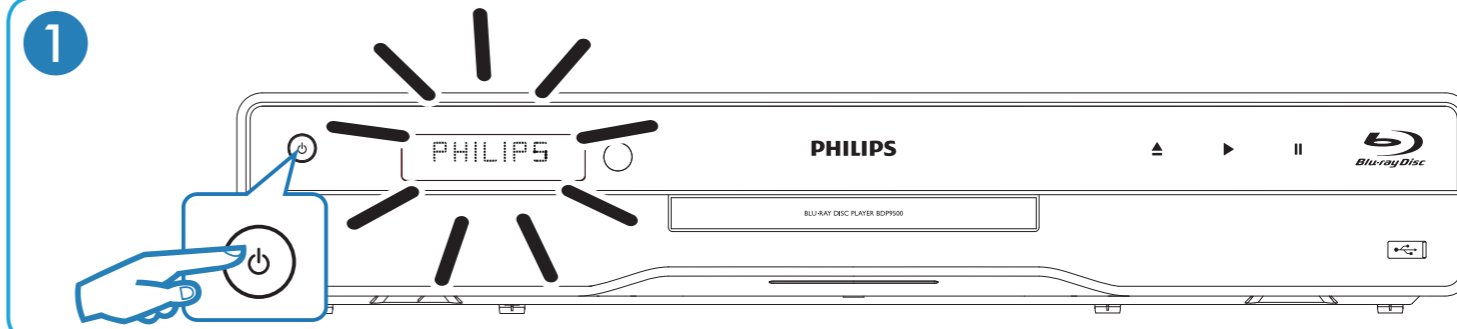
USB



# 1



# 2



3

Video Setup	Menu Language	● English
Audio Setup	Parental Control	● Off
Preference Setup	Screen Saver	● Off
EasyLink Setup	Change Password	●
Advanced Setup	Display Panel	● Normal
	Auto Standby	● On
	VCD PBC	● On

Video Setup	Menu Language	English
Audio Setup	Parental Control	Français
Preference Setup	Screen Saver	Deutsch
EasyLink Setup	Change Password	Italiano
Advanced Setup	Display Panel	Español
	Auto Standby	Nederlands
	VCD PBC	Svenska
		Português