

Register your product and get support at  
[www.philips.com/welcome](http://www.philips.com/welcome)

FWP3100D



# User manual

# PHILIPS

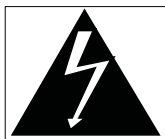
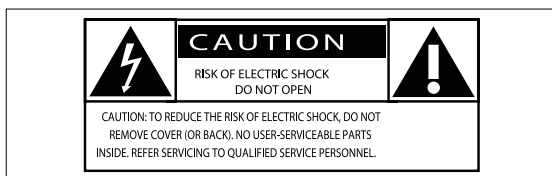
# Contents

<b>1 Important</b>	4	<b>8 Product information</b>	19
Safety	4	Specifications	19
Notice	6	USB playability information	19
<b>2 Your Mini Hi-Fi System</b>	7	<b>9 Troubleshooting</b>	20
Introduction	7		
What's in the box	7		
Overview of the main unit	8		
Overview of the remote control	9		
<b>3 Get started</b>	11		
Install remote control battery	11		
Connect power	11		
Turn demo mode on/off	12		
Turn on	12		
<b>4 Play</b>	13		
Basic play operations	13		
Play from iPod/iPhone	13		
Play from USB	14		
Play options	14		
<b>5 Listen to radio</b>	15		
Tune to radio stations	15		
Store radio stations	15		
Select a preset radio station	15		
<b>6 Adjust sound</b>	16		
Adjust speaker volume	16		
Select a sound effect	16		
Mute sound	16		
Select an audio output mode	16		
<b>7 Additional features</b>	17		
Play audio from an external device	17		
Speak or sing through the Hi-Fi system	17		
Enjoy simultaneous play	18		
Adjust decoration light	18		

# 1 Important

## Safety

### Know these safety symbols



This 'bolt of lightning' indicates uninsulated material within your unit may cause an electrical shock. For the safety of everyone in your household, please do not remove product covering.




The 'exclamation point' calls attention to features for which you should read the enclosed literature closely to prevent operating and maintenance problems.

**WARNING:** To reduce the risk of fire or electric shock, this apparatus should not be exposed to rain or moisture and objects filled with liquids, such as vases, should not be placed on this apparatus.

**CAUTION:** To prevent electric shock, match wide blade of plug to wide slot, fully insert.

## Important Safety Instructions

- ① Read these instructions.
  - ② Keep these instructions.
  - ③ Heed all warnings.
  - ④ Follow all instructions.
  - ⑤ Do not use this apparatus near water.
  - ⑥ Clean only with dry cloth.
  - ⑦ Do not block any ventilation openings. Install in accordance with the manufacturer's instructions.
  - ⑧ Do not install near any heat sources such as radiators, heat registers, stoves, or other apparatus (including amplifiers) that produce heat.
  - ⑨ Protect the power cord from being walked on or pinched, particularly at plugs, convenience receptacles, and the point where they exit from the apparatus.
  - ⑩ Only use attachments/accessories specified by the manufacturer.
  - ⑪ Use only with the cart, stand, tripod, bracket, or table specified by the manufacturer or sold with the apparatus. When a cart is used, use caution when moving the cart/apparatus combination to avoid injury from tip-over.
- 
- ⑫ Unplug this apparatus during lightning storms or when unused for long periods of time.
  - ⑬ Refer all servicing to qualified service personnel. Servicing is required when the apparatus has been damaged in any way, such as power-supply cord or plug

is damaged, liquid has been spilled or objects have fallen into the apparatus, the apparatus has been exposed to rain or moisture, does not operate normally, or has been dropped.

- ⑭ **Battery usage CAUTION – To prevent battery leakage which may result in bodily injury, property damage, or damage to the unit:**
- Install all batteries correctly, + and - as marked on the unit.
  - Do not mix batteries (old and new or carbon and alkaline, etc.).
  - Remove batteries when the unit is not used for a long time.
- ⑮ **Apparatus shall not be exposed to dripping or splashing.**
- ⑯ **Do not place any sources of danger on the apparatus (e.g. liquid filled objects, lighted candles).**
- ⑰ **Where the MAINS plug or an appliance coupler is used as the disconnect device, the disconnect device shall remain readily operable.**

#### **Risk of swallowing batteries!**

- The product/remote control may contain a coin type battery, which can be swallowed. Keep the battery out of reach of children at all times!

Risk of overheating! Never install this apparatus in a confined space. Always leave a space of at least four inches around this apparatus for ventilation. Ensure curtains or other objects never cover the ventilation slots on this apparatus.



#### **Warning**

- Never remove the casing of this unit.
- Never lubricate any part of this unit.
- Place this unit on a flat, hard and stable surface.
- Never place this unit on other electrical equipment.
- Only use this unit indoors. Keep this unit away from water, moisture and liquid-filled objects.
- Keep this unit away from direct sunlight, naked flames or heat.

## **Hearing safety**

### **Listen at a moderate volume.**

- Using headphones at a high volume can impair your hearing. This product can produce sounds in decibel ranges that may cause hearing loss for a normal person, even for exposure less than a minute. The higher decibel ranges are offered for those that may have already experienced some hearing loss.
- Sound can be deceiving. Over time your hearing 'comfort level' adapts to higher volumes of sound. So after prolonged listening, what sounds 'normal' can actually be loud and harmful to your hearing. To guard against this, set your volume to a safe level before your hearing adapts and leave it there.

### **To establish a safe volume level:**

- Set your volume control at a low setting.
- Slowly increase the sound until you can hear it comfortably and clearly, without distortion.

### **Listen for reasonable periods of time:**

- Prolonged exposure to sound, even at normally 'safe' levels, can also cause hearing loss.
- Be sure to use your equipment reasonably and take appropriate breaks.

### **Be sure to observe the following guidelines when using your headphones.**

- Listen at reasonable volumes for reasonable periods of time.
- Be careful not to adjust the volume as your hearing adapts.
- Do not turn up the volume so high that you can't hear what's around you.
- You should use caution or temporarily discontinue use in potentially hazardous situations. Do not use headphones while operating a motorized vehicle, cycling, skateboarding, etc.; it may create a traffic hazard and is illegal in many areas.

---

## Notice

Any changes or modifications made to this device that are not expressly approved by Philips Consumer Lifestyle may void the user's authority to operate the equipment.

---

## Disposal of your old product and batteries

Your product is designed and manufactured with high quality materials and components, which can be recycled and reused. Never dispose of your product with other household waste. Please inform yourself about the local rules on the separate collection of electrical and electronic products and batteries. The correct disposal of these products helps prevent potentially negative consequences on the environment and human health. Your product contains batteries, which cannot be disposed of with normal household waste. Please inform yourself about the local rules on separate collection of batteries. The correct disposal of batteries helps prevent potentially negative consequences on the environment and human health. Please visit [www.recycle.philips.com](http://www.recycle.philips.com) for additional information on a recycling center in your area.



**Be responsible**  
**Respect copyrights**

The making of unauthorized copies of copy-protected material, including computer programs, files, broadcasts and sound recordings, may be an infringement of copyrights and constitute a criminal offence. This equipment should not be used for such purposes.

## Environmental information

All unnecessary packaging has been omitted. We have tried to make the packaging easy to separate into three materials: cardboard (box), polystyrene foam (buffer) and polyethylene (bags, protective foam sheet.) Your system consists of materials which can be recycled and reused if disassembled by a specialized company. Please observe the local regulations regarding the disposal of packaging materials, exhausted batteries and old equipment.

Made for



iPod



iPhone

"Made for iPod" and "Made for iPhone" mean that an electronic accessory has been designed to connect specifically to iPod or iPhone respectively, and has been certified by the developer to meet Apple performance standards. Apple is not responsible for the operation of this device or its compliance with safety and regulatory standards. Please note that the use of this accessory with iPod or iPhone may affect wireless performance. iPod and iPhone are trademarks of Apple Inc., registered in the U.S. and other countries.

# 2 Your Mini Hi-Fi System

Congratulations on your purchase, and welcome to Philips! To fully benefit from the support that Philips offers, register your product at [www.philips.com/welcome](http://www.philips.com/welcome).

---

## Introduction

**With this Hi-Fi system, you can:**

- enjoy audio from your iPod/iPhone, USB storage devices, or other external devices
- charge your iPod/iPhone
- listen to FM radio stations
- speak or sing with microphones through the loudspeakers of the unit

**To enrich sound, this Hi-Fi system offers you these sound effects:**

- Digital Sound Control (DSC)
- Dynamic Bass Boost (DBB)
- Bass and treble adjustment
- Max Sound for instant power boost

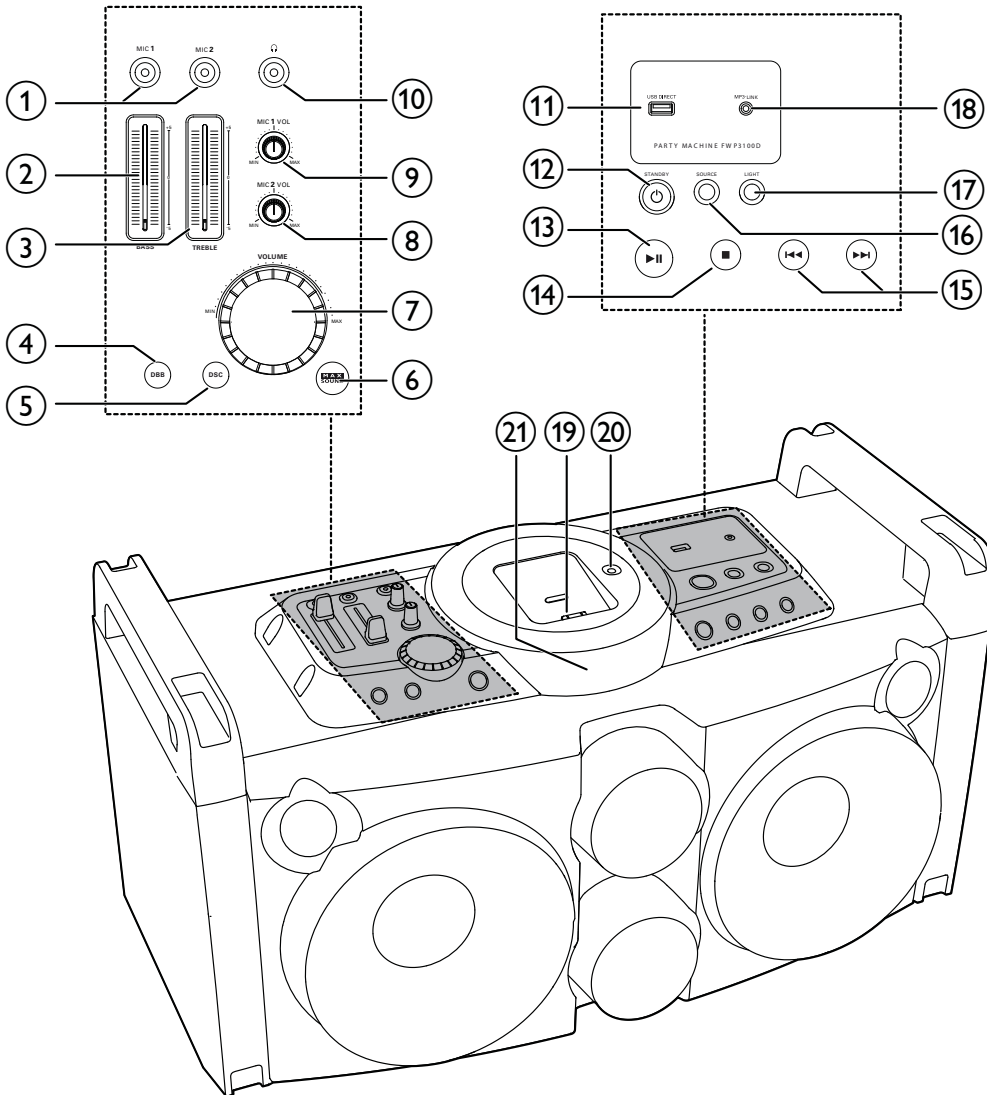
---

## What's in the box

Check and identify the contents of your package:

- Main unit
- Remote control (with battery)
- Power cord
- FM antenna
- User manual
- Quick start guide

# Overview of the main unit



- ① MIC 1/MIC 2**

  - Connect microphones.
- ② BASS**

  - Adjust the bass level of the connected microphone (range: -5 to +5).
- ③ TREBLE**

  - Adjust the treble level of the connected microphone (range: -5 to +5).
- ④ DBB**






  - Turn on/off dynamic bass enhancement.
- ⑤ DSC**

  - Select a preset sound setting.
- ⑥ MAX SOUND**

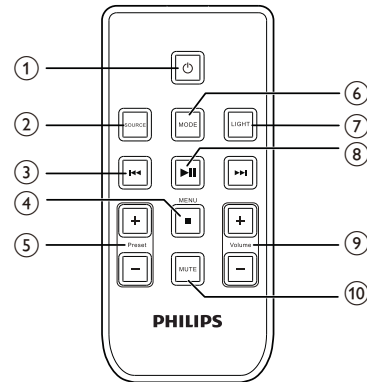
  - Turn on/off instant power boost.
- ⑦ Volume knob**




  - Adjust speaker volume.
- ⑧ MIC 2 VOL**

  - Adjust volume of the microphone connected to the **MIC 2** socket.

- ⑨ **MIC 1 VOL**
  - Adjust volume of the microphone connected to the **MIC 1** socket.
- ⑩ 
  - Connect a headphone.
- ⑪ **USB DIRECT**
  - Connect a USB mass storage device.
- ⑫ **STANDBY** 
  - Turn on the unit or switch to standby mode.
- ⑬ 
  - Start or pause play.
- ⑭ 
  - Stop play.
- ⑮ 
  - Skip to the previous/next track.
  - Search within a track.
  - Tune to a radio station.
- ⑯ **SOURCE**
  - Select a source: IPOD, USB, FM or MP3 LINK.
- ⑰ **LIGHT**
  - Adjust the decoration light around the speakers.
- ⑱ **MP3 LINK**
  - Connect an external audio device.
- ⑲ **Dock for iPod/iPhone**
- ⑳ **ROTATE**
  - Adjust the direction of the dock for iPod/iPhone.
- ㉑ **Display panel**
  - Show current status.

## Overview of the remote control



- ① 
  - Switch the unit to standby mode.
- ② **SOURCE**
  - Select a source: IPOD, USB, FM or MP3-LINK.
- ③ 
  - Skip to the previous/next track.
  - Search within a track.
  - Navigate left/right in the iPod/iPhone menu.
  - Tune to a radio station.
- ④ **MENU/** 
  - Stop play.
  - (Press and hold) access the iPod/iPhone menu.
  - Stop radio programming.
- ⑤ **Preset +/-**
  - Select a preset radio station.
  - Navigate up/down in the iPod/iPhone menu.
- ⑥ **MODE**
  - Select repeat/shuffle play modes.
  - Program radio stations.
- ⑦ **LIGHT**
  - Adjust the decoration light around the speakers.



⑧ ▶||

- Start or pause play.
- (Press and hold) confirm a selection in the iPod/iPhone menu.

⑨ **Volume +/-**

- Adjust speaker volume.

⑩ **MUTE**

- Mute or restore volume.

# 3 Get started

## ! Caution

- Use of controls or adjustments or performance of procedures other than herein may result in hazardous radiation exposure or other unsafe operation.

Always follow the instructions in this chapter in sequence.

If you contact Philips, you will be asked for the model and serial number of this apparatus. The model number and serial number are on the back of the apparatus. Write the numbers here:  
Model No. \_\_\_\_\_  
Serial No. \_\_\_\_\_

## Install remote control battery

### ! Caution

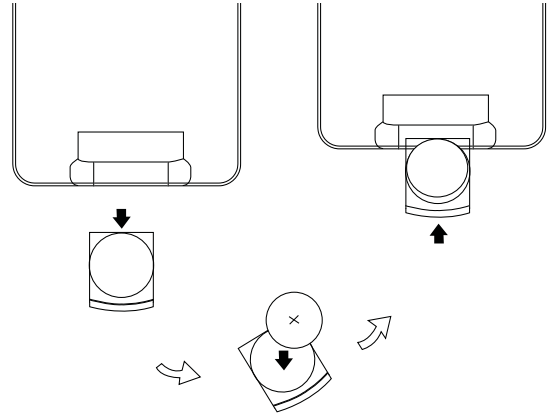
- Risk of explosion! Keep batteries away from heat, sunshine or fire. Never discard batteries in fire.
- Risk of product damage! When the remote control is not used for long periods, remove the battery.

### For first-time use:

- Remove the protective tab to activate the remote control battery.

### To replace the remote control battery:

- 1 Open the battery compartment.
- 2 Insert one CR2025 battery with correct polarity (+/-) as indicated.
- 3 Close the battery compartment.



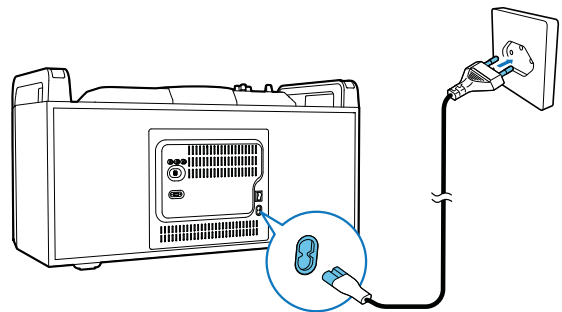
## Connect power

### ! Caution

- Risk of product damage! Make sure that the power supply voltage corresponds to the voltage printed on the head of the AC power cord.
- Risk of electric shock! When you unplug the power cord, always pull the plug from the socket. Never pull the cord.

### ≡ Note

- Before you connect the AC power cord, make sure that you have completed all other connections.



- Connect the AC power cord to
  - the ~ **AC IN** socket on this unit.
  - the wall power socket.

---

## Turn demo mode on/off

Every time when the Hi-Fi system is connected to power, a demonstration of the major features starts on the display panel.

### To deactivate demo mode

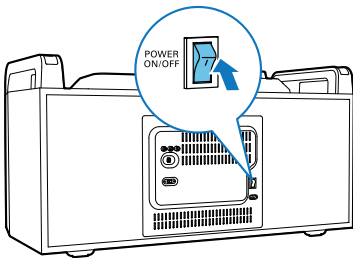
- Press and hold **LIGHT** for about 4 seconds.

### To activate demo mode again

- Press and hold **LIGHT** for about 4 seconds again.
- Or unplug the power cord, and then plug it again.

---

## Turn on



- 1** Turn the **POWER ON/OFF** switch on the back panel to the | position.
- 2** Press  $\phi$ .
  - ↳ The unit switches to the last selected source.

---

## Switch to standby mode

- Press  $\phi$  to switch the unit to standby mode.
  - ↳ The backlight on the display panel turns off.

# 4 Play

## Basic play operations

You can control play through the following operations.

Function	Action
To stop play	press <b>MENU/ ■</b> .
To pause/resume play	press <b>▶  </b> .
To skip to a track	press <b>◀◀ / ▶▶</b> .
To search during play	press and hold <b>◀◀ / ▶▶</b> , then release to resume normal play.

## Play from iPod/iPhone

You can enjoy audio from iPod/iPhone through this unit.

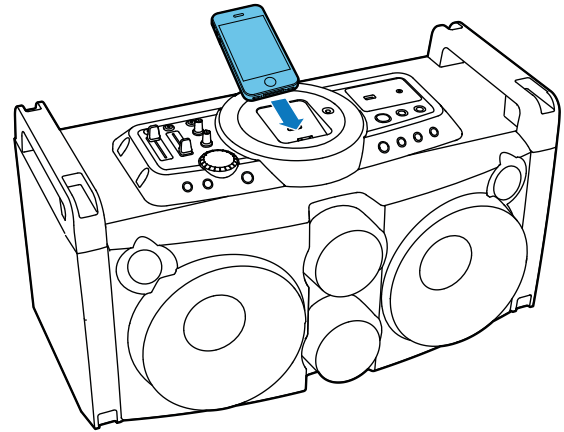
### Compatible iPod/iPhone

The unit supports the following iPod/iPhone models.

Made for:

- iPod touch (1st, 2nd, 3rd, and 4th generation)
- iPod classic
- iPod nano (2nd, 3rd, 4th, 5th, and 6th generation)
- iPhone 4S
- iPhone 4
- iPhone 3GS
- iPhone 3G
- iPhone

## Load the iPod/iPhone



- 1 Insert your iPod/iPhone into the dock.
- 2 If needed, use the **ROTATE** knob to adjust the direction of the dock.

### Remove the iPod/iPhone

- Pull the iPod/iPhone out of the dock.

## Charge the iPod/iPhone

When the unit is connected to power, the docked iPod/iPhone begins to charge automatically.

## Listen to the iPod/iPhone

### Note

- Make sure that your iPod/iPhone has been loaded securely.

- 1 Press **SOURCE** repeatedly to select the dock source.
- 2 Start music play on your iPod/iPhone.  
↳ You can hear music from the Hi-Fi system.

---

## Basic play operations

Besides the basic play operations, you can also control iPod/iPhone play through the following operations.

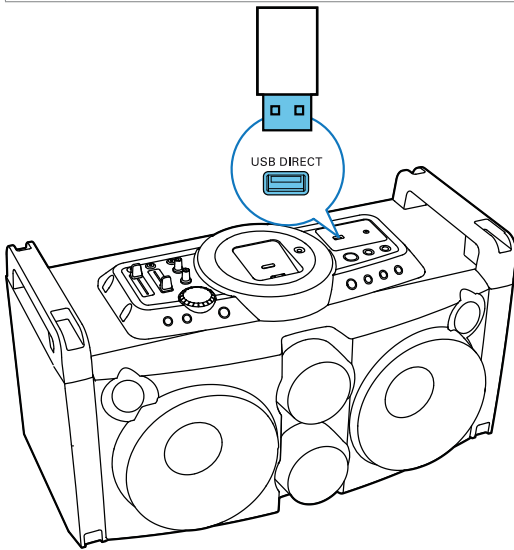
Function	Action
To access the iPod/iPhone menu	press and hold <b>MENU/■</b> .
To navigate up/down	press <b>Preset +/-</b> .
To navigate left/right	press <b>◀◀ / ▶▶</b> .
To confirm a selection	press <b>▶  </b> .

---

## Play from USB

### Note

- Make sure that the USB device contains playable audio content.



- 1 Insert a USB mass storage device into the **USB DIRECT** socket.
- 2 Press **SOURCE** repeatedly to select the USB source.  
↳ Play starts automatically.

---

## Play options


---

### Repeat and shuffle play

- Press **MODE** repeatedly to select:
  - **[RPT1]** (repeat one): play the current track repeatedly.
  - **[RPT ALL]** (repeat all): play all tracks repeatedly.
  - **[SHUFFLE]** (shuffle): play all tracks randomly.
  - **[RPT SHUF]** (repeat shuffle): play all tracks repeatedly in random order.
  - **[NORMAL]** (normal): resume normal play.

---

### Listen through headphone

- Plug a headphone into the  socket on the top panel.

# 5 Listen to radio

## Select a preset radio station

- In tuner mode, press **Preset +/-** repeatedly to select a preset radio station.

### Tune to radio stations

#### Note

- To improve FM reception, fully extend and adjust the position of the FM antenna attached to the back panel.

- 1 Press **SOURCE** repeatedly to select the FM tuner source.
- 2 Press and hold **◀◀ / ▶▶** for three seconds.
  - ↳ The Hi-Fi system tunes to a station with strong reception automatically.
- 3 Repeat step 2 to tune to more stations.

#### To tune to a weak station:

- 1 Press **◀◀ / ▶▶** repeatedly until you find optimal reception.

### Store radio stations

#### Note

- You can store a maximum of 20 FM radio stations.

- 1 Tune to a radio station.
- 2 Press **MODE** to activate programming.
- 3 Press **◀◀ / ▶▶** to allocate a number from 1 to 20 to this radio station, then press **MENU/ ■** to confirm.
  - ↳ The preset number and the frequency of the preset station are displayed.
- 4 Repeat the previous steps to program other stations.

#### Note

- To overwrite a programmed station, store another station in its place.

# 6 Adjust sound

---

## Adjust speaker volume

- During play, press **Volume +/-** to increase/decrease speaker volume.

## Select a sound effect



### Note

- You cannot use different sound effects at the same time.

## Boost sound power

This feature allows you to give an instant boost to the sound power.

- Press **MAX SOUND** on the top panel to turn on or off instant power boost.

## Select a preset sound effect

The DSC (Digital Sound Control) feature allows you to enjoy special sound effects.

- During play, press **DSC** on the top panel repeatedly to select:
  - **[JAZZ]** (jazz)
  - **[POP]** (pop)
  - **[TECHNO]** (techno)
  - **[OPTIMAL]** (optimal)

---

## Enhance bass

The best DBB (Dynamic Bass Enhancement) setting is generated automatically for each DSC selection. You can manually select the DBB setting that best suits your listening environment.

- During play, press **DBB** on the top panel repeatedly to select:
  - DBB 01
  - DBB 02
  - DBB 03
  - DBB off

---

## Mute sound

- During play, press **MUTE** to mute or restore sound output.

---

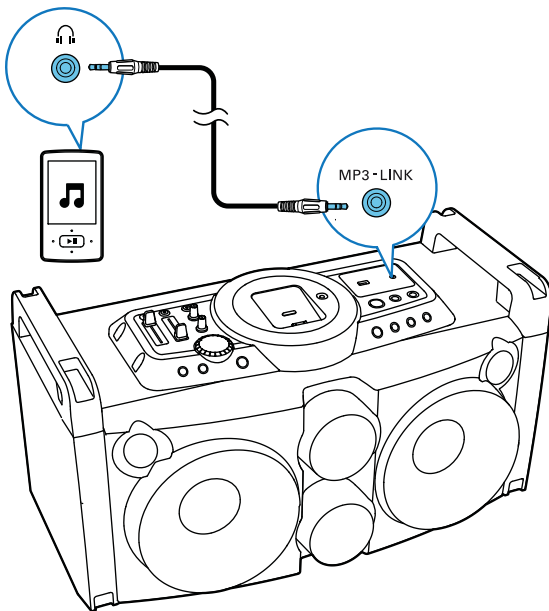
## Select an audio output mode

- Switch **CHANNEL CONTROL** at the back panel to one of the following positions:
  - **RR**: Audio output to the right channel only;
  - **RL**: Audio output to both the left and right channels;
  - **LL**: Audio output to the left channel only.

# 7 Additional features

## Play audio from an external device

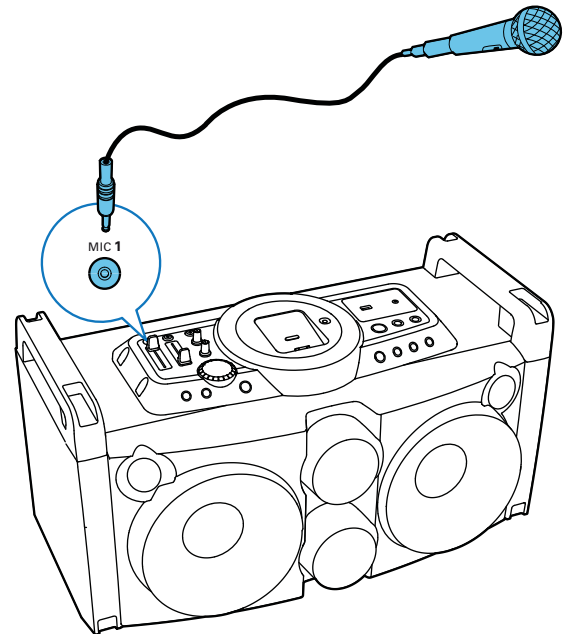
With this Hi-Fi system, you can play audio from an external audio device.



- 1 Connect the supplied MP3 Link cable to
  - the **MP3-LINK** socket on the front panel
  - the headphone socket on an external device
- 2 Press **SOURCE** repeatedly to select the MP3 link source.
- 3 Play the external device (see the device's user manual).

## Speak or sing through the Hi-Fi system

You can speak or sing through this Hi-Fi system with a microphone.

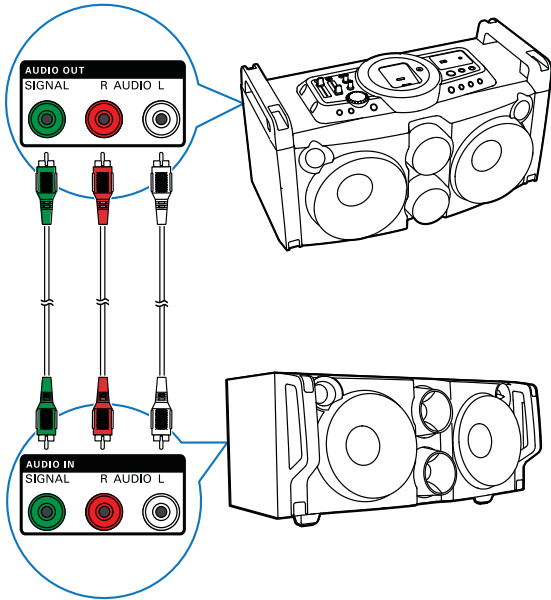


- 1 Connect a microphone (not supplied) to the **MIC 1** or **MIC 2** socket on the top panel.
- 2 Use the **MIC 1 VOL** or **MIC 2 VOL** knob on the top panel to adjust the microphone volume.
- 3 Use the **BASS** or **TREBLE** control on the top panel to adjust the bass or treble level of the microphone.



## Enjoy simultaneous play

You can output audio to multiple compatible Hi-Fi systems (FWP1000) to enjoy simultaneous play.



- 1 Connect audio cables (white/red) to:
  - the **AUDIO OUT (AUDIO L/R)** sockets on the back panel of this unit.
  - the **AUDIO IN (AUDIO L/R)** sockets on a compatible Hi-Fi system (FWP1000).
- 2 Connect a signal cable (green) to:
  - the **AUDIO OUT (SIGNAL)** socket on the back panel of the unit.
  - the **AUDIO IN (SIGNAL)** socket on a compatible Hi-Fi system (FWP1000).
- 3 If you like, connect more compatible Hi-Fi systems (FWP1000) together in the same way.
- 4 Start play on this unit (FWP3100D).
  - ↳ You can hear music from the loudspeakers of all the Hi-Fi systems connected to each other.

## Adjust decoration light

- In power-on mode, press **LIGHT** repeatedly to adjust the decoration light around the loudspeakers.
  - Blue (default, blinking blue with the music beat)
  - Red (blinking red with the music beat)
  - Purple (blinking in different colors with the music beat)
  - Off



### Tip

- The light blinks as the music beat changes.

# 8 Product information

## Note

- Product information is subject to change without prior notice.

## Specifications

### Amplifier

Rated Output Power	300 W RMS Max Power
Frequency Response	35 Hz - 20 kHz, - 3 dB
Signal to Noise Ratio	> 70 dB

### Tuner (FM)

Tuning Range	87.5 - 108 MHz
Tuning grid	100 KHz
Sensitivity - Mono, 50 dB S/N Ratio	18 - 22 dBf
Total Harmonic Distortion	> 2.0 %
Signal to Noise Ratio	> 50 dB

### Speakers

Speaker Impedance	Treble: 6 ohm Bass: 4 ohm
-------------------	------------------------------

### General information

AC power	110 - 240V ~, 50/60Hz
Operation power consumption	44 W
USB direct	Version 2.0/1.1
Dimensions (W x H x D)	704 x 385 x 364 mm
Weight	
- With Packing	17.3 kg
- Main Unit	15 kg

## USB playability information

### Compatible USB devices:

- USB flash memory (USB 2.0 or USB1.1)
- USB flash players (USB 2.0 or USB1.1)
- Memory cards (requires an additional card reader to work with this unit)

### Supported formats:

- USB or memory file format FAT16, FAT32 (sector size: 512 bytes)
- MP3 bit rate (data rate): 32-320 Kbps and variable bit rate
- Directory nesting up to a maximum of 8 levels
- Number of albums/ folders: maximum 255
- Number of tracks/titles: maximum 999
- ID3 tag v2.0 or later
- File name in Unicode UTF8 (maximum length: 128 bytes)

### Unsupported formats:

- Empty albums: an empty album is an album that does not contain MP3/ WMA files, and will not be shown in the display.
- Unsupported file formats are skipped. For example, Word documents (.doc) are ignored and not played.
- AAC, WAV, PCM audio files
- WMA files

# 9 Troubleshooting



## Warning

- Never remove the casing of this apparatus.

To keep the warranty valid, never try to repair the system yourself.

If you encounter problems when using this apparatus, check the following points before requesting service. If the problem remains unsolved, go to the Philips web site ([www.philips.com/welcome](http://www.philips.com/welcome)). When you contact Philips, ensure that the apparatus is nearby and the model number and serial number are available.

### No power

- Make sure that the AC power plug of the unit is connected properly.
- Make sure that there is power at the AC outlet.
- Make sure that the **POWER ON/OFF** switch on the back panel is turned to the | position.
- To save power, the system switches off automatically after 15 minutes of inactivity (for example, in pause or stop mode).

### No sound or poor sound

- Adjust the volume.
- Unplug the headphone.

### No response from the Hi-Fi system

- Disconnect and reconnect the AC power plug, then turn on the system again.
- As a power-saving feature, the unit switches off automatically 15 minutes after track play reaches the end and no control is operated.

### Remote control does not work

- Before you press any function button, first select the correct source with the remote control instead of the main unit.
- Reduce the distance between the remote control and the unit.

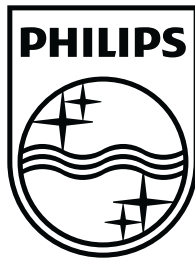
- Insert the battery with its polarities (+/- signs) aligned as indicated.
- Replace the battery.
- Aim the remote control directly at the sensor on the front of the unit.

### Poor radio reception

- Increase the distance between the unit and your TV or VCR.
- Fully extend the FM antenna.

### USB device not supported

- The USB device is incompatible with the unit. Try another one.



Specifications are subject to change without notice  
© 2012 Koninklijke Philips Electronics N.V.  
All rights reserved.

FWP3100D\_55\_UM\_V1.0

