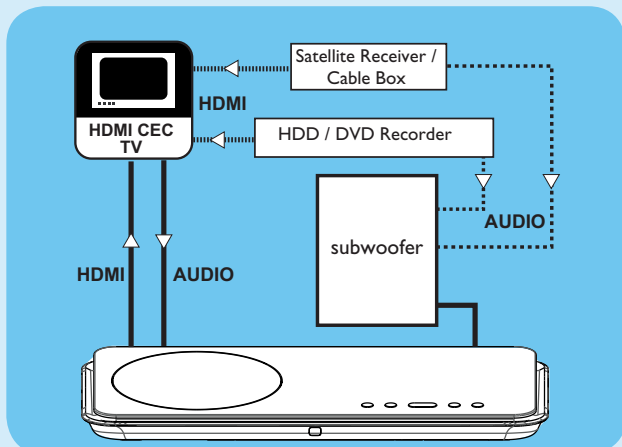


# 3 Enjoy

## EasyLink control

This feature is only applicable if this DVD Home Theatre unit is connected to HDMI CEC compliant TV/device using HDMI cable. It enables all the linked devices response or react to certain commands simultaneously with one touch control.



- 1 Turn on the HDMI CEC operations on your TV and other connected devices. See TVs/devices manual for details.
- 2 You can now enjoy the EasyLink controls.

## One touch play [ Auto Wake-up TV ]

- 1 Press PLAY.  
It turns on this unit and start disc play (if a video disc is detected), and your TV automatically turns on and switches to the correct viewing channel.

**Note** This is only possible if this unit is in standby mode. If this unit is in active mode, you have to press DISC followed by PLAY to start disc play.

## One touch power off [ System Standby ]

- 1 Press and hold .  
It turns off all linked devices.

**Note** This unit responds to standby command from other HDMI CEC compliant TV/devices.

## Need help?

User Manual  
See the user manual that came with your Philips DVD Home Theatre System.

Be responsible  
Respect copyrights

## One touch audio input switching

This unit is able to render the audio signals from the active source and switch automatically to the corresponding audio input.

Before you can enjoy this feature, connect audio cables from this unit to your TV/devices and follow the instructions below to map the audio inputs to the connected devices.

- 1 Press **DISC**.
- 2 Press **OPTIONS**.
- 3 Press **▶**.
- 4 Select [ EasyLink ], then press **▶**.

General Setup		
	EasyLink	Auto Wake-up TV
	Disc Lock	System Standby
	Display Dim	System Audio Control
	OSD Language	Audio Input Mapping
	Screen Saver	
	Sleep Timer	
	Standby Mode	
	DivX(R) VOD Code	

- 5 Select [ System Audio Control ] > [ On ], then press **OK**.
- 6 Select [ Audio Input Mapping ], then press **OK**.
- 7 Select [ OK ] in the menu, then press **OK** to start scanning of devices.
- 8 When scanning complete, select the audio input of this unit that is used to connect to your TV/device (e.g. AUX1 Input), then press **▶**.
- 9 Select the TV/device (appeared in its brand name) in the right panel, then press **OK**.
- 10 Repeat steps 8~9 to map other connected devices.
- 11 To exit the menu, press **OPTIONS**.

**Note** Philips does not guarantee 100% interoperability with all HDMI CEC compliant devices.

Register your product and get support at  
[www.philips.com/welcome](http://www.philips.com/welcome)

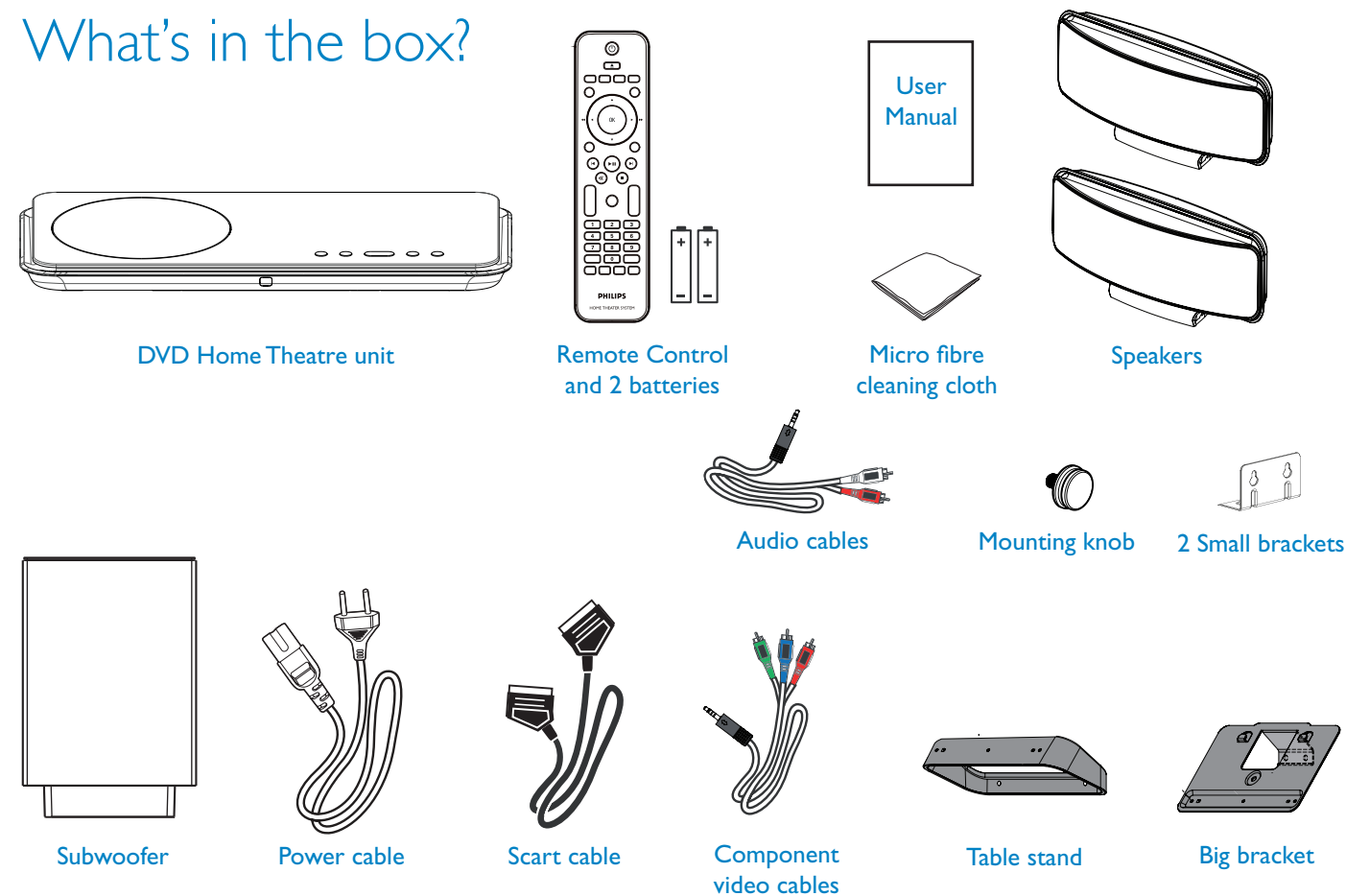
HTS6515



- 1 Connect
- 2 Set up
- 3 Enjoy

# Quick Start Guide

## What's in the box?



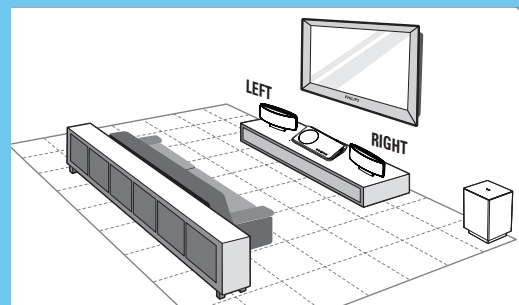
2008 © Koninklijke Philips N.V.  
All rights reserved.  
sgjip\_816/12-eng1

# PHILIPS

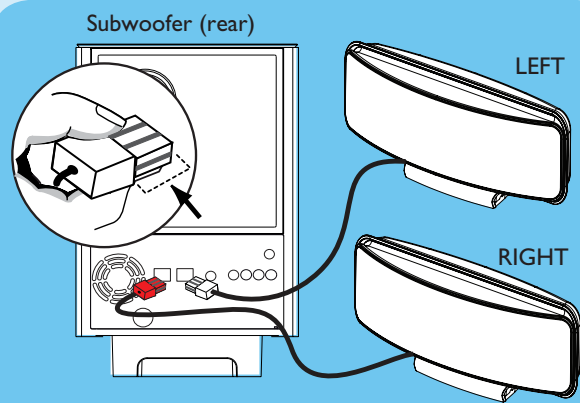
# 1 Connect

## A Placement

Proper speakers system placement is important to ensure optimum sound performance.

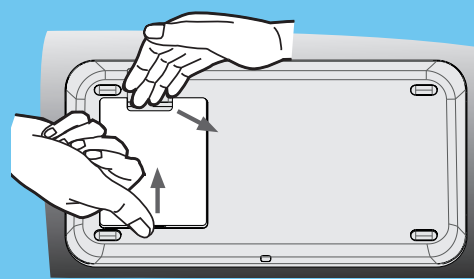


## B Connect speakers



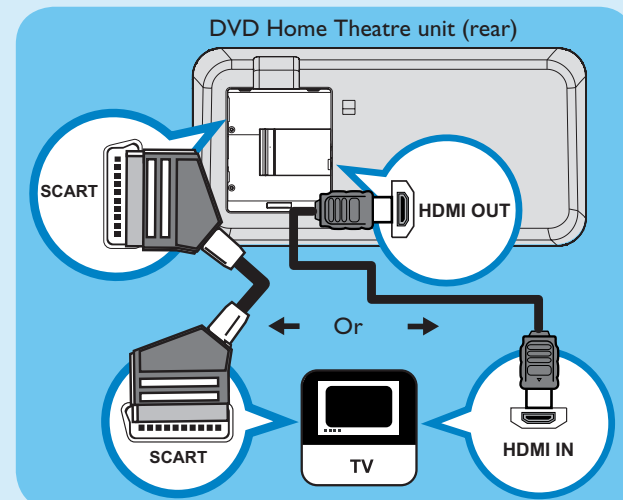
- 1 Connect the left and right Ambisound speakers to the matching sockets on the subwoofer.

## C Prepare for rear connections



- 1 Push up the catch and remove the rear cover.
- 2 Connect the required cables (see the following sections for details) and direct all the cables to the open hole on top.

## D Connect to TV

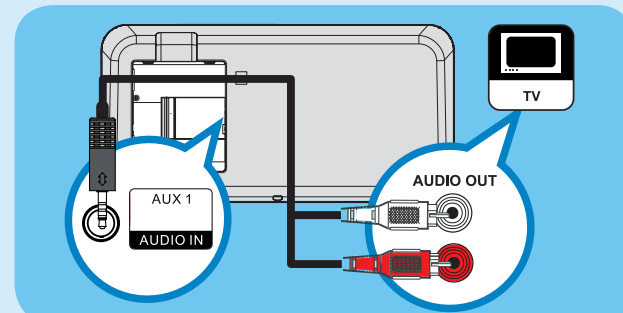


- Connect a scart cable from the SCART socket to the SCART IN socket on your TV (or connect the component video cables to the corresponding COMPONENT VIDEO sockets).
- If your TV supports HDMI, connect the HDMI cable (not supplied) from the HDMI OUT socket to the HDMI IN socket on your TV.

**Note** HDMI connection does not support audio output from your TV to this unit, a separate audio connection is required.

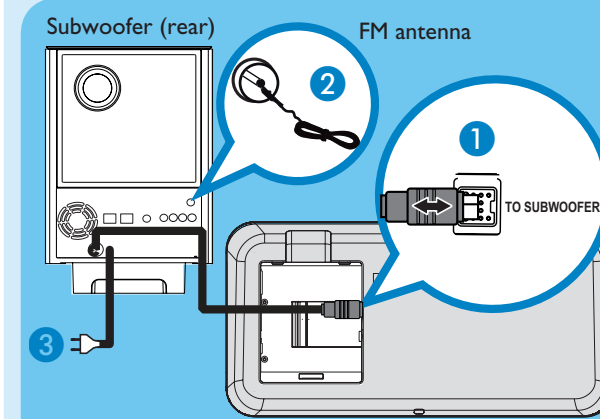
## E Connect audio output from TV (for EasyLink control)

To hear the TV audio through this DVD Home Theatre unit, connect the audio cables (supplied) from the AUDIO IN-AUX1 sockets to the AUDIO OUT sockets on your TV.



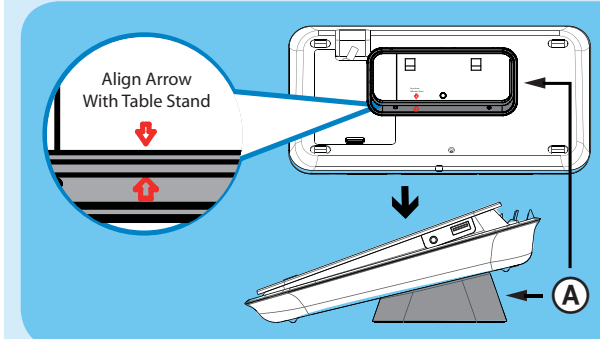
**Note** To listen to the audio output from this connection, press **AUX/DI/MP3 LINK** repeatedly until 'AUX1 INPUT' is displayed on the display panel.

## F Connect subwoofer and power cable



- 1 Unwind the cables from TO MAIN UNIT on the subwoofer and connect it to TO SUBWOOFER socket on this DVD Home Theatre unit.
- 2 Connect the FM antenna to the inner pin of the FM 75 Ω socket (for some models, it has been connected in the factory). Extend the wire for optimum reception.
- 3 Connect the power cable from subwoofer to the AC power outlet.

## G Attach table stand to DVD Home Theatre unit



(A) table stand bracket

- 1 Close the rear cover.
- 2 Place the table stand bracket with the arrow indicators aligned. Then use the protrude panels to hold the table stand bracket.

**Note** All the cables must be placed properly inside the rear panel in order for the rear cover to close.

# 2 Set up

## A Find the viewing channel

- 1 Press **⏻** to turn on this DVD Home Theatre unit.
- 2 Turn on the TV. Use the TV's remote control to select the correct viewing channel.

**Note** To search for the correct viewing channel, press the Channel Down button on the TV's remote control repeatedly (or AV, SELECT, **⏻** button) until you see the Video In channel.

## B Start Ambisound setup

When you turn on this DVD Home Theatre unit for the first time, change the Ambisound setup according to your room environment and setup.

- 1 In disc mode, press **OPTIONS**.
- 2 Press **▼** to select **[ Audio Setup ]** in the menu, then press **▶**.
- 3 Select **[ Ambisound Setup ]** in the menu, then press **▶**.
- 4 Select a setup you want to change, then press **▶**.

### [ Room Acoustics ]

Select the type of walls that surround your room. The default setting is [ Hard (concrete, wood) ].

### [ Room Placement ]

Select the speakers placement position in your room. The default setting is [ Middle of room ].

### [ Speaker Distance ]

Select the distance between two speakers. The default setting is between 2~3 meters.

### [ Listening Position ]

Select the distance between the listening position and the speakers. The default setting is between 2~3 metres.

- 5 Press **▲▼** to select a setting, then press **OK**.
- 6 To exit the menu, press **OPTIONS**.

**Note** Refer to the accompanying user manual for other setup options.