

MP3-CD Soundmachine

AZ1826

User Manual

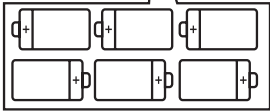
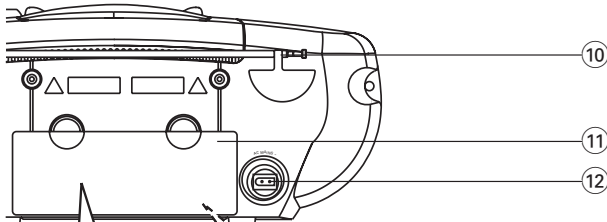
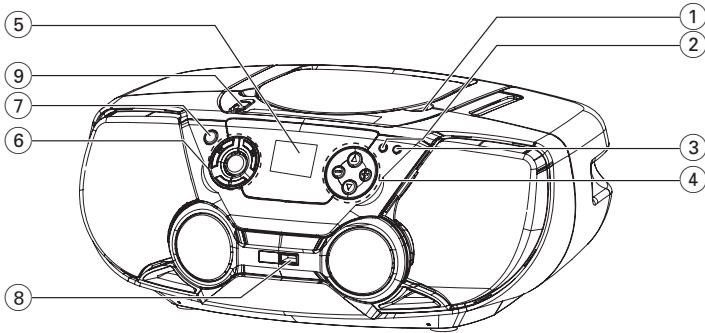
Manual del usuario

Manual do usuário

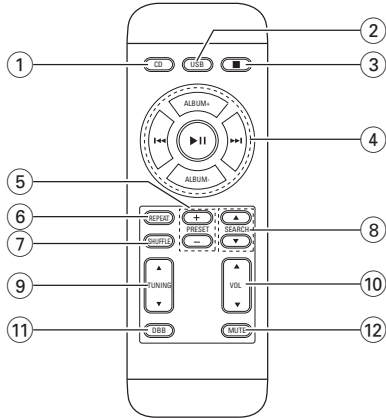
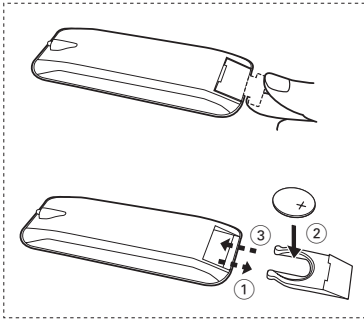


PHILIPS

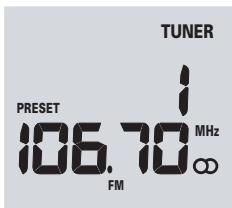
1



6 x R14 • UM-2 • C-CELLS



2



7



3



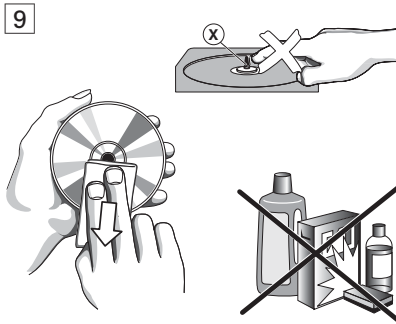
8



4



9



5



6



SUPPLIED ACCESSORIES

- AC mains lead
- remote control

TOP AND FRONT PANELS (See 1)

- 1 **PUSH TO OPEN** - press to open/close CD door
- 2 **PROG**
CD/MP3/WMA/USB: programs tracks
MW/FM: programs preset radio stations
- 3 **MODE** - selects different play modes: e.g. **REP** or **SHUF** (random order)
- 4 **VOL ▲, ▼** - adjusts volume level
ALBUM/PRESET +, - (up, down) -
MP3/WMA/USB only: selects albums
MW/FM: selects a preset radio station
- 5 **Display** - shows the status of the set
- 6 **▶||** - starts or pauses CD/USB playback.
 - - stops CD/USB playback;
 - erases a CD/USB program
- ◀◀, ▶▶ TUNING DOWN, TUNING UP**
CD/MP3/WMA/USB:
- searches backward and forward within a track;
- skips to the beginning of a current track/
previous/ later track
MW/FM: - tunes to radio stations
- 7 **CD/USB** - selects disc or USB mode
- 8 **USB port** - connects an external USB mass storage device
- 9 **Source selector: CD/USB, MW, FM, OFF**
- selects CD/USB or radio source of sound;
- switches off the set

BACK PANEL

- 10 **Telescopic aerial** - improves FM reception
- 11 **Battery compartment** - for 6 batteries, type **R-14, UM2** or **C-cells**
- 12 **AC MAINS** - inlet for mains lead.
- 13 **Voltage selector** - adjust to match the local voltage 110/220V before plugging in the set

REMOTE CONTROL

- 1 **CD** - selects CD mode
- 2 **USB** - selects USB mode
- 3 **■** - stops CD/USB playback;
- erases a CD/USB programme
- 4 **▶||** - starts/ pauses CD/USB playback
ALBUM + -
MP3/WMA/USB only: selects albums
◀◀, ▶▶ - skips to the beginning of a current track
previous/ subsequent track

- 5 **PRESET +, -**
MW/FM: selects a preset radio station (up, down)
 - 6 **REPEAT** - selects repeat modes
 - 7 **SHUFFLE** - plays all CD tracks in random order
 - 8 **SEARCH ▲, ▼** - searches backwards/ forwards within a track
 - 9 **TUNING ▲, ▼** - tunes to tuner stations
 - 10 **VOL ▲, ▼** - adjusts volume level (up, down)
 - 11 **DBB** - turns on/off bass enhancement
 - 12 **MUTE** - mutes or restores the volume
- CAUTION**
Use of controls or adjustments or performance of procedures other than herein may result in hazardous radiation exposure or other unsafe operation.

MAINS SUPPLY

Whenever convenient, use the mains supply to conserve battery life. Make sure you remove the power plug from the set and wall socket before inserting batteries.

Batteries

Main set (See 1)

- 1 Insert 6 batteries, type **R-14, UM2** or **C-cells**, (not included, preferably alkaline) with the correct polarity.

Remote control (See 1)

Important!

- **Before using the remote control, remove the insulation plastic tab as shown in figure 1.**
- **If the remote control does not function correctly or the operating range is reduced, replace the battery with a new (CR2025) type battery.**

- 1 Pull the battery tray out as shown in figure 1.
- 2 Replace a new battery according to polarity indication, and fully insert the battery tray back to the original position.
 - *Incorrect use of batteries can cause electrolyte leakage and will corrode the compartment or cause the batteries to burst.*
 - *Do not mix battery types: e.g. alkaline with carbon zinc. Only use batteries of the same type for the set.*
 - *When inserting new batteries, do not try to mix old batteries with the new ones.*
 - *Remove the batteries if the set is not to be used for a long time.*

POWER SUPPLY/BASIC FUNCTIONS

DIGITAL TUNER

Batteries contain chemical substances, so they should be disposed of properly.

Using AC Mains

- 1 Check if the mains supply, as shown on **the type plate located on the bottom of the set**, corresponds to your local mains supply. If it does not, consult your dealer or service centre.
- 2 If your set is equipped with a voltage selector, adjust the selector so that it matches with the local power supply.
- 3 Connect the power cord to the **AC MAINS** ~ inlet and the wall socket. The set is now ready for use.
- 4 To switch the set off completely, withdraw the power cord from the wall socket.
- 5 Install the unit near the AC outlet and where the AC power plug can be easily reached.
 - Disconnect the power cord from the wall socket to protect your set during heavy thunderstorms. Children could seriously injure themselves as the free end of the cable may still be live if only the connector is removed from the MAINS socket at the back of the unit.

The type plate is located on the bottom of the set.

Helpful hints:

- To avoid unnecessary energy consumption, always adjust the **Source selector** to **OFF** after using the set.

BASIC FUNCTIONS

Switching on and off and selecting function

- 1 To switch on, adjust the **Source selector** to **CD/USB, MW** or **FM** as desired.
 - To switch between CD and USB mode, first adjust **Source selector** to **CD/USB** position, then press **CD/USB** button once or more.
- 2 To switch off, adjust the **Source selector** to **OFF**.

Adjusting volume and sound

1. Adjust the volume with the **VOL ▲, ▼** or **DBB** (on the remote control).
 - Display shows **Vol** and the volume level in number from 00-32.

DIGITAL TUNER

Tuning to radio stations

- 1 Push the **source selector** to **MW** or **FM**.
 - The radio station frequency, waveband and a preset number (if programmed) are shown. (See [2])

- 2 Press and hold **◀◀** or **▶▶** (**TUNING + -** on the remote control) until the frequency in the display starts running.

→ The radio automatically tunes to a station of sufficient reception. Display shows **Srch** during automatic tuning.

- 3 Repeat step 2 if necessary until you find the desired station.
 - To tune to a weak station, press **◀◀** or **▶▶** (**TUNING + -** on the remote control) briefly and repeatedly until you have found optimal reception.

To improve radio reception:

- For **FM**, extend, incline and turn the telescopic aerial. Reduce its length if the signal is too strong.
- For **MW**, the set uses a built-in aerial. Direct this aerial by turning the whole set.

Programming radio stations

You can store up to a total of 20 radio stations in the memory (20 FM and 20 MW), manually or automatically (Autostore).

Manual programming

- 1 Tune to your desired station (see **Tuning to radio stations**).
- 2 Press **PROG** to activate programming.
 - Display: **PROG** flashes.
- 3 Press **-**, **+** (**PRESET +, -** on the remote control) once or more to allocate a number from 1 to 20.
- 4 Press **PROG** to confirm.
- 5 Repeat steps 1-4 to store other stations.

Helpful hints: You can erase a preset station by storing another frequency in its place.

Autostore

Autostore automatically starts programming radio stations from preset 1. Any previous presets e.g. manually programmed will be erased.

- 1 Select **MW** or **FM**.
- 2 Press and hold **PROG** until **Auto** displays.
 - Available stations are programmed (MW or FM). After all stations are stored, the last autostore preset station will then automatically play.

To listen to a preset or autostore station

Press the **ALBUM/PRESET -, +** (on the remote control **PRESET +, -**) buttons once or more until the desired preset station is displayed.

CD/MP3 PLAYER

CD PLAYER

About MP3

The music compression technology MP3 (MPEG1 Audio Layer 3) significantly reduce the digital data of an audio CD while maintaining CD quality sound.

- **Getting MP3 files:** you can either download legal music files from the internet to your computer hard disc, or create such files by converting audio CD files in your computer through appropriate encoder software. (128kbps bit rate or higher is recommended for MP3 files.)
- **Creating a MP3 CD:** burn the music files from your computer hard disc on a CDR or CDRW using your CD burner.

Helpful hints:

- Make sure that the file names of the MP3 files end with **.mp3** or **.wma**.
- Number of albums: maximum 50
- Number of tracks: maximum 500
- The length of file names affects the number of tracks for playback. With shorter file names, more files can be burned on a disc.

Playing a CD

This player plays Audio Discs including CD-R/ CD-RW, MP3 CD and WMA. Do not try to play a CD-ROM, CD-I, CDV, VCD, DVD or computer CD.

IMPORTANT!

- CDs encoded with **copyright protection technologies** by some record companies may be unplayable by this product.
 - DRM-protected WMA disc is not supported.
- 1** Push the **Source selector** to **CD/MP3**.
 - Press **CD/USB** once to select CD mode if "USB" is displayed.
 - 2** Insert a CD with the printed side facing up and close the CD door.
→ **rERd** is displayed as the CD player scans the contents of a disc and then Audio CD: total playing time and total number of tracks appear. (See [3]).
MP3/WMA: total number of tracks/albums appear.
 - 3** Press **▶II** to start playback.

4 To pause playback press **▶II**. Press **▶II** again to resume play.

5 To stop CD playback, press **■**.

Helpful hints: CD play will also stop when:

- the CD door is opened
- the CD has reached the end
- you select tuner or CD/USB source.

Selecting a different track

- Press **◀◀** or **▶▶** once or repeatedly until the desired track number appears in the display.

For MP3-CD/WMA: first press **ALBUM/PRESET - , +** (**ALBUM - , +** on the remote control) once or more to find your album.

- In the pause/stop position, press **▶II** to start playback.

Finding a passage within a track

1 During playback, press and hold **◀◀** or **▶▶** (or **SEARCH ▲, ▼** on the remote control).
→ The CD is played at high speed and low volume.

2 When you recognize the passage you want, release **◀◀** or **▶▶** to resume normal playback.

Different play modes: SHUFFLE and REPEAT

(See [4], [5])

You can select and change the various play modes before or during playback, and combine **REP ALL** and **REP** with **PROG**.

SHUF – tracks of the entire CD are played in random order

REP ALL – repeats the entire CD/program

REP – plays the current track continuously

- 1** To select play mode, press **MODE (SHUFFLE or REPEAT)** on the remote control) once or more.
- 2** Press **▶II** to start playback if in the stop position.
- 3** To select normal playback, press **MODE** repeatedly until the various modes are no longer displayed.
– You can also press **■** to cancel your play mode.

CD/MP3 PLAYER

USB CONNECTION

Programming track numbers

You may store up to 20 tracks in the desired sequence. If you like, store any track more than once.

1 In the stop position, press ◀◀ or ▶▶ to select your desired track number.

For MP3-CD: first press **ALBUM/PRESET - , +** (**ALBUM - , +** on the remote control) once or more to find your album.

2 Press **PROG**.

→ Display first shows the number for program location and then, track/album number stored. (See [6], [7]).

3 Repeat steps 1-2 to select and store all desired tracks.

- Display: **FULL** if you try to program more than 20 tracks.

Helpful hints:

- When the **PROG** or **SHUF** mode is active, use of the **ALBUM/PRESET - , +** keys (or **ALBUM - , +** on the remote control) are void.

Erasing a programme

You can erase the contents of the memory by:

- opening the CD door;
- selecting **MW, FM** or **CD/USB** sound sources;
- pressing ■ twice during playback or once in the stop position.
→ **PROG** disappears.

USING A USB MASS STORAGE DEVICE

- AZ1826 is fitted with a USB port in the front panel, offering a plug and play feature which allows you to play, from your AZ1826, digital music and spoken contents stored on a USB mass storage device.
- Using a USB mass storage device, you can also enjoy all the features offered by AZ1826 which are explained and instructed in the sections of disc operation.

Compatible USB mass storage devices

With the AZ1826, you can use

- USB flash memory (USB 2.0 or USB 1.1)
- USB flash player (USB 2.0 or USB 1.1)
- memory cards (requires an additional card reader to work with this system).

Note:

In some USB flash players (or memory devices), the stored contents are recorded using copyright protection technology. Such protected contents will be unplayable on any other devices (such as AZ1826 device).

Supported formats:

- USB or memory file format FAT12, FAT16, FAT32 (sector size: 512 - 65,536 bytes)
- bit rate (data rate): 32-320 kbps and variable bit rate
- WMA v9 or earlier
- Directory nesting up to a maximum of 8 levels
- Number of albums: maximum 50
- Number of tracks: maximum 500
- ID3 tag v2.0 or later
- File name in Unicode UTF8 (maximum length: 128 bytes)

The system will not play or support the following:

- Empty albums: an empty album is an album that does not contain MP3/WMA files, and will not be shown in the display.
- Non-supported file formats are skipped. This means that e.g.: Word documents .doc or MP3 files with extension. dlf are ignored and will not be played.
- AAC, WAV, PCM. NTFS audio files
- DRM protected WMA files
- WMA files in Lossless format

USB CONNECTION

Notes:

- Make sure that file names of MP3 files end with *.mp3*. and the file names of WMA files end with *.wma*.
- For DRM protected WMA files, use Windows Media Player 10 (or later) for conversion. Visit www.microsoft.com for details about Windows Media Player and WM DRM (Windows Media Digital Rights Management).

Playing a USB mass storage device

- 1 Make sure that your AZ1826 is being powered by AC mains or specified batteries.
- 2 Adjust the **Source selector** to **CD/USB**.
 - Press **CD/USB** once to select USB mode if “CD” is displayed.
→ Display shows “USB”, and the total track number and album number. (see [8](#)).
- 3 Plug a compatible USB mass storage device to AZ1826's USB port marked . If needed, use a suitable USB cable to connect between the device and AZ1826's USB port.
→ The device will automatically power on.
 - If the device is not powered on, turn on the power manually, then re-connect it.
- 4 Press **▶II** on your AZ1826 to start play.
 - To select album, press **ALBUM/PRESET -**, **+** (on the remote control **-**, **+**).

MAINTENANCE & SAFETY

Safety Information

- Place the set on a hard, flat and stable surface so that the system does not tilt.
- Do not expose the set, batteries, CDs to humidity, rain, sand or excessive heat caused by heating equipment or direct sunlight.
- Where the MAINS plug or an appliance coupler is used as the disconnet device, the disconnet device shall remain readily operable.
- The apparatus shall not be exposed to dripping or splashing.
- Adequate ventilation with a minimum gap of 15 cm between the ventilation holes and surrounding surfaces is necessary to prevent heat build-up.
- The ventilation should not be impeded by covering the ventilation openings with items, such as newspapers, table-cloths, curtains, etc..
- No objects filled with liquids, such as vases, shall be placed on the apparatus.
- No naked flame sources, such as lighted candles, should be placed on the apparatus.
- The mechanical parts of the set contain self-lubricating bearings and must not be oiled or lubricated.
- To clean the set, use a dry cloth. Do not use any cleaning agents containing alcohol, ammonia, benzene or abrasives as these may harm the housing.

Maintenance & Safety (See [9](#))

CD player and CD handling

- If the CD player cannot read CDs correctly, use a cleaning CD to clean the lens before taking the set to repair.
- The lens of the CD player should never be touched!
- Sudden changes in the surrounding temperature can cause condensation on the lens of your CD player. Playing a CD is then not possible. Do not attempt to clean the lens but leave the set in a warm environment until the moisture evaporates.
- Always close the CD door to avoid dust on the lens.
- To clean the CD, wipe in a straight line from the centre towards the edge using a soft, lint-free cloth. Do not use cleaning agents as they may damage the disc.
- Never write on a CD or attach any stickers to it.

TROUBLESHOOTING

WARNING

Do not open the set as there is a risk of electric shock! Under no circumstances should you try to repair the set yourself, as this will invalidate the guarantee.

If a fault occurs, first check the points listed below before taking the set for repair.

If you are unable to remedy a problem by following these hints, consult your dealer or service centre.

Remote control does not function properly

- Batteries exhausted/ incorrectly inserted
- Insert (fresh) batteries correctly
- Distance/ angle between the set too large
- Reduce the distance/ angle

No sound /power

- Volume not adjusted
- Adjust the VOLUME
- Power cord not securely connected
- Connect the AC power cord properly
- Batteries dead/ incorrectly inserted
- Insert (fresh) batteries correctly

Severe radio hum or noise

- Electrical interference: set too close to TV, VCR or computer
- Increase the distance

Poor radio reception

- Weak radio signal
- FM: Adjust the FM telescopic aerial

noCD indication

- It is set in the USB mode.
- Press **CD/USB** to select CD mode.
- CD badly scratched or dirty
- Replace/ clean CD, see Maintenance
- Laser lens steamed up
- Wait until lens has cleared
- CD-R/CD-RW is blank/ not finalized
- Use a finalized CD-R(W)
- CD-ROM disc inserted/
CD contains non-audio files
- Use CD Audio discs/MP3-CD only/
press **◀◀** or **▶▶** once or more to skip to a CD audio track instead of the data files

Note:

Make sure the CD is not encoded with Copyright protection technologies, as some do not conform to the Compact Disc standard.

The disc skips tracks

- Disc damaged or dirty
- Replace or clean disc
- **SHUF** or **PROG** is active
- Switch off **SHUF/PROG**

Note:

DRM-protected WMA is not supported.

Sound skips during MP3 playback

- MP3 file made at compression level exceeding 320kbps
- Use a lower compression level to record CD tracks into MP3 format
- Disc damaged or dirty
- Replace or clean disc

The USB device doesn't play on my AZ1826.

- It is not set in the USB mode.
- Press **CD/USB** to select USB mode.
- The device is not securely connected to AZ1826's USB port.
- Re-connect the device, and make sure that the device is powered on.
- The device is not supported by AZ1826, or the audio file format stored on the device is not supported by AZ1826.
- Use a compatible device/ playable audio file format.

I cannot use the remote control to select CD or USB.

- The main unit is not set in CD/USB mode
- On the main unit, push **Source selector** to **CD/USB** position, then use the remote control to select **CD** or **USB**.

English

Español

português

Meet Philips at the Internet

<http://www.philips.com>



AZ 1826

**CLASS 1
LASER PRODUCT**



Printed in China

PDCC-JH/ZC-0717

