

PHILIPS

Home theatre

HTD2520



User manual

Super star

Register your product and get support at
www.philips.com/welcome



Manufactured under license from Dolby Laboratories. Dolby and the double-D symbol are trademarks of Dolby Laboratories.



This DivX Certified® device has passed rigorous testing to ensure it plays DivX® video. To play purchased DivX movies, first register your device at vod.divx.com. Find your registration code in the DivX VOD section of your device setup menu.

DivX®, DivX Ultra®, DivX Certified® and associated logos are trademarks of DivX, LLC and are used under license.

DivX Ultra® Certified to play Divx® video with advanced features and premium content.



'DVD Video' is a trademark of DVD Format/Logo Licensing Corporation.

Content

1. Important	04
2. Your home theatre	05
- Main unit- Front	
- Main unit- Back	
- Remote	
3. Home theatre set up	07
- Connect to the TV	
- Connect audio from TV and other devices	
4. Subwoofer and Speaker connections	08
- Subwoofer Front	
- Subwoofer Back	
5. Software update	10
6. Technical specifications	10
7. Troubleshooting	11

1. Important

Read and understand all instructions before you use your home theatre. If damage is caused by failure to follow instructions, the warranty does not apply.

Safety

Risk of electric shock or fire!

- Never expose the product and accessories to rain or water. Never place liquid containers, such as vases, near the product. If liquids are spilt on or into the product, disconnect it from the power outlet immediately. Contact Philips Consumer Care to have the product checked before use.
- Never place the product and accessories near naked flames or other heat sources, including direct sunlight.
- Never insert objects into the ventilation slots or other openings on the product.
- Where the mains plug or an appliance coupler is used as the disconnect device, the disconnect device shall remain readily operable.
- Batteries (battery pack or batteries installed) shall not be exposed to excessive heat such as sunshine, fire or the like.
- Disconnect the product from the power outlet before lightning storms.
- When you disconnect the power cord, always pull the plug, never the cable.

Risk of short circuit or fire!

- Before you connect the product to the power outlet, ensure that the power voltage matches the value printed on the back or bottom of the product. Never connect the product to the power outlet if the voltage is different.

Risk of injury or damage to the home theater!

- For wall-mountable products, use only the supplied wall mount bracket. Secure the wall mount to a wall that can support the combined weight of the product and the wall mount. Koninklijke Philips Electronics N.V. bears no responsibility for improper wall mounting that results in accident, injury or damage.
- For speakers with stands, use only the supplied stands. Secure the stands to the speakers tightly. Place the assembled stands on flat, level surfaces that can support the combined weight of the speaker and stand.
- Never place the product or any objects on power cords or on other electrical equipment.
- If the product is transported in temperatures below 5°C, unpack the product and wait until its temperature matches room temperature before connecting it to the power outlet.

- Visible and invisible laser radiation when open. Avoid exposure to beam.
- Do not touch the disc optical lens inside the disc compartment.
- Parts of this product can be made of glass. Handle with care to avoid injury and damage.

Risk of overheating!

- Never install this product in a confined space. Always leave a space of at least four inches around the product for ventilation. Ensure curtains or other objects never cover the ventilation slots on the product.

Risk of contamination!

- Do not mix batteries (old and new or carbon and alkaline, etc.).
- Danger of explosion if batteries are incorrectly replaced. Replace only with the same or equivalent type.
- Remove batteries if they are exhausted or if the remote control is not to be used for a long time.
- Batteries contain chemical substances, they should be disposed of properly.

Risk of swallowing batteries!

- Keep the battery out of reach of children at all times! If swallowed, the battery can cause serious injury or death. Severe internal burns can occur within two hours of ingestion.
- If you suspect that a battery has been swallowed or placed inside any part of the body, seek immediate medical attention.
- When you change the batteries, always keep all new and used batteries out of reach of children. Ensure that the battery compartment is completely secure after you replace the battery.
- If the battery compartment cannot be completely secured, discontinue use of the product. Keep out of reach of children and contact the manufacturer.



This is CLASS II apparatus with double insulation, and no protective earth provided.

Care for your product

- Do not insert any objects other than discs into the disc compartment.
- Do not insert warped or cracked discs into the disc compartment.
- Always keep discs into the disc compartment if you are not using the product for an extended period of time.
- Use only microfiber cloth to clean the product.

Care of the environment



- Your product is designed and manufactured with high quality materials and components, which can be recycled and reused.



- When this crossed-out wheeled bin symbol is attached to a product it means that the product is covered by the European Directive 2002/96 EC. Please inform yourself about the local separate collection system for electrical and electronic products. Please act according to your local rules and do not dispose of your old products with your normal household waste. Correct disposal of your old product helps to prevent potential negative consequences for the environment and human health.

Copyright



2. Your home theatre

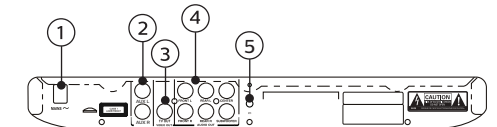
Congratulations on your purchase, and welcome to Philips! To fully benefit from the support that Philips offers, register your home theatre at : www.philips.com/welcome.

Main unit- Front

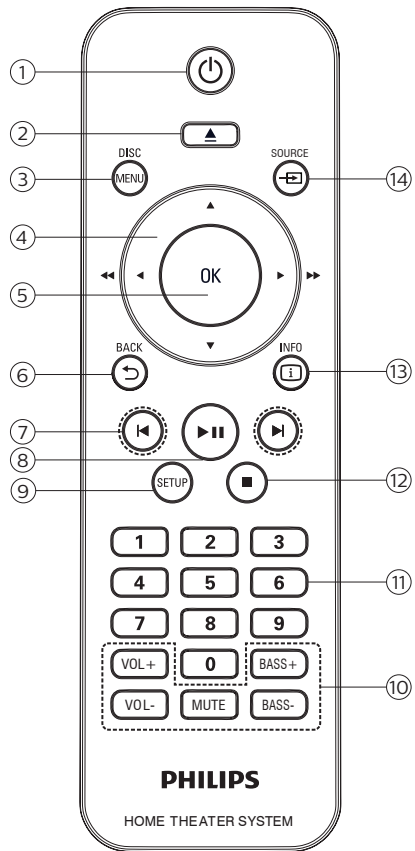


- 1** Disc compartment
- 2** Display panel
- 3** ▲ (Open/Close)
Open or close the disc compartment.
- 4** ▶|| (Play/Pause)
Start, pause or resume play
- 5** ⏻ (Standby-ON)
Switch the home theatre ON or to Standby
- 6** 📶 (USB)
Audio, Video or picture inputs from a USB storage device.

Main unit- Back



- 1** AC Mains
Connect to the power source
- 2** Audio IN
Connect any Audio IN i.e. AUX IN from TV, Mobile etc.
- 3** Video Output
Connect to the composite video input on the TV
- 4** Audio Output 5.1
Connect analog audio output to speaker system
- 5** FM Antenna
Fixed FM antenna. For better reception extend this wire and place it away from any source of radiations like TV etc.



Remote

1. Standby-ON
 - Switch the home theatre on or to standby
2. ▲ (Open/Close)
 - Open or close the disc compartment.
3. Disc Menu - Access or exit the disc menu
4. Navigation buttons
 - Navigate menus
 - In video mode, press left or right to fast backward or fast forward; press up or down to slow forward or slow backward.
 - In radio mode, press left or right to search a radio station; press up or down to fine tune a radio frequency.
5. OK - Confirm an entry or selection.
6. ↶ Return to a previous menu screen.
7. ◀/▶ (Previous/Next)
 - Skip to the previous or next track, chapter or file.
 - In radio mode, select a preset radio station.
8. ▶|| (Play/Pause)
 - Start, pause or resume play.
9. SETUP - Access the home theatre
10. Volume adjustments
 - Increase or decrease volume.
 - Mute or restore volume.
 - Increase or decrease Bass.
11. Numeric buttons- Select an item to play.
12. ■ (Stop)- Stop play.
13. ⓘ INFO
14. -⏏ Source - Select from available options of AUX, DVD, FM, USB

3. Home theatre set up

This section helps you connect your home theatre to a TV and other devices, and then set it up. For information about the basic connections of your home theatre Page no 5, 7 and 9 and for accessories refer page no 10.

Note:

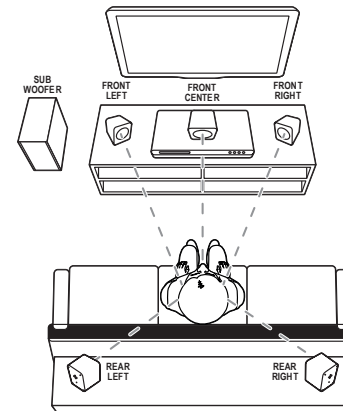
- For identification and supply ratings, see the type plate at the back of the product.
- Before you make or change any connections, make sure that all devices are disconnected from the power outlet.

Connect speakers

Speaker position plays a critical role in setting up a surround sound effect. For best effect, position all the speakers towards the seating position and place them close to your ear level (seated).

Follow these general guidelines for speakers placement.

- 1. Seating position:**
This is the center of your listening area.
- 2. Front center speaker:**
Place the center speaker directly in front of the seating position, either above or below your TV.
- 3. Front left and front right speakers:**
Place the left and right speakers in the front, and at equal distance from the center speaker. Make sure that the left, right, and the center speakers are at equal distance from your seating position.
- 4. Rear left and rear right speakers:**
Place the rear surround speakers to the left and right side of your seating position, either in line with it or slightly behind it.
- 5. Subwoofer:**
Place the subwoofer at least one meter to the left or right of the TV. Leave about 10-centimeter clearance from the wall.



Connect to the TV

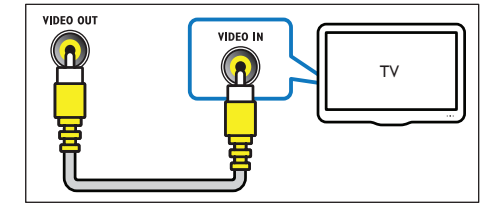
Connect your home theatre directly to a TV through one of the following connectors (from highest to basic quality video)

Composite video

Connect to the TV through composite video (CVBS).

Note:

The composite video cable or connector might be labeled **AV IN** , **VIDEO IN** , **COMPOSITE** or **BASEBAND** .



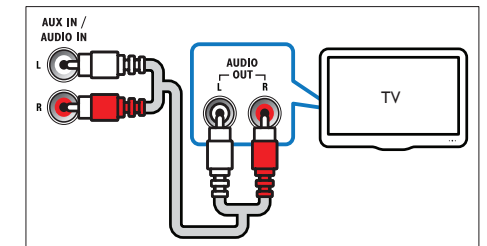
Connect audio from TV and other devices

Use your home theatre to play audio from the TV or other device such as a cable box.

Tips

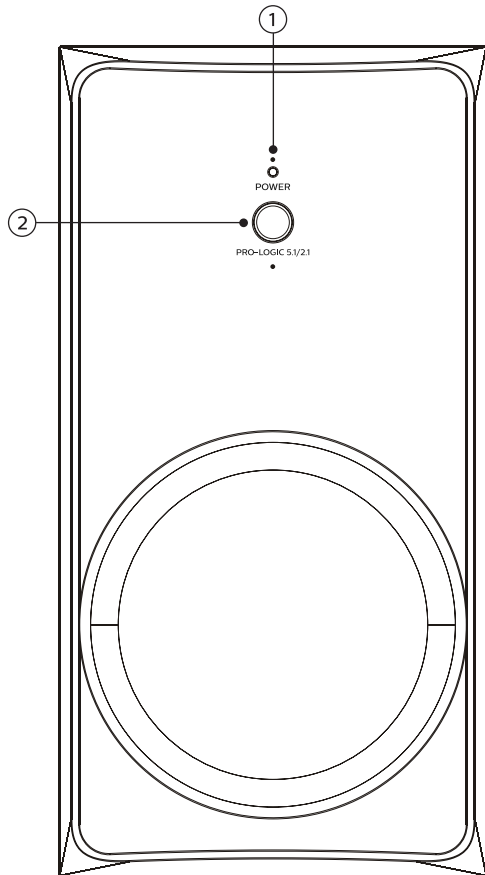
Press **AUX SOURCE** to select the audio output of your connection.

(Cable not supplied)



4. Subwoofer and speaker connections

Subwoofer Front



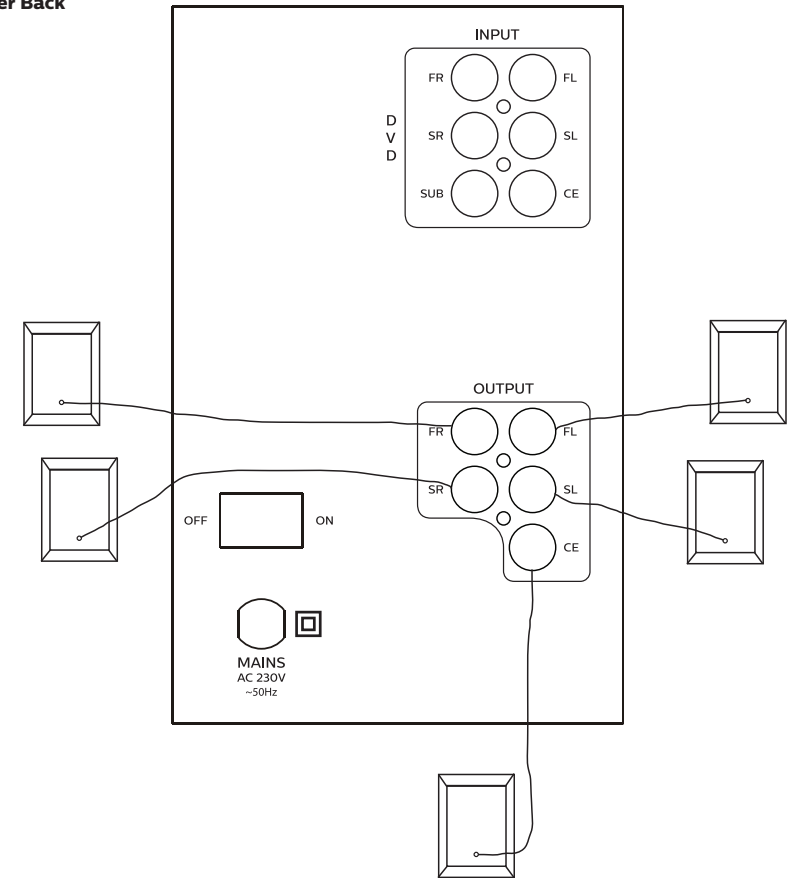
1. POWER

Power LED.

2. PROLOGIC 5.1/2.1

If press it toggles between PROLOGIC ON or OFF, In DVD- real 5.1 output is available in PROLOGIC OFF condition and in DVD with 2.0 output in PROLOGIC ON condition will get 5.1 output.

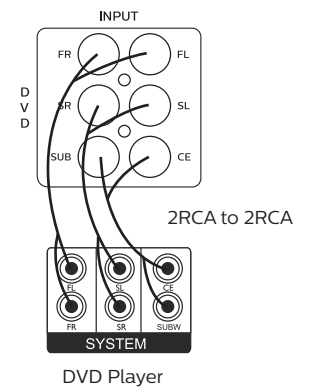
Subwoofer Back



Instructions for system connections

1. Connect the Front Left/Right, Center, Surround Left/Right speaker cables to the appropriate Audio Output Sockets of the amplifier on the back of the Subwoofer.
2. Connect one end of the 2RCA to 2RCA cords provided to the amplifier Input sockets on the back side of the Subwoofer enclosed. Connect the other end to the corresponding Output sockets on the back side of the DVD player.
3. Make sure all the cables are connected correctly.
4. Make the power plug connection to the correct AC outlet.

Connections between System and DVD player when playing a DVD



5. Update software

To check for new updates, compare the current software version of your home theatre with the latest software version (if available) on the Philips web site.

1. Plug in DVD & switch on & connect with TV.
2. Load the software in USB or CD.
3. Insert the USB in DVD & see the display on TV.
4. Press play switch & see processing in TV screen & Do not power off .
5. When the Upgrading complete – the power will be automatic off.

Note – Do not upgrade the software without UPS supply.

6. Product Specifications

Multimedia Amplifier

(Built into the Sub-woofer enclosure)

- Power output (Sub-woofer) - 27W RMS
- (Satellite) - 6.6W x 5 RMS

- Separation - >35db
- Audio Input Socket - RCA type
- Audio Output Socket - RCA type

Satellite speakers

- System - 5 Way, 5 Speakers
- Impedance - 4 Ohms
- Speaker size - 3"
- Frequency Range - 150Hz to 20KHz
- Dimensions (WxHxD) - 105 x 170 x 67 mm
- Weight - 0.58 kg.

Sub-woofer speakers (With Built-in Multimedia Amplifier)

- System - Vented Enclosure
- Impedance - 4 Ohms
- Speaker size - 5.25"
- Frequency Range - 40Hz to 150Hz
- Dimensions (WxHxD) - 170 x 330 x 335 mm
- Weight - 5.4 kg.

Main unit (DVD player)

- Dimensions - 310 x 37 x 210 mm
- Net weight - 1.1 kg.

Connectivity

- Main unit front connection - Hi-speed USB
- Main unit rear connection - Composite video (CVBS) output, AUX-IN
- Sub-woofer rear connection - DVD-IN

Video

- Signal system - PAL / NTSC
- Composite video output - 1 Vpp - 75 Ohm

Audio

- Analog stereo output
- Signal to noise ratio (1 kHz) - >90 db (A- weighted)
- Dynamic range (1 kHz) - >80 db (A- weighted)
- Crosstalk (1 kHz) - >80 db
- Distortion / Noise (1 kHz) - >70 db
- MPEG MP3 - MPEG audio L3

Laser specification

- Type - Semiconductor laser InGaAip(DVD), AlGaAs(CD)
- Wave length - 655nm (DVD), 790nm (CD)
- Output power - 7.0mW (DVD), 10.0mW (CD)
- Beam divergence - 60 degree

FM

- Tuning range - FM87.5 ~ 108MHz

Power

- Power consumption - 90W
- Standby power consumption - <15

Accessories

- Remote Control, User Manual, 2RCA to 2RCA cable (x3), 3RCA cable

7. Troubleshooting

Warning -

Under no circumstances should you try to repair the system yourself, as this will invalidate the warranty. Do not open the system as there is a risk of electric shock. If a fault occurs, first check the points listed below before taking the system for repair. If you are unable to remedy the problem by following hints mentioned in below table, Consult your dealer or PHILIPS APSC for help.

Problem	Solution
1. No power.	Check if the AC power cord is properly inserted into the AC mains socket.
2. No sound or distorted sound.	Adjust the volume / select the correct source to choose the equipment that you want to hear through the system.
3. The remote control does not function properly.	Reduce the distance between the remote control and the system. Replace the batteries with new ones / Point the remote control directly towards the IR sensor (located on front panel of the subwoofer) / Check that the batteries are loaded correctly / Switch off the system for 30 seconds and then restart.
4. Low hum or buzz sound.	Place the product as far away as possible from electrical devices that may be causing interference / Check power supply voltage and consult electrician.
5. There is no sound from center and rear	Make sure center and rear speakers are connected properly. Make sure speaker syetem is in 5.1 mode.
6. The content of the USB / SD flash drive can not be read.	The USB / SD flash drive format is not compatible with the system. Drive is formatted with a different file system which is not supported by this unit (e.g. NTFS)
7. FM not properly tuned.	Match with local frequency.

In case these measures do not work contact the nearest PHILIPS service center or call at customer care numbers.

Warranty

This product is covered under warranty against any defect arising out of faulty or defective material or workmanship for a period of 12 Months from the date of purchase. Should a defect develop during the period of warranty, Gibson Innovations India Private Limited undertakes to repair this product free of charge through an Authorized Philips service center. If the purchaser shifts his residence to other town, the warranty will be valid at the nearest Authorized Philips service center.

The Warranty is not valid in case:

- Proof of purchase is not accompanied with this warranty form
- This warranty form is not completed immediately after purchase
- This product is not used according to this manual
- Defects are caused by improper or reckless use
- Any repair work are done by person other than Authorized Philips service center
- Any modification or alteration of any nature are made in the apparatus
- The serial number is tampered
- Defects due to causes beyond control like lightning, abnormal voltage, Acts of God or while in transit to the purchaser's residence

Maintenance Tips

- Always keep a Disc loaded in this product tray.
- Keep this product from the dusty areas. Keep it covered with a dust cover.
- Clean this product Lens after every 20 Discs played by a Lens cleaner disc.
- Clean the CDs / VCD / DVD / MP3 CD before inserting in this product.

Gibson Innovations India Private Limited

Registered office: Address 4th floor, Block -1, Vatika Business Park, Sector - 49, Sohna Road, Gurgaon - 122018 (Haryana) India

For Any Sales & Service Enquiry:

Email us at PhilipsSound_India@gibson.com

Call us on Tel No. 1800-102-2929 (toll free)

1860-180-1111, 0124-429-1111 "Standard Call rates apply"

Pls fill the following for your reference and warranty validity:-

Serial No: _____

Bill No. & Date of Purchase: _____

Purchaser's Name: _____

Location & Tel No.: _____

Dealer's Name: _____

Location & Tel No: _____

Dealer's Stamp & Sign: _____



2015 Gibson Innovations Limited. All rights reserved. Philips and the Philips' Shield Emblem are registered trademark of Koninklijke Philips N.V. and are used by Gibson Innovations Limited under license from Koninklijke Philips N.V.



HTD2520_94_UM_V1.0