

PHILIPS

TV Wall Mount

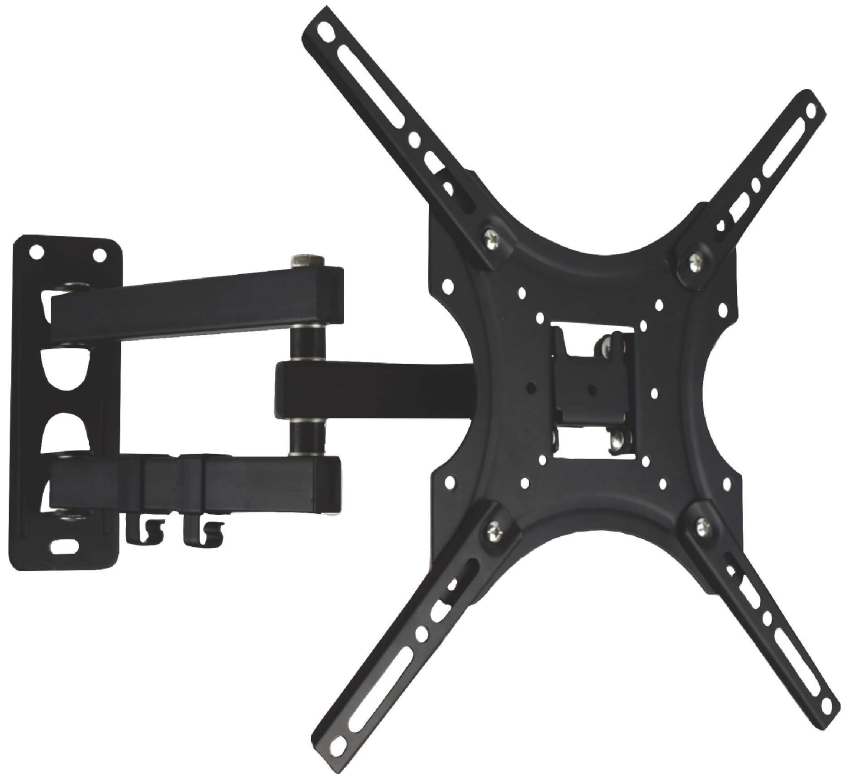
Universal

Full motion

LCD/LED/OLED/QLED
compatible

Flat and curved TV compatible

SQM9232



Universal articulating wall mount

for TV sizes between 26" and 70"

Designed to fit most brands of TV with a focus on safety and ease of use. The easy 1-2-3 installation kit includes necessary hardware for different wall types and templates. Slim but sturdy design for a weight capacity of up to 35 kg (77 lbs).

Easy installation

- Mounting hardware included
- Standard VESA mounting hole pattern
- Up to VESA 400 x 400 mounting
- Level correction
- TV cable management to hide cables for a neater look

Safely mount your TV

- Supports weights of up to 35 kg (77 lbs)
- Screen sizes 26" – 70"

Maximises viewing angles

- Up to 180° swivel
- 5° up and 10° down tilt

Highlights

Up to 180° swivel

Allow the TV to adjust left and right up to 180° to attain the optimum viewing angle.

Level correction

If the wall mount is slightly off-level after it is installed, it allows for level corrections to horizontally mount the TV.

TV cable management

The cable compartment is designed to tuck your cables in neatly behind the television in one place.

Mounting hardware included

Includes all necessary screws, anchors and bolts for different types of walls, ensuring the right type of hardware is readily available for the particular type of wall the support is being mounted on.

Standard VESA mounting hole pa

Standard VESA mounting hole pattern

5° up and 10° down tilt

Allow the TV to be adjusted up to 10° forward tilt and 5° backward tilt to attain the optimum viewing angle.

Screen sizes 26" – 70"

Screen sizes 26" – 70"

Up to VESA 400 x 400 mounting

Up to VESA 400 x 400 mounting

Supports weights of up to 35 kg

Supports weights of up to 35 kg (77 lbs)

Specifications

Outer Carton

Length: 44 cm

Number of consumer packages: 10

Length: 17.3 inch

Width: 23.5 cm

Gross weight: 20 kg

Height: 32.5 cm

GTIN: 1 48 95229 11567 2

Width: 9.3 inch

Height: 12.8 inch

Net weight: 16 kg

Gross weight: 44.092 lb

Net weight: 35.274 lb

Tare weight: 4 kg

Tare weight: 8.818 lb

Packaging dimensions

Height: 4 cm

Packaging type: Carton

Type of shelf placement: Laying

Width: 30.9 cm

Depth: 22.8 cm

Height: 1.6 inch

Number of products included: 1

EAN: 48 95229 11567 5

Width: 12.2 inch

Gross weight: 1.85 kg

Depth: 9.0 inch

Net weight: 1.6 kg

Gross weight: 4.079 lb

Net weight: 3.527 lb

Tare weight: 0.25 kg

Tare weight: 0.551 lb

Accessories

Mounting material included

Dimensions

Wall-mount compatible: 100 x 100 mm, 200 x 100 mm, 200 x 200 mm, 400 x 400 mm

Weight and dimensions

Extension of articulating arm: 42 cm

Wall Distance: 3.2 cm

