

Register your product and get support at

[www.philips.com/welcome](http://www.philips.com/welcome)

AD295



# User manual

# PHILIPS

# Contents

---

|                    |          |
|--------------------|----------|
| <b>1 Important</b> | <b>4</b> |
| Safety             | 4        |

---

|                               |          |
|-------------------------------|----------|
| <b>2 Your docking speaker</b> | <b>5</b> |
| Introduction                  | 5        |
| What's in the box             | 5        |
| Overview                      | 5        |

---

|                  |          |
|------------------|----------|
| <b>3 Prepare</b> | <b>6</b> |
| Connect power    | 6        |

---

|                               |          |
|-------------------------------|----------|
| <b>4 Play</b>                 | <b>7</b> |
| Compatible iPod/iPhone models | 7        |
| Adjust volume                 | 7        |
| Adjust screen brightness      | 7        |
| Charge the iPod/iPhone        | 7        |
| Play from an external device  | 8        |

---

|                         |          |
|-------------------------|----------|
| <b>5 Specifications</b> | <b>9</b> |
| Amplifier               | 9        |
| General information     | 9        |

---

|                          |           |
|--------------------------|-----------|
| <b>6 Troubleshooting</b> | <b>10</b> |
|--------------------------|-----------|

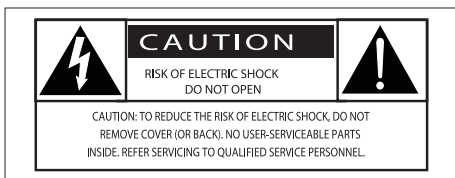
---

|                         |           |
|-------------------------|-----------|
| <b>7 Notice</b>         | <b>11</b> |
| Care of the environment | 11        |
| Copyright               | 11        |
| Trademark notice        | 11        |

# 1 Important

## Safety

Read and understand all instructions before you use this docking speaker. If damage is caused by failure to follow the instructions, the warranty does not apply.



This 'bolt of lightning' indicates uninsulated material within your unit may cause an electrical shock. For the safety of everyone in your household, please do not remove product covering.

The 'exclamation mark' calls attention to features for which you should read the enclosed literature closely to prevent operating and maintenance problems.

**WARNING:** To reduce the risk of fire or electric shock, this apparatus should not be exposed to rain or moisture and objects filled with liquids, such as vases, should not be placed on this apparatus.

**CAUTION:** To prevent electric shock, fully insert the plug. (For regions with polarized plugs: To prevent electric shock, match wide blade to wide slot.)

- Only use attachments/accessories specified by the manufacturer.

- Refer all servicing to qualified service personnel. Servicing is required when the product has been damaged in any way, such as power-supply cord or plug is damaged, liquid has been spilled or objects have fallen into the product, the product has been exposed to rain or moisture, does not operate normally, or has been dropped.
- The product shall not be exposed to dripping or splashing.
- Do not place any sources of danger on the product (e.g. liquid filled objects, lighted candles).
- Where the plug of the direct plug-in adaptor is used as the disconnect device, the disconnect device shall remain readily operable.

### Warning

- Never remove the casing of this apparatus.
- Never lubricate any part of this apparatus.
- Never place this apparatus on other electrical equipment.
- Keep this apparatus away from direct sunlight, naked flames or heat.
- Ensure that you always have easy access to the power cord, plug or adaptor to disconnect the apparatus from the power.

### Note

- The type plate is located on the bottom of the product.

## 2 Your docking speaker

Congratulations on your purchase, and welcome to Philips! To fully benefit from the support that Philips offers, register your product at [www.philips.com/welcome](http://www.philips.com/welcome).

If you contact Philips, you will be asked for the model number and serial number of this product. The model number and serial number are on its bottom. Write the numbers here:

Model No. \_\_\_\_\_

Serial No. \_\_\_\_\_

### Introduction

With this docking speaker, you can:

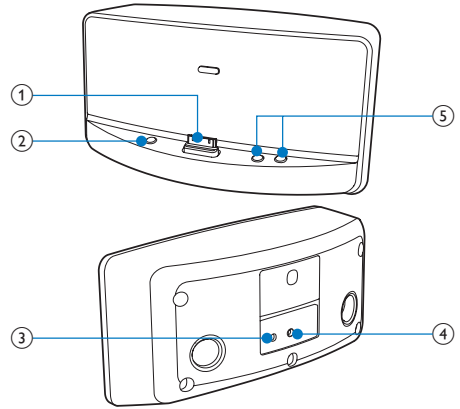
- enjoy music from your iPod/iPhone,
- charge your iPod/iPhone, and
- enjoy music from an external audio player.

### What's in the box

Check and identify the contents of your package:

- Docking speaker
- AC power adaptor
- Quick start guide

### Overview



- ① **Dock for iPod/iPhone**
- ② ✨
  - Adjust the screen brightness of docked iPod touch or iPhone.
- ③ **AUX IN**
  - Connect to an external audio player by MP3 link cable.
- ④ **Power socket**
  - Connect to the power adaptor.
- ⑤ +/-
  - Adjust volume.

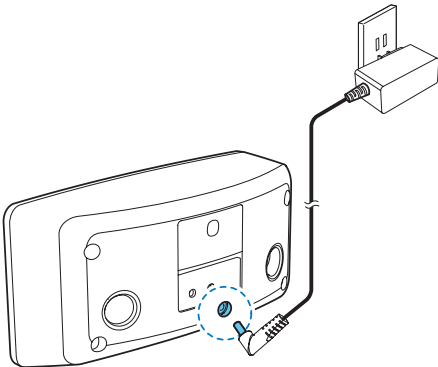
# 3 Prepare

Always follow the instructions in this chapter in sequence.

## Connect power

### ! Caution

- Risk of product damage! Make sure that the power supply voltage matches the voltage printed on the bottom of the unit.
- Risk of electric shock! When you unplug the AC power adaptor, always pull the plug from the socket. Never pull the power cord.
- Before you connect the AC power adaptor, make sure that you have completed all the other connections.



Connect the AC power adaptor to

- the power socket on the back of the docking speaker, and
- the power supply.  
↳ The docking speaker is ready for use.

# 4 Play

## Compatible iPod/iPhone models

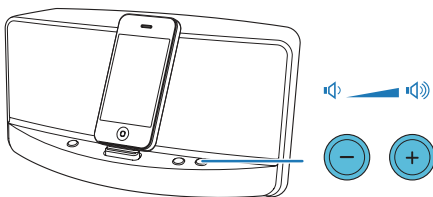
This docking speaker supports the following iPod and iPhone models.

- iPhone 4S
- iPhone 4
- iPhone 3GS
- iPhone 3G
- iPhone
- iPod touch (1st, 2nd, 3rd, and 4th generations)
- iPod nano (1st, 2nd, 3rd, 4th, 5th, and 6th generations)
- iPod classic
- iPod with video
- iPod with color display
- iPod mini

## Adjust volume

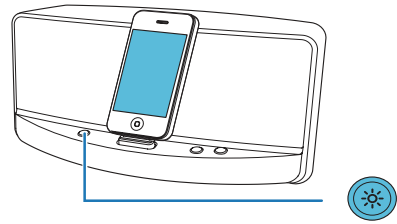
Press +/- repeatedly.

- +: Increase the volume
- -: Decrease the volume



## Adjust screen brightness

To adjust the screen brightness of your iPod touch or iPhone, press  repeatedly.



### Note

- This function is only available for iPod touch (1st, 2nd, 3rd, and 4th generations), iPhone, iPhone 3G, iPhone 3GS, iPhone 4, and iPhone 4S.

## Charge the iPod/iPhone

When this product is connected to power, the docked iPod/iPhone begins to charge.

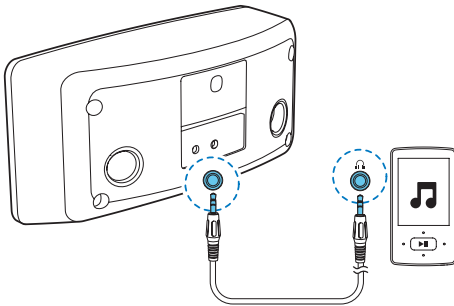
---

## Play from an external device

You can also listen to an external audio player through this product.

### Note

- When an iPod/iPhone is docked and playing music, the docking speaker plays the audio input transferred through the dock. To play audio input that is transferred through the **AUX IN** socket, pause/stop the music play on the docked iPod/iPhone, or remove the iPod/iPhone.



- 1 Connect the MP3 link cable to
  - the **AUX IN** socket on the back panel of this product, and
  - the audio output socket (usually the headphone socket) of the external audio player.
- 2 Play the external audio player (refer to its user manual for details).

# 5 Specifications



## Note

- Specifications are subject to change without notice.

---

## Amplifier

|                       |                   |
|-----------------------|-------------------|
| Rated output power    | 2 X 2 W RMS       |
| Signal-to-noise ratio | 65 dB             |
| AUX IN                | 0.6 V RMS 10 kohm |

---

## General information

|                                     |   |
|-------------------------------------|---|
| AC power adaptor                    | Input: 100-240 V ~,<br>50/60Hz, 0.35 A;<br>Output: 5.0V $\overline{=}$ , 2,000 mA<br>Model No.:Y12FE-050-2000C<br>Brand name: Philips |
| Operation power consumption         | < 10 W  |
| Standby power consumption           | < 1 W   |
| Dimensions of main unit (W x H x D) | 216 x 102 x 112 mm  |
| Weight of main unit                 | 0.68 kg   |



# 6 Troubleshooting



## Warning

- Never remove the casing of this product.

To keep the warranty valid, never try to repair the product yourself.

If you encounter problems when using this product, check the following points before requesting service. If the problem remains unsolved, go to the Philips Web page ([www.philips.com/support](http://www.philips.com/support)). When you contact Philips, make sure that the product is nearby and the model number and serial number are available.

### No power

- Make sure that the AC power adaptor of this product is connected properly.
- Make sure that there is power at the AC outlet.

### No sound

- Adjust the volume.

### Docked iPod/iPhone can't be charged.

- Make sure that the iPod/iPhone is compatible with this product.
- Make sure that the iPod/iPhone is securely docked.
- Remove the protective case of your iPod/iPhone.
- Make sure that the power supply is available.

# 7 Notice

Any changes or modifications made to this device that are not expressly approved by Philips Consumer Lifestyle may void the user's authority to operate the equipment.

---

## Care of the environment



Your product is designed and manufactured with high quality materials and components, which can be recycled and reused.



When this crossed-out wheeled bin symbol is attached to a product it means that the product is covered by the European Directive 2002/96/EC. Please inform yourself about the local separate collection system for electrical and electronic products.

Please act according to your local rules and do not dispose of your old products with your normal household waste.

Correct disposal of your old product helps to prevent potential negative consequences for the environment and human health.

### Environmental information

All unnecessary packaging has been omitted. We have tried to make the packaging easy to separate into three materials: cardboard (box), polystyrene foam (buffer) and polyethylene (bags, protective foam sheet.)

Your system consists of materials which can be recycled and reused if disassembled by a specialized company. Please observe the local regulations regarding the disposal of packaging materials, exhausted batteries and old equipment.

---

## Copyright

2012 © Koninklijke Philips Electronics N.V. Specifications are subject to change without notice. Trademarks are the property of Koninklijke Philips Electronics N.V or their respective owners. Philips reserves the right to change products at any time without being obliged to adjust earlier supplies accordingly.

---

## Trademark notice



"Made for iPod" and "Made for iPhone" mean that an electronic accessory has been designed to connect specifically to iPod or iPhone respectively, and has been certified by the developer to meet Apple performance standards. Apple is not responsible for the operation of this device or its compliance with safety and regulatory standards. Please note that the use of this accessory with iPod or iPhone may affect wireless performance. iPod and iPhone are trademarks of Apple Inc., registered in the U.S. and other countries.



Specifications are subject to change without notice  
© 2012 Koninklijke Philips Electronics N.V.  
All rights reserved.

AD295\_93\_UM\_V1.0

