

PHILIPS

Speaker

TAVS700



EN Quick Start Guide

ZH-CN 快速入门指南

Register your product and get support at
www.philips.com/welcome



EN

Safety

Important Safety Instructions

- Read these instructions.
- Keep these instructions.
- Heed all warnings.
- Follow all instructions.
- Make sure that the power supply voltage corresponds to the voltage on the back or the underside of the unit.
- Do not use this apparatus near water.
- Clean only with dry cloth.
- Do not block any ventilation openings. Install in accordance with the manufacturer's instructions.
- Do not install near any heat sources such as radiators, heat registers, stoves, or other apparatus (including amplifiers) that produce heat.
- Protect the power cord from being walked on or pinched, particularly at plugs, convenience receptacles, and the point where they exit from the apparatus.
- Only use attachments/accessories specified by the manufacturer.
- Unplug this apparatus during lightning storms or when unused for long periods of time.
- Refer all servicing to qualified service personnel. Servicing is required when the apparatus has been damaged in any way, such as power-supply cord or plug is damaged, liquid has been spilled or objects have fallen into the apparatus, the apparatus has been exposed to rain or moisture, does not operate normally, or has been dropped.
- Apparatus shall not be exposed to dripping or splashing.
- Do not place any sources of danger on the apparatus (e.g. liquid filled objects, lighted candles).
- Use only power supplies listed in the user manual.
- Where the MAINS plug or an appliance coupler is used as the disconnect device, the disconnect device shall remain readily operable.



Warning

- Never remove the casing of this unit.
- Never lubricate any part of this unit.
- Place this unit on a flat, hard and stable surface.
- Never place this unit on other electrical equipment.
- Only use this unit indoors. Keep this unit away from water, moisture and liquid-filled objects.
- Keep this unit away from direct sunlight, naked flames or heat.

Notice

Any changes or modifications made to this device that are not expressly approved by Philips Consumer Lifestyle may void the user's authority to operate the equipment.

Disposal of your old product

Your product is designed and manufactured with high quality materials and components, which can be recycled and reused.

Never dispose of your product with other household waste. Please inform yourself about the local rules on the separate collection of electrical and electronic products and batteries. The correct disposal of these products helps prevent potentially negative consequences on the environment and human health.

Please visit www.recycle.philips.com for additional information on a recycling center in your area.

Environmental information

All unnecessary packaging has been omitted. We have tried to make the packaging easy to separate into three materials: cardboard (box), polystyrene foam (buffer) and polyethylene (bags, protective foam sheet.)

Your system consists of materials which can be recycled and reused if disassembled by a specialized company. Please observe the local regulations regarding the disposal of packaging materials, exhausted batteries and old equipment.

ZH-CN

注意事项

安全

- 阅读这些说明。
- 注意所有警告。
- 遵循所有说明。
- 确保电源电压与设备背面或底部的电压相对应。
- 不要在靠近水的地方使用本设备。
- 只能使用干布进行清洁。
- 不要堵塞任何通风口。按照制造商的说明进行安装。
- 不要在任何热源附近安装，如散热器、蓄热器、炉具或其它发热设备（包括功放器）。
- 防止电源线被踩踏或挤压，特别是在插头、电源插座和设备电源线出口位置。
- 仅使用制造商指定的附件/配件。
- 在雷电天气期间或长期不用的情况下，请拔下本设备的电源插头。
- 所有维修均应由合格的维修人员来执行。本设备有任何损坏时，如电源线或插头损坏、液体泼溅到、物体跌落到设备内、设备淋雨或受潮、无法正常运行或者跌落，均需要进行维修。
- 切勿将本设备暴露在漏水或溅水环境下。
- 不要将任何危险源放在本设备上（例如装有液体的物体、点燃的蜡烛）。
- 电源线的插头或器具耦合器的插头用作为断开设备，则断开设备应可以随时使用。
- 从墙上插座断开电源线时，请拔下插头而不是拔下电源线。



警告

- 切勿拆下本产品的外壳。
- 切勿润滑本装置的任何部件。
- 将本机放置在平坦、坚硬和稳定的表面上。
- 切勿将本机放在其它电器设备上面。
- 使本机远离水、湿气和充满液体的物体。
- 应让本机远离阳光直射、明火或高温。

注意

如果用户未经 MMD Hong Kong Holding Limited 的明确许可而擅自对此设备进行更改或修改，则可能导致其无权操作此设备。

飞利浦及飞利浦盾牌标志是 Koninklijke Philips N.V. 的注册商标经 Koninklijke Philips N.V. 许可，由 MMD Hong Kong Holding Limited 使用。

旧产品的处理

本产品采用可回收利用的高性能材料和组件制造而成。切勿将本产品与其它生活垃圾一起处理。请自行了解当地关于分类收集电子及电气产品的规定。正确弃置这些产品有助于避免对环境和人体健康造成潜在的负面影响。

关于您所在地区回收中心的更多信息，请访问 www.recycle.philips.com。

环境信息

已省去所有不必要的包装。我们努力使包装易于分为三种材料：纸板（盒）、泡沫塑料（缓冲物）和聚乙烯（袋、保护性泡沫片）。

您的系统包含可回收利用的材料（如果由专业公司拆卸）。请遵守当地有关包装材料和旧设备的处理的规定。

规格如有更改，恕不另行通知。MMD Hong Kong Holding Limited 保留随时更改产品的权利，而且没有义务对较早前提供的产品进行相应的调整。



II 类设备符号：
具有双重绝缘的 II 类设备，不提供保护接地。



仅适用于海拔2000m以下地区安全使用。

EN

General information

Power requirement	220-240V-50/60Hz
Power consumption	22W
Dimensions (W x H x D)	335 x 185 x 148 mm
Weight (Main Unit)	2.52 kg

Tuner

Tuning Range	FM: 87.5 - 108 MHz
--------------	--------------------

Amplifier

Output Power	10W x 2
Frequency Response	100 - 20000 Hz
Signal to Noise Ratio	> 70 dB

Speakers

Speaker Impedance	4Ω
Speaker Maximum Input Power	10W
Speaker Driver	3 inch full range

Bluetooth

Bluetooth version	5.0
Frequency range	2402 - 2480 MHz
Maximum power transmitted	5dBm
Maximum communication range	approx. 10m
Compatible Bluetooth profiles	A2DP

Note: Design and specifications are subject to change without prior notice.

ZH-CN 一般信息

交流电源	220-240V-50/60Hz
消耗功率	22W
主机尺寸 (宽 x 高 x 厚)	335 x 185 x 148 mm
重量 (主机)	2.52 kg

FM

频率范围	FM: 87.5 - 108 MHz
------	--------------------

功放器

输出功率	10W x 2
频率响应	100 - 20000 Hz
信噪比	>70dB

喇叭

喇叭阻抗	4Ω
喇叭最大输入功率	10W
喇叭驱动器	3英寸 (全频)

蓝牙

蓝牙版本	5.0
频率范围	2402 - 2480 MHz
最大传输功率	5dBm
最大通信距离	约10m
兼容的蓝牙模式	A2DP

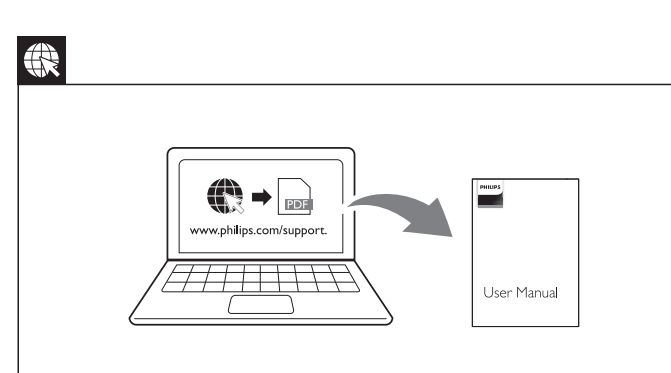
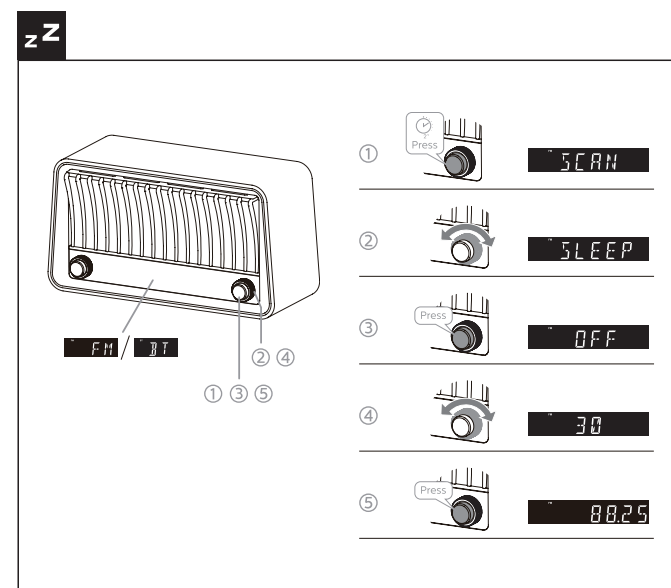
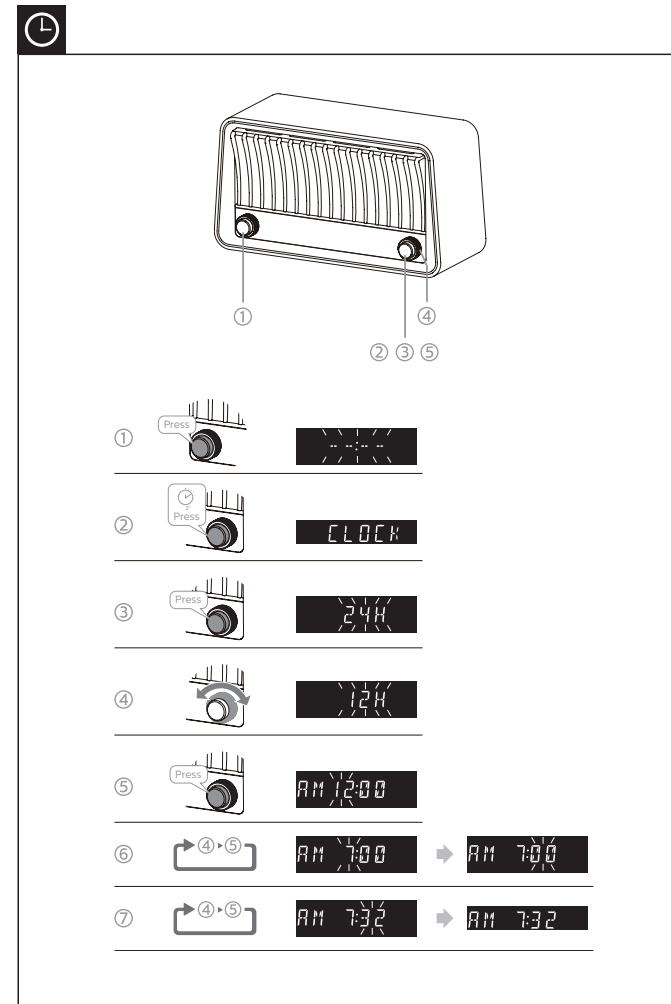
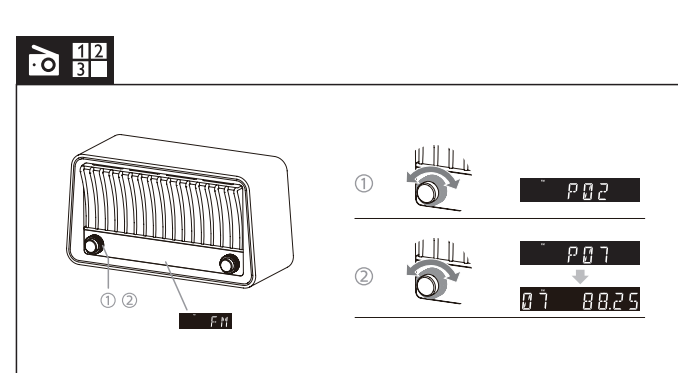
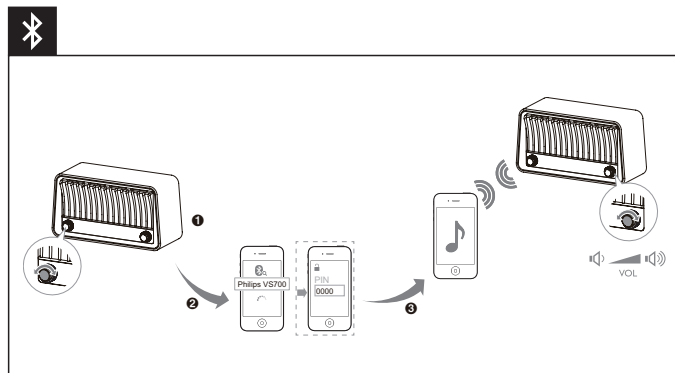
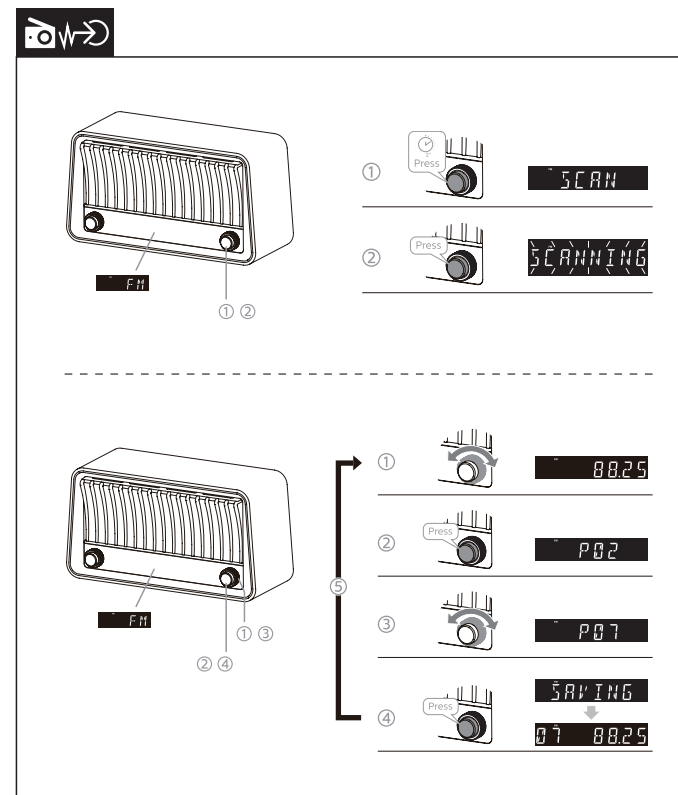
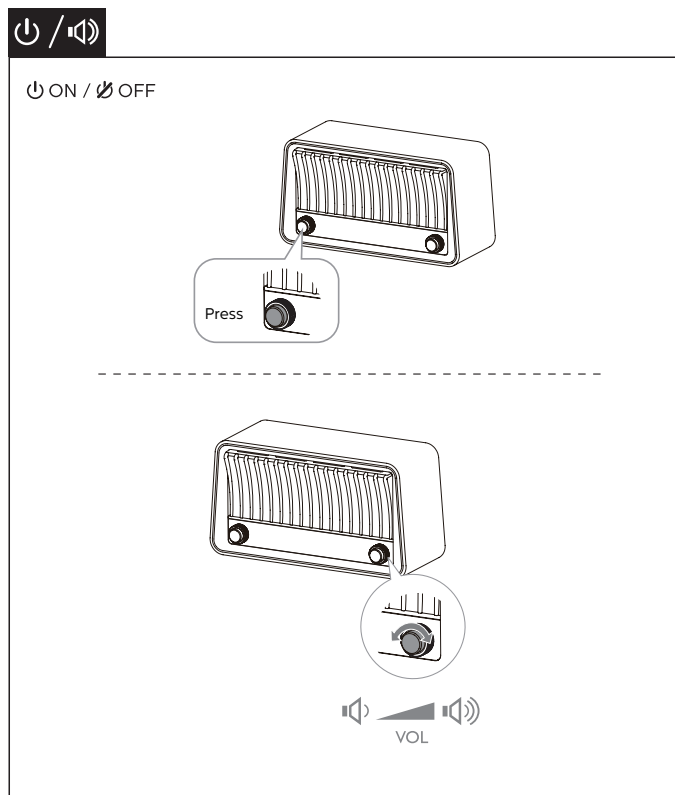
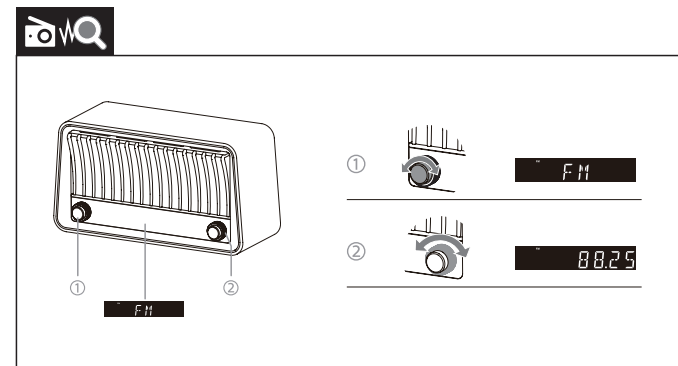
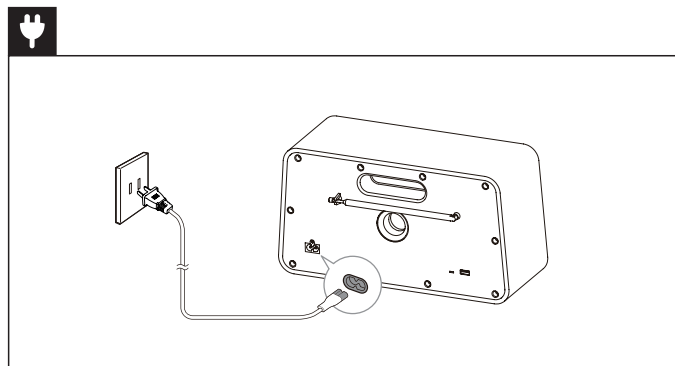
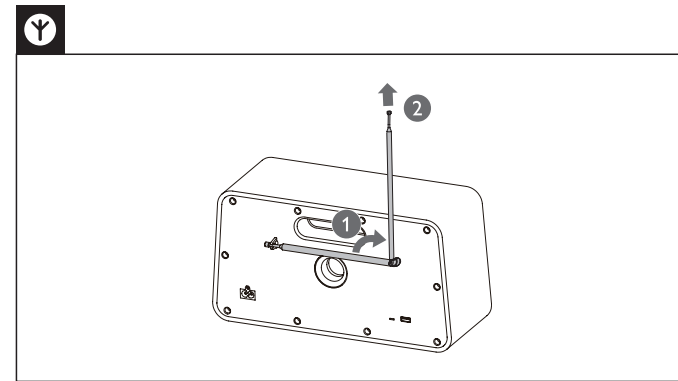
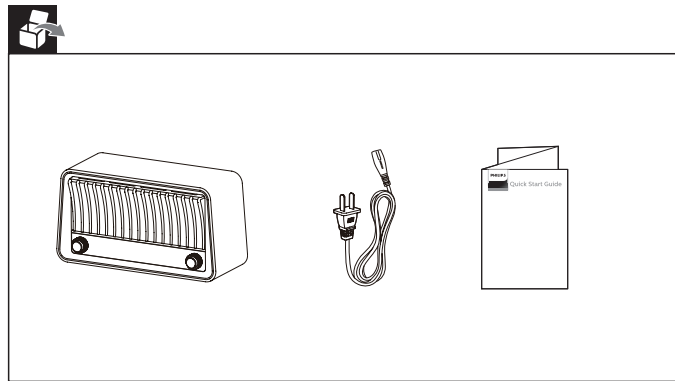
注：设计和规格如有更改，恕不另行通知。



Philips and the Philips Shield Emblem are registered trademarks of Koninklijke Philips N.V. and are used under license. This product has been manufactured by and is sold under the responsibility of MMD Hong Kong Holding Limited or one of its affiliates, and MMD Hong Kong Holding Limited is the warrantor in relation to this product.



TAVS700_93_QSG_V1.0



产品中有害物质的名称及含量

部件名称	有害物质					
	铅(Pb)	汞(Hg)	镉(Cd)	六价铬(Cr(VI))	多溴联苯(PBB)	多溴二苯醚(PBDE)
外壳	0	0	0	0	0	0
喇叭单元	0	0	0	0	0	0
电路板组件	X	0	0	0	0	0
附件 (电源线, 连接线)	X	0	0	0	0	0

本表格依据SJ/T 11364的规定编制。

○：表示该有害物质在该部件所有均质材料中的含量均在 GB/T 26572 标准规定的限量要求以下。
 ×：表示该有害物质至少在该部件的某一均质材料中的含量超出 GB/T 26572 标准规定的限量要求。

备注：以上打“×”的部件，应功能需要，部分有害物质含量超过GB/T 26572规定的限量要求，但符合欧盟RoHS法规要求（属于豁免部分）。



标志表示的期间（10年）是电子电气产品中有有害物质在正常使用的条件下不会发生外泄或突变，电子电气产品用户使用该电子电气产品不会对环境造成严重污染或对其人身、财产造成严重损害的期限。