

Quick Start Guide

DVP 1120
DVD Video Player



What's in the box?

DVD Video Player

User Manual

Composite Video Cables

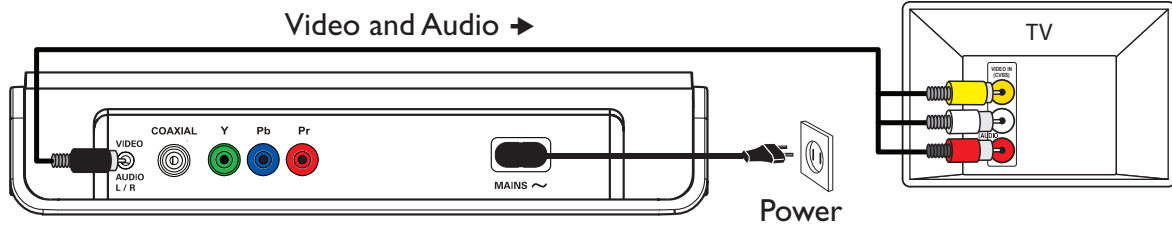
Remote Control and 2 AAA batteries



Connect

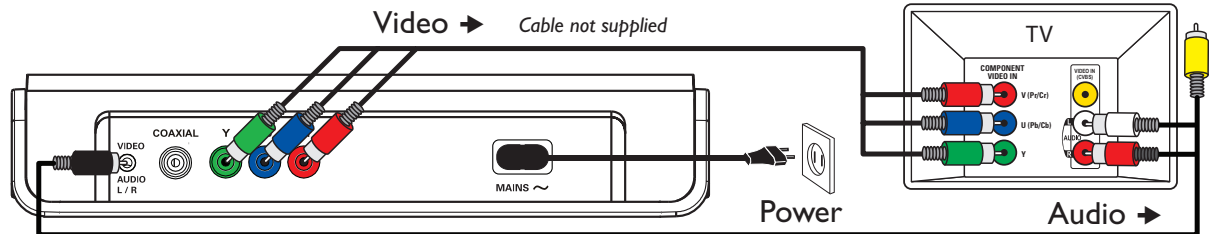
Basic Audio/Video Connections

Composite Video CVBS (Good Quality)



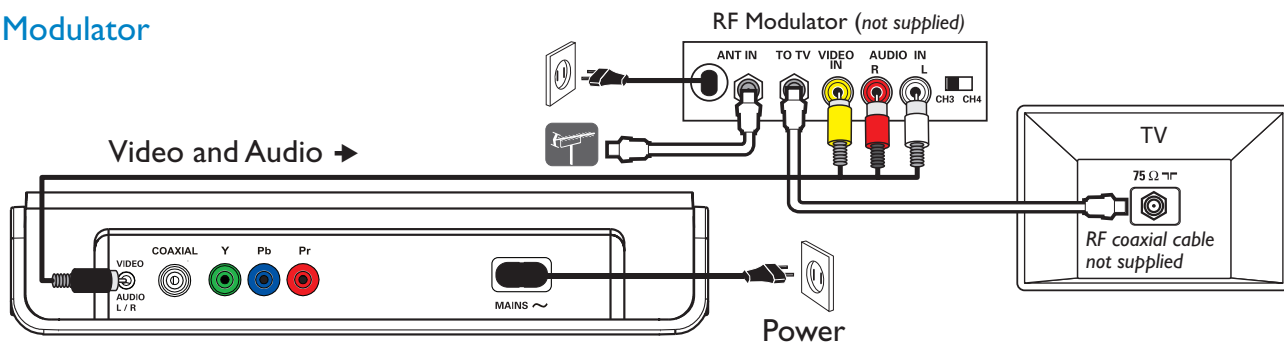
OR

Component Video (Better Quality)



OR

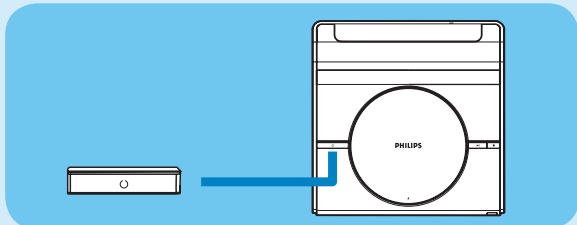
RF Modulator



2 Set up

A Finding the viewing channel

- 1 Press **⏻** (STANDBY-ON) on this unit to turn it on.



- 2 Turn on the TV. Use the TV's remote control to select the correct viewing channel.

Note To search for the correct viewing channel, press the Channel Down button on the TV's remote control repeatedly (or AV, SELECT, **⏻** button) until you see the Video In channel. If you are using a RF modulator, set the TV to channel 3 or 4.

See the accompanying user manual on 'Getting started' for more information.

B Select the display language on the screen

- 1 Press **SETUP**.



- 2 Move to { Language } in the menu and press **▶**.
- 3 Use **▲▼** keys to select { OSD Language } in the menu and press **▶**.
- 4 Select a language and press **OK** to confirm.

Note The language set here is only for the menus that are shown on the TV while operating this unit, not for the DVD disc menu.

There are various setup options available on this unit. Refer to the user manual for more information.

Need help? User Manual

See the user manual that came with your Philips DVD Player

Online

Register your product and get support at www.philips.com/welcome

Hotline

Call 1-888-PHILIPS (1-888-744-5477) for our operators.

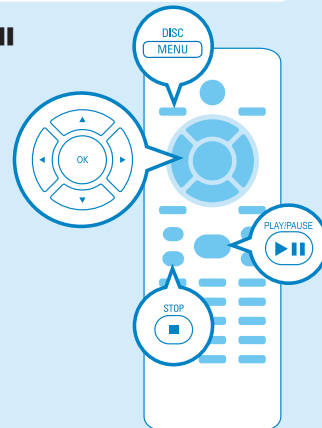
3 Enjoy

A Start disc playback

- 1 Playback may start automatically when a disc has been loaded in the disc tray.

Note If a disc menu appears on the TV, use **▲▼◀▶** keys to navigate in the DVD menu.

- 2 Press **PLAY/PAUSE ▶||** to start playback.
- 3 To stop playback, press **STOP ■**.



Troubleshooting

For more troubleshooting tips, see the user manual.

No power

- Check if the AC power cord is properly connected.
- Press the STANDBY-ON on the top panel of this unit to turn on the power.

No picture

- Check connection to TV and ensure the plugs are firmly in place.

No sound or distorted sound

- Check audio connections and make sure that the connected audio device is turned on.

Remote control does not work

- Check the batteries are loaded correctly or replace the batteries with new ones.
- Reduce the distance between the remote control and this unit.
- Point the remote control directly toward the IR sensor.

2008 © Philips Consumer Lifestyle
A Division of Philips Electronics North America Corp
P.O. Box 671539
Marietta, GA 30006-0026

Printed in China
0816/37_eng1

 Be responsible
Respect copyrights