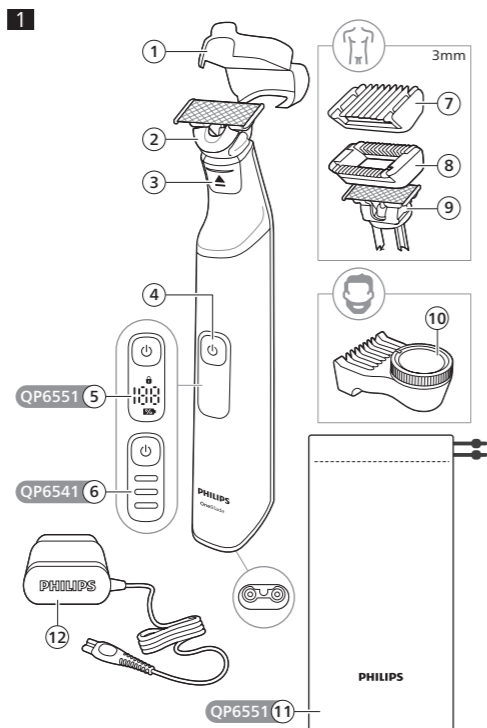


PHILIPS

OneBlade

QP6541, QP6551



English

IMPORTANT SAFETY INSTRUCTIONS

When using an electric product, basic precautions should always be followed, including the following: **Read all instructions before using this product.**

DANGER

- To reduce the risk of electric shock:
- Do not reach for a corded product that has fallen into water.
- Keep the power cord dry.
- Do not place or store the product where it can fall or be pulled into a tub or sink.
- This product does not work while it is connected to the power outlet.
- Remove power cord from power outlet and product before cleaning.

WARNING
To reduce the risk of burns, fire, electric shock, or injury to persons:

- This product is not intended for use by persons (including children) with reduced physical, sensory or mental capabilities...
- Never operate this product if it has a damaged power cord...
- Always check cutting units and other attachments and accessories before you use the product.
- Plug power cord directly into power outlet.
- Only use the power cord and other accessories supplied with the product.
- The batteries used in this product may present a fire or chemical burn hazard if mistreated.
- Do not cut off the power plug to replace it with another plug...
- If the product becomes abnormally hot or smelly, changes color or if charging takes longer than usual...
- Do not place products and their batteries in microwave ovens or on induction cookers.
- Do not open, modify, pierce, damage or dismantle the product or battery to prevent batteries from heating up or releasing toxic or hazardous substances.
- If batteries are damaged or leaking, avoid contact with the skin or eyes.

Electromagnetic fields (EMF)

This Philips appliance complies with all applicable standards and regulations regarding exposure to electromagnetic fields.

SAVE THESE INSTRUCTIONS

IMPORTANT INFORMATION

- This appliance is waterproof (Fig. 3). It is suitable for use in the bath or shower and for cleaning under the tap.
- Because of hygiene, only one person should use the appliance.
- Switch off the appliance before removing or attaching attachments and before cleaning.
- Clean the appliance after each use (see 'Cleaning').

Introduction

Congratulations on your purchase and welcome to Philips! To fully benefit from the support that Philips offers, register your product at www.philips.com/welcome.

You can find the model number on the back of your product.

The full model number (e.g. QP1234/56) is located on the bottom of the packaging, your receipt or order confirmation.

General description (Fig. 1)

- 1 Protection cap
2 Blade
3 Blade release slide switch
4 On/off button
5 Battery charge indicator (QP6551)
6 Battery charge indicator (QP6541)
7 Click-on body comb 3 mm
8 Click-on skin guard
9 Extra blade
10 Precision trimming comb
11 Pouch (QP6551)
12 Power plug

The display

Battery low QP6541

When the battery is almost empty, the bottom light of the battery charge indicator starts flashing orange (Fig. 4).

QP6551

When the appliance is almost empty, the battery symbol flashes orange. The remaining battery capacity is indicated by the battery charge percentage on the display (Fig. 5).

Charging QP6541

When the appliance is charging, the bottom charging light starts flashing white, then the next one and so on.

QP6551

When the appliance is charging, the battery charge percentage and the battery symbol flash white. The battery charge is indicated by the battery charge percentage shown on the display.

Battery full QP6541

When the appliance is fully charged, all lights of the battery charge indicator light up white.

QP6551

When the battery is fully charged, the battery charge percentage on the display shows 100% and the charge symbol lights up continuously.

Remaining battery charge QP6541

The remaining battery charge is indicated by the lights of the battery charge indicator that light up continuously.

QP6551

The remaining battery charge is indicated by the battery charge percentage shown on the display.

Charging

- Charging takes approx. 1 hour.
- Charge the appliance before first use and when the display indicates that the battery is almost empty.
- Charging or using the appliance at temperatures below 5 °C or higher than 35 °C adversely affects the lifespan of the battery.
- If the appliance is subjected to a major change in temperature, pressure or humidity, let the product acclimatize for 30 minutes before use.

Charging with the power plug

- 1 Make sure the appliance is switched off.
2 Insert the small plug into the appliance and put the power plug in any 120V AC outlet.
3 After charging, remove the supply unit from the wall socket and pull the small plug out of the appliance.

Note: Approx. 30 minutes after the battery is fully charged or when you disconnect the appliance from the wall socket, the battery charge indicator switches off automatically.

Operating time

When the appliance is fully charged, it has a cordless operating time up to 90 minutes (QP6541) or up to 120 minutes (QP6551).

Quick charge QP6541

During quick charge, all three lights of the battery charge indicator light up. After approx. 5 minutes of charging, the appliance contains enough energy for 5 minutes of use.

QP6551

During quick charge, the battery charge symbol flashes white and the battery charge percentage counts up to 7. The appliance now contains enough energy for 5 minutes of use. When quick charge is finished, the battery charge symbol flashes white and the battery charge percentage counts up to 100.

QP6551

During quick charge, the battery charge symbol flashes white and the battery charge percentage counts up to 7. The appliance now contains enough energy for 5 minutes of use. When quick charge is finished, the battery charge symbol flashes white and the battery charge percentage counts up to 100.

Using the appliance

- Trimming is easier when the skin and hair are dry.
- Trim with the trimming comb to obtain a certain length.
- Edge without comb to create perfect edges and sharp lines.
- Take your time when you first start to use the appliance.
- Allow some time for the skin to get adjusted to the appliance.
- Use the blade on a clean face. The blades go blunt faster if on skin that isn't clean.

- Do not use the blade when damaged or broken. Replace the blade immediately if it is damaged.

The face blade and the stubble combs are for use on facial hair. They are not intended for shaving, edging or trimming hairs on lower body parts or scalp hair.

Switching the appliance on and off

- 1 To switch the appliance on or off, press the on/off button once.

Face

Shaving tips and tricks

- Shave off any length of hair. The appliance does not shave as close as a traditional blade so your skin will stay comfortable.
- Make long strokes while pressing lightly.
- You can use the appliance dry or wet with gel or foam.
- Shaving a clean beard and face gives the best results.

Shaving

Before you use the appliance, always check the blade for damage or wear. If the blade is damaged or worn, do not use the appliance, as injury may occur. Replace a damaged blade before you use the appliance.

- 1 Switch on the appliance.
2 Place the blade on the skin and move the appliance up or against the grain in long strokes while you press it lightly (Fig. 7).
3 Switch off and clean the appliance after every use (see 'Cleaning and maintenance' 'Cleaning').

Note: Make sure you hold the surface of the blade flat against your skin (Fig. 8).

You can also use both edges of the blade to create sharp lines and perfect edges. Hold the appliance in such a way that the blade is perpendicular to the skin and one of its edges touches the skin. This allows more precise detailing of sideburns and the area around the mouth and nose.

- 1 Switch on the appliance.
2 Place the edge of the blade perpendicular onto the skin (Fig. 9).
3 Make straight strokes while applying gentle pressure (Fig. 11).
4 Switch off and clean the appliance after every use (see 'Cleaning and maintenance').

Using the precision trimming comb

- The precision trimming comb allows you to trim hair to different lengths.
- The settings on the wheel correspond to the remaining hair length after trimming in millimeters.
- Always trim in the direction of the teeth of the precision trimming comb, making sure that the flat part of the comb is in full contact with the skin for an even trimming result.
- Since all hairs do not grow in the same direction, you may want to try different trimming directions (i.e. upwards, downwards, or across).
- Make sure to always move the appliance against the grain.
- Trimming is easier when the skin and hair are dry.
1 Place the front part of the comb onto the blade and push the projection at the back of the comb into the appliance ('click') (Fig. 13).
2 Turn the hair length setting wheel to select the desired hair length setting (Fig. 14).
3 Turn the hair length setting wheel to select the desired hair length setting (Fig. 14).
4 Place the comb onto the skin and move the appliance upwards slowly, against the grain.
5 Switch off and clean the appliance after each use.
6 To remove the comb, pull the back part off the appliance and then slide the comb off the blade. (Fig. 15)

Body

- For hygienic reasons, only use the body blade for trimming and shaving your body.
- For body trimming and shaving, make sure the hair is clean and dry as wet hair tends to stick to the body.
- When shaving sensitive areas, always use the skin guard.
- Since all hairs do not grow in the same direction, you may want to try different trimming directions (i.e. upwards, downwards, or across).
- For the best result, move the product against the grain.
- Make long strokes while pressing lightly.
- Use the product dry or wet with gel or foam, even in the shower.
- Shaving a clean body gives the best results.

Shaving with skin guard

For optimal performance, use the skin guard only on sensitive areas (for example the groin and armpits).

- 1 Hold the skin guard on both sides and press it onto the blade (Fig. 16).
2 Switch on the product.
3 Place the skin guard onto the skin and stretch the skin with your free hand.
- When using the product on your armpits, raise your arm and put your hand on the back of your head to stretch the skin (Fig. 17).
- Regularly remove cut hair from the guard. If a lot of hair has accumulated in the guard, remove it from the product and blow and/or shake out the hairs.
- 4 Switch off and clean the product after each use.

- 5 To remove the skin guard, put one finger under the edge of the guard and press on the blade with your thumb (Fig. 18).

Shaving without skin guard

The body blade without the skin guard allows you to shave hair on your body below the neckline (for example the chest).

- 1 Switch on the product.
2 Place the blade on the skin and move the product against the grain in long strokes while pressing lightly. Stretch the skin with your free hand.

Note: Make sure you hold the surface of the blade flat against your skin (Fig. 8).

- 3 Switch off and clean the product after each use (see 'Cleaning').

Trimming with body comb

The 1/8 inch (3 mm) body comb allows you to trim hair on your body below the neckline (for example chest, armpits, groin).

- 1 Hold the body comb on both sides and press onto the blade (Fig. 19).
2 Switch the product on.
3 Place the comb onto the skin and stretch the skin with your free hand.
- Make sure that the flat part of the comb is always in full contact with the skin to obtain an even trimming result.
- When you use the product on your armpits, raise your arm and put your hand on the back of your head to stretch the skin.
- Regularly remove cut hair from the guard. If a lot of hair has accumulated in the guard, remove it from the product and blow and/or shake out the hairs.
- 4 Switch off and clean the product after each use (see 'Cleaning').
5 To remove the comb, hold it on both sides and pull it off the blade (Fig. 21).

Cleaning and maintenance

Clean the appliance after every use. **Never use compressed air, scouring pads, abrasive cleaning agents or aggressive liquids such as petrol or acetone to clean the appliance.**

Do not tap the appliance against a surface to remove water from it, as this may cause damage. Replace the blade if it is damaged.

Never dry the blade with a towel or tissue, as this may cause damage.

Cleaning the appliance

- 1 Switch off the appliance.
2 Remove the comb from the blade (Fig. 15).
3 Blow off any hairs that have accumulated on the blade and/or comb.
4 Switch on the appliance for approx. 15 seconds and rinse the blade with lukewarm water.
5 Rinse the comb for approx. 15 seconds with lukewarm water.
6 Carefully shake off excess water and let all parts air dry completely.

Note: The blade is fragile. Handle it carefully. Replace the blade immediately if it is damaged.

Storage

- We advise you to let the appliance and its attachments dry completely before you store them for the next use.
- 1 Place the protection cap onto the edge of the blade (Fig. 22).
2 Close the protection cap (Fig. 23).
- Store the appliance in the pouch supplied. Make sure the appliance and attachments are completely dry before storing in the pouch.

Travel lock

Note: The travel lock function only applies to model QP6551. The appliance is equipped with a travel lock function. You can use the travel lock if you are going to store the appliance for a longer time period or when you travel. The travel lock prevents the appliance from being switched on by accident.

Activating the travel lock

- 1 Press the on/off button for 3 seconds (Fig. 24).
- The travel lock symbol lights up and the digital display counts down (Fig. 25).
- When the travel lock is activated, the travel lock symbol flashes.

Deactivating the travel lock

- 1 Press the on/off button for 3 seconds (Fig. 24).
- The display counts down. Then the travel lock symbol lights up and switches off.
- The appliance is now switched on and ready for use.
- Note: The appliance unlocks automatically when you connect it to a wall socket.

Replacement

Usage indicator
For optimal cutting and gliding performance, we advise you to replace the blade every 4 months or when it no longer provides the shaving or trimming results you expect. Depending on your usage behavior, the exact lifetime of the blade could be longer or shorter. Similar to a manual blade, the blade becomes blunt over time, which results in increased hair pulling and reduced cutting performance. A replacement symbol will gradually appear on the blade as you use it (Fig. 26). When the replacement symbol is fully visible, it's time to replace your blade. Note that accessories such as combs can prevent the replacement symbol from becoming visible. Tip: The replacement symbol resembles the icon on the blade release button of your OneBlade. For older blades, a green rectangle may appear in place of the replacement symbol.

>75 % recycled paper
3000.104.3560.1 (26/01/2023)
Tous droits réservés
All rights reserved
© 2023 Koninklijke Philips N.V.



