

Always there to help you

Register your product and get support at
www.philips.com/support



NTRX900



User manual

PHILIPS

Contents

1 Important	2
Safety	2
Notice	3

2 Your Mini Hi-Fi System	5
Introduction	5
What's in the box	5
Overview of the main unit	6
Overview of the remote control	8

3 Connect	9
Connect FM antenna	9
Connect AM antenna	9
Connect speakers	9
Connect LED wires for speakers	10
Connect power	10

4 Get started	11
Prepare the remote control	11
Turn on	11

5 Play	12
Play from a disc or USB	12
Play audio through Bluetooth	14
Play from an external device	15

6 Listen to radio	16
Tune to a radio station	16
Program radio stations automatically	16
Program radio stations manually	16
Select a preset radio station	16
Change AM tuning grid	16

7 Adjust volume level and sound effect	17
Adjust volume level	17
Mute sound	17
Apply AUTO DJ effect	17
Apply DJ effects manually	17
Select a preset sound effect	17
Enhance bass	18
Apply NX Bass effect	18
Adjust equalizer settings	18

8 Other features	19
Mix sound	19
Speak or sing with a microphone	19
Turn the decorative light on or off	19
Listen through a headphone	19

9 Product information	20
Specifications	20
USB playability information	21
Supported MP3 disc formats	21
Maintenance	21

10 Troubleshooting	22
General	22
About Bluetooth device	23

1 Important

Safety




This 'bolt of lightning' indicates uninsulated material within your unit may cause an electrical shock. For the safety of everyone in your household, please do not remove product covering.

The 'exclamation point' calls attention to features for which you should read the enclosed literature closely to prevent operating and maintenance problems.

WARNING: To reduce the risk of fire or electric shock, this apparatus should not be exposed to rain or moisture and objects filled with liquids, such as vases, should not be placed on this apparatus.

CAUTION: To prevent electric shock, match wide blade of plug to wide slot, fully insert.

Important Safety Instructions

- ① Read these instructions.
 - ② Keep these instructions.
 - ③ Heed all warnings.
 - ④ Follow all instructions.
 - ⑤ Do not use this apparatus near water.
 - ⑥ Clean only with dry cloth.
 - ⑦ Install in accordance with the manufacturer's instructions.
 - ⑧ Do not install near any heat sources such as radiators, heat registers, stoves, or other apparatus (including amplifiers) that produce heat.
 - ⑨ Protect the power cord from being walked on or pinched, particularly at plugs, convenience receptacles, and the point where they exit from the apparatus.
 - ⑩ Only use attachments/accessories specified by the manufacturer.
 - ⑪ Use only with the cart, stand, tripod, bracket, or table specified by the manufacturer or sold with the apparatus. When a cart is used, use caution when moving the cart/apparatus combination to avoid injury from tip-over.
- 
- ⑫ Unplug this apparatus during lightning storms or when unused for long periods of time.
 - ⑬ Refer all servicing to qualified service personnel. Servicing is required when the apparatus has been damaged in any way, such as power-supply cord or plug is damaged, liquid has been spilled or objects have fallen into the apparatus, the apparatus has been exposed to rain or moisture, does not operate normally, or has been dropped.
 - ⑭ **Battery usage CAUTION** – To prevent battery leakage which may result in bodily injury, property damage, or damage to the unit:
 - Install all batteries correctly, + and - as marked on the unit.
 - Do not mix batteries (old and new or carbon and alkaline, etc.).
 - Remove batteries when the unit is not used for a long time.

- Batteries (battery pack or batteries installed) shall not be exposed to excessive heat such as sunshine, fire or the like.

- ⑮ **Apparatus shall not be exposed to dripping or splashing.**
- ⑯ **Do not place any sources of danger on the apparatus (e.g. liquid filled objects, lighted candles).**
- ⑰ **Where the MAINS plug or an appliance coupler is used as the disconnect device, the disconnect device shall remain readily operable.**

Warning

- Never remove the casing of this device.
- Never lubricate any part of this device.
- Never place this device on other electrical equipment.
- Keep this device away from direct sunlight, naked flames or heat.
- Never look into the laser beam inside this device.
- Ensure that you always have easy access to the power cord, plug, or adaptor to disconnect this device from the power.

Caution

- Use of controls or adjustments or performance of procedures other than herein may result in hazardous radiation exposure or other unsafe operation.

Notice

Any changes or modifications made to this device that are not expressly approved by Gibson Innovations may void the user's authority to operate the equipment.

Your product is designed and manufactured with high quality materials and components, which can be recycled and reused. Never dispose of your product with other household waste. Please inform yourself about

the local rules on the separate collection of electrical and electronic products and batteries. The correct disposal of these products helps prevent potentially negative consequences on the environment and human health.

Your product contains batteries, which cannot be disposed of with normal household waste. Please visit www.recycle.philips.com for additional information on a recycling center in your area.

Environmental information

All unnecessary packaging has been omitted. We have tried to make the packaging easy to separate into three materials: cardboard (box), polystyrene foam (buffer) and polyethylene (bags, protective foam sheet.)

Your system consists of materials which can be recycled and reused if disassembled by a specialized company. Please observe the local regulations regarding the disposal of packaging materials, exhausted batteries and old equipment.

Be responsible Respect copyrights

The making of unauthorized copies of copy-protected material, including computer programs, files, broadcasts and sound recordings, may be an infringement of copyrights and constitute a criminal offence. This equipment should not be used for such purposes.

This apparatus includes this label:



Bluetooth

The Bluetooth® word mark and logos are registered trademarks owned by Bluetooth

SIG, Inc. and any use of such marks by Gibson Innovations Limited is under license.



Note

- The type plate is located on the back of the unit.

2 Your Mini Hi-Fi System

Congratulations on your purchase, and welcome to Philips! To fully benefit from the support that Philips offers, register your product at www.Philips.com/welcome.

Introduction

With this unit, you can

- enjoy audio from discs, USB storage devices, Bluetooth enabled devices, or other external devices;
- swap play between the dual audio sources with the cross fader;
- listen to FM or AM radio stations;
- speak or sing with microphones through the loudspeakers of the unit; and
- record to a USB storage device.

To enrich sound, this unit offers you these sound effects:

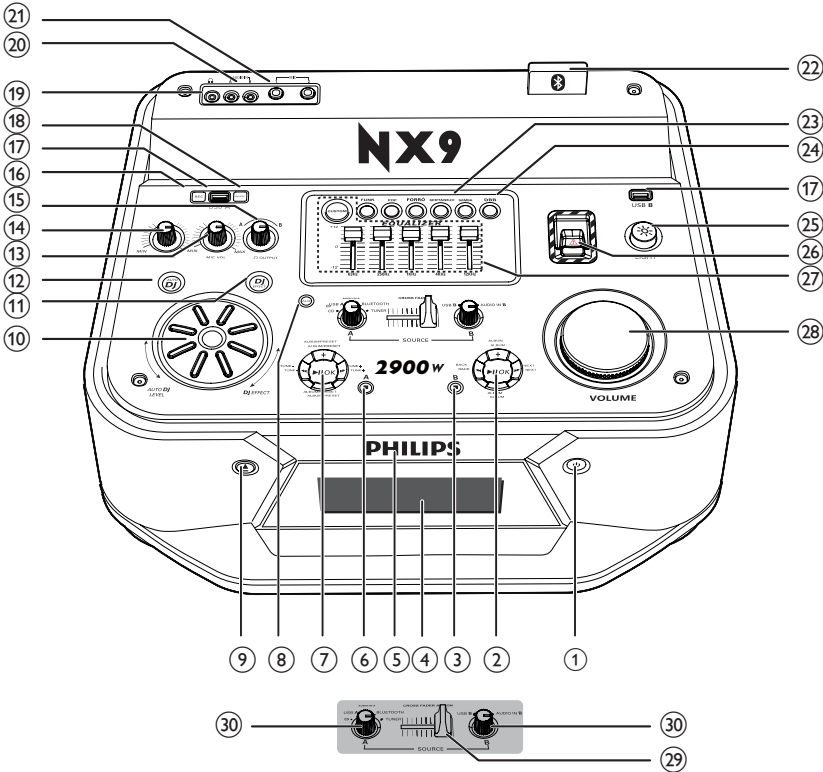
- Digital Sound Control (DSC)
- Dynamic Bass Boost (DBB)
- DJ effects
- NX Bass Enhancement

What's in the box





Check and identify the following box contents:

- Main unit x 1
- Speaker box x 2
- Remote control with 2 AAA batteries
- FM wire antenna x 1
- AM loop antenna x 1
- Short user manual

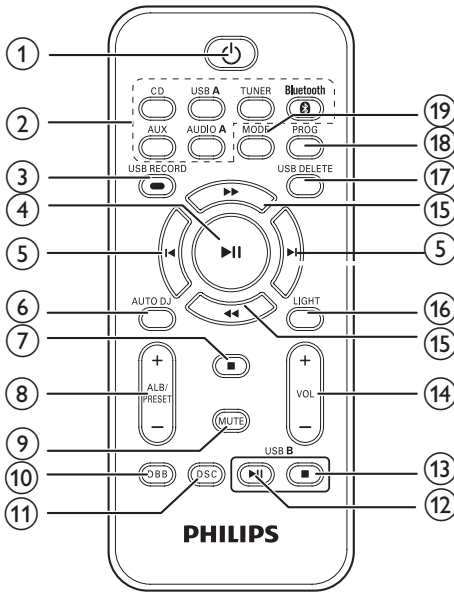
Overview of the main unit



- ① **⏻**
 - Power on the unit or switch to standby mode.
- ② **Control play panel(B)**
 - Control play for **USB B** mode.
- ③ **■ (B)**
 - In USB B mode, stop playing.
- ④ **Display panel**
 - Show status.
- ⑤ **Disc tray**
- ⑥ **■ (A)**
 - In Disc or USB A mode, stop playing.
 - In Disc or USB A mode, erase programs.
 - Exit the recording process.
 - In tuner mode, switch between FM and AM bands.
- ⑦ **Control play panel (A)**
 - Control play for **Source A** modes (including Disc, USB A, Bluetooth, and Tuner modes).
- ⑧ **AUX**
 - Select an audio source from an external device: DVD, PC, TV or GAME player.

- ⑨ ▲
 - Eject the disc.
- ⑩ **DJ EFFECT dial**
 - Adjust the sound level of DJ effects.
- ⑪ **DJ EFFECT**
 - In CD, USB A, Bluetooth, Tuner, or Audio in A mode, apply DJ effects manually.
- ⑫ **AUTO DJ**
 - In USB A mode, apply AUTO DJ effect automatically.
- ⑬ **MICVOL knob**
 - Adjust microphone volume.
- ⑭  **VOL knob**
 - Adjust the headphone volume.
- ⑮  **OUTPUT knob**
 - Switch headphone output between Source A and Source B.
- ⑯ **REC**
 - In USB A mode, record to a USB device.
- ⑰ **USB A/USB B**
 - Connect USB mass storage devices.
- ⑱ **DELETE**
 - In USB A mode, delete audio files stored on a USB device.
- ⑲ 
 - Connect a headphone.
- ⑳ **AUDIO IN A/B**
 - Audio input jack (3.5mm) for an external audio device.
- ㉑ **MIC 1/2 (Microphone ports)**
 - Jack for a microphone.
- ㉒ **Bluetooth indicator**
- ㉓ **Sound effect keys**
 - Select a preset sound effect.
- ㉔ **DBB**
 - Turn dynamic bass enhancement on or off.
- ㉕ 
 - Enable or disable the speaker lighting effect.
- ㉖ **NX Bass**
 - Turn on NX Bass effect.
- ㉗ **Custom Equalizer**
 - In CUSTOM mode, adjust the equalizer settings for each of the 5 frequency ranges by moving the slider bars.
- ㉘ **VOLUME knob**
 - Adjust volume of the speakers.
- ㉙ **CROSS FADER**
 - Adjust the channel balance between Source A and Source B during playback.
- ㉚ **Source selector**
 - Select an audio source.

Overview of the remote control

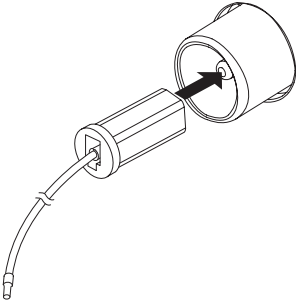


- ①
 - Turn on the unit or switch to standby mode.
- ② **Source selection keys**
 - Select an audio source.
- ③ **USB RECORD**
 - In USB A mode, record to a USB device.
- ④
 - In Disc, USB A, or Bluetooth mode, start or pause play.
- ⑤
 - In Disc, USB A, or Bluetooth mode, skip to the previous or next track.
- ⑥ **AUTO DJ**
 - In USB A mode, apply AUTO DJ effect automatically.
- ⑦
 - In Disc or USB A mode, stop playing.
 - In Disc or USB A mode, erase programs.
 - Exit the recording process.
- ⑧ **ALB/PRESET +/-**
 - Skip to the previous or next album.
 - Select a preset radio station.
- ⑨ **MUTE**
 - Mute or unmute volume.
- ⑩ **DBB**
 - Turn dynamic bass enhancement on or off.
- ⑪ **DSC**
 - Select a preset sound effect.
- ⑫ **USB B**
 - In USB B mode, start or pause play.
- ⑬ **USB B**
 - In USB B mode, stop play.
- ⑭ **VOL +/-**
 - Adjust volume.
- ⑮
 - Tune to radio stations.
 - In Disc or USB A mode, search within a track.
- ⑯ **LIGHT**
 - Enable or disable the speaker lighting effect.
- ⑰ **USB DELETE**
 - In USB A mode, delete audio files stored on a USB storage device.
- ⑱ **PROG**
 - In Disc or USB A mode, program tracks.
 - Program radio stations.
- ⑲ **MODE**
 - In Disc or USB A mode, select a repeat play mode.
 - In Disc or USB A mode, play tracks randomly.

3 Connect

Connect FM antenna

Connect the supplied FM antenna to the **FM** jack on the back of the main unit.

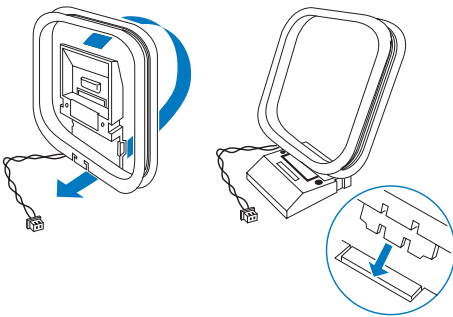


Connect AM antenna

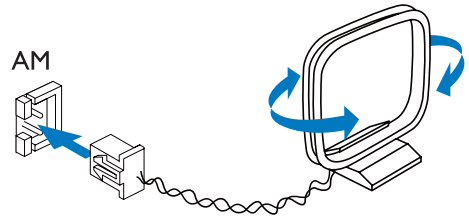
Note

- For better reception, adjust the position of the AM antenna.

1 Assemble the AM loop antenna.



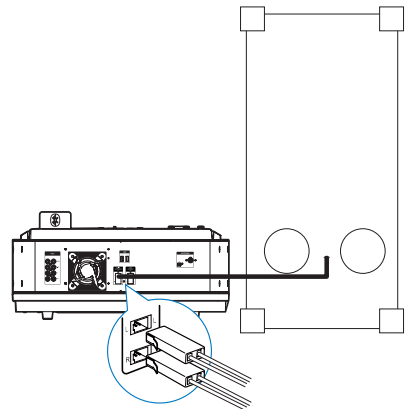
2 Connect the AM loop antenna to the **AM** jack on the back of the main unit.



Connect speakers

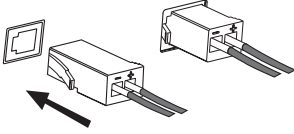
Note

- For optimal sound quality, use the supplied speakers only.
- Connect only speakers with impedance that is the same or higher than the supplied speakers (refer to the "Specifications" section of this manual).
- Make sure that the colors of the speaker wires and terminals are matched.



Connect the main speakers

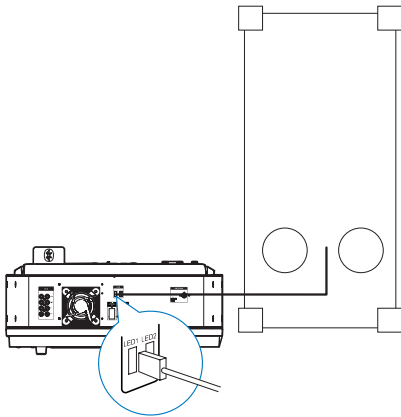
- 1 Find the **MAIN SPEAKERS** sockets on the back panel of the main unit.
- 2 Insert the right speaker (NTRX900SA) wires to "R", and left speaker (NTRX900SB) wires to "L".



Connect the sub woofers

- 1 Find the **SUB WOOFER** sockets on the back panel of the main unit.
- 2 Insert the connectors of the sub woofer wires into the **SUB WOOFER** sockets.

Connect LED wires of speakers



- 1 Find the LED sockets on the back of the main unit.

- 2 Insert the connector of the LED wire into the corresponding LED socket.
- 3 Repeat steps 1-2 to connect the other LED wire of the speaker.

Connect power

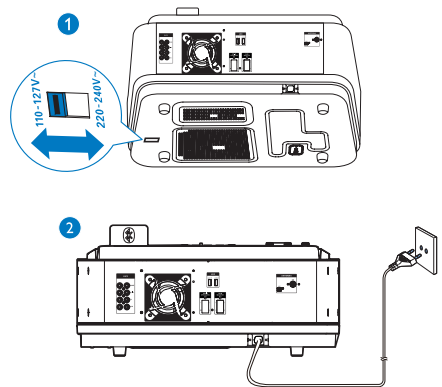
! Caution

- Risk of product damage! Make sure that you have selected the power supply voltage that corresponds to your local power supply.
- Risk of electric shock! When you unplug the power cord, always pull the plug from the socket. Never pull the cord.

☰ Note

- Before connecting to AC power, make sure that you have completed all other connections.
- Do not plug AC power cord within one minute after unplugging it, in case the product will be powered off automatically due to high power component protection.

- 1 Adjust the voltage selector on the bottom of the main unit to match your local power supply.
- 2 Connect the AC power plug to the power outlet.



4 Get started



Caution

- Use of controls or adjustments or performance of procedures other than herein may result in hazardous radiation exposure or other unsafe operation.

Always follow the instructions in this chapter in sequence.

If you contact Philips, you will be asked for the model and serial number of this apparatus. The model number and serial number are on the back of the apparatus. Write the numbers here:

Model No. _____

Serial No. _____

Prepare the remote control

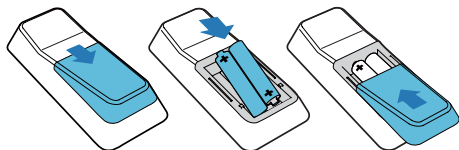


Note

- Danger of explosion if battery is incorrectly replaced. Replace only with the same or equivalent type.
- Batteries contain chemical substances, so they should be disposed of properly.

To replace the remote control battery:

- 1 Open the battery compartment.
- 2 Insert two AAA batteries with correct polarity (+/-) as indicated.
- 3 Close the battery compartment.



Turn on

Press ϕ .

- ↳ The unit switches to the last selected source.

Switch to standby mode

Press ϕ to switch the unit to standby mode.

5 Play

Play from a disc or USB

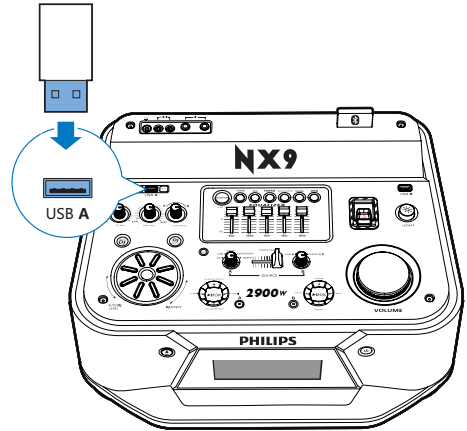
Play disc

Note

- Make sure that the disc contains playable audio contents.

- 1 Press **CD** to select the disc source.
- 2 Slide **CROSS FADER** to the far left.
- 3 Press **▲** on the main unit to open the disc tray.
- 4 Load a disc on the disc tray, with the printed side facing up.
- 5 Press **▲** on the main unit to close the disc tray.
 - To start, pause, or resume play, press **▶||**.
 - To stop play, press **■**.
 - To select another track, press **◀** or **▶**.
 - To select an album, press **ALB/PRESET+/-**.
 - To search within a track, press and hold **◀◀** or **▶▶**, then release to resume normal play.

Play from a USB A device



Note

- Make sure that the USB device contains playable audio contents in supported formats.

- 1 Insert the USB plug of the device into the **USB A** socket.
- 2 Press **USB A** to select the USB A source.
- 3 Slide **CROSS FADER** to the far left.
- 4 Press **ALB/PRESET+/-** to select an album.
- 5 Press **◀** or **▶** to select an audio file.
- 6 Press **▶||** to start play.
 - To pause or resume play, press **▶||**.
 - To stop play, press **■**.
 - To search within an audio file, press and hold **◀◀** or **▶▶**, then release to resume normal play.

Delete from a USB device

- 1 In USB A mode, press **■** to stop music playback.
- 2 Press **◀** or **▶** to select an audio file.
 - To delete an audio folder, press **ALB/PRESET+/-** to select an audio folder; then press **◀** or **▶** to select a file.
- 3 Press **USB DELETE** repeatedly to select:
 - **[DEL FILE]** (Delete file): Delete current audio file.

- **[DEL DIR]** (Delete directory): Delete current audio folder.
- **[FORMAT]** (Format): Delete all files in the USB device.

- 4 Press **▶||** to confirm the selection.
- ↳ A confirmation message is displayed.
- To cancel, press **■**.

Note

- The function is not available in **USB B** mode.

Caution

- If **[FORMAT]** is selected, all files (including non-audio files) stored in the USB device will be erased.

Record to a USB device

MP3 files, radio, and audio from external devices are recorded in .mp3 format. The first time you record to a USB device, a folder is automatically created on the USB device. Each time you record to a USB device, the recorded files are stored in a subfolder of this folder. Files and subfolders are named numerically in the order in which they are created.

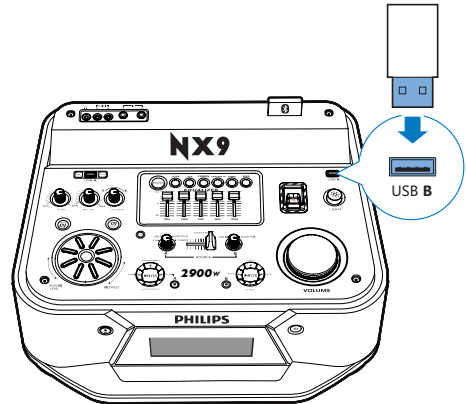
- 1 Connect a USB device to **USB A** socket.
- 2 Prepare the source to record from.
 - Disc: Select the CD source and load a disc, then select a track to start recording.
 - Radio: Tune to a radio station.
 - AUDIO IN/AUX: Select the Audio-in or AUX source, then connect and play from an external device.
 - USB B: Select **USB B** source, then connect and select an audio file to play.
- 3 Press **USB RECORD** to start recording.
 - For Disc mode, press **USB RECORD** to cycle through:
 - (A) **[REC ONE]** (record one): the first or current track is recorded.
 - (B) **[REC ALL]** (record all): all tracks or the remaining tracks are recorded.

- ↳ Play starts automatically from the beginning of the disc or the selected track, and the recording starts.
- To stop recording, press **■**.

Note

- If the USB device does not have enough memory to store the audio files, a **"Full memory"** message is displayed.
- This function is not available in USB B and Mix sound mode.
- This function is not available when **AUTO DJ** or **DJ EFFECT** effects are applied.

Play from a USB B device



- 1 Insert the USB plug of the device into the **USB B** socket.
- 2 Rotate the source selector to select the **USB B** source.
- 3 Slide **CROSS FADER** to the far right.
- 4 Use the control play panel (B) on the top panel of the main unit to control play.
 - To start, pause, or resume play, press **▶||**.
 - To select an album, press **+/-**.
 - To select an audio file, press **◀◀** or **▶▶**.
 - To stop play, press **■** (B).
 - To search within an audio file, press and hold **◀◀** or **▶▶**, then release to resume normal play.

Play options

Repeat and random play

- 1 In Disc or USB A mode, press **MODE** repeatedly to select:
 - **[RPT-ONE]** (Repeat one): Play the current track repeatedly.
 - **[RPT-DIR]** (Repeat directory): Play all tracks in the album or folder repeatedly.
 - **[RANDOM]** (Random): Play all tracks randomly.
- 2 To return to normal play, press **MODE** repeatedly to select **[OFF]** (off).

Note

- Shuffle play cannot be selected when you play the programmed tracks.

Program tracks

You can program a maximum of 40 tracks.

- 1 In Disc or USB A mode, press **■** to stop playing.
- 2 Press **PROG** to activate the program mode.
↳ A number flashes on the screen.
- 3 For MP3 tracks, press **ALB/PRESET+/-** to select an album.
- 4 Press **◀** or **▶** to select a track number; then press **PROG** to confirm selection.
- 5 Repeat steps 3 to 4 to program other tracks.
- 6 Press **▶||** to play the programmed track.
 - To erase the program, press **■** twice.

Note

- The function is not available in **USB B** mode.

Play audio through Bluetooth

The unit uses Bluetooth wireless technology to stream music from your Bluetooth device to the system.

Note

- Gibson Innovations does not guarantee the compatibility with all Bluetooth devices.
- Before pairing a device with this unit, read its user manual for Bluetooth compatibility.
- The effective operation range between the unit and a Bluetooth device is approximately 10 meters (30 feet).
- The unit can memorize a maximum of 8 paired devices.
- Any obstacle between the unit and a Bluetooth device can reduce the operational range.
- Keep away from any other electronic device that may cause interference.

- 1 Slide **CROSS FADER** to the far left.
- 2 Press **Bluetooth** to turn on the Bluetooth function of the unit.
↳ The LED indicator on the **Ⓚ** button blinks.
- 3 On your Bluetooth device, enable Bluetooth and search for Bluetooth devices (refer to the user manual of the device).
- 4 When **[PHILIPS NX9]** (Philips NX9) is displayed on your device, select it to start pairing and connection. If necessary, enter default password "0000".
↳ After successful pairing and connection, the LED indicator turns solid blue.
- 5 Play audio on your device.
↳ Audio streams from your device to the unit.
 - To start, pause, or resume play, press **▶||**.
 - To select another track, press **◀** or **▶**.

To disconnect the Bluetooth-enabled device:

- Disable Bluetooth on your device; or
- Move the device beyond the communication range.

To connect another Bluetooth-enabled device:

- Disable Bluetooth on the current device, and then connect another device.

- 3 Play audio on the device (refer to the user manual of the device).

Play from an external device

You can play audio from an external device through the speakers of this unit.

Play from an MP3 player

- 1 Press **AUDIO A** to select the MP3 link source.
- 2 Slide **CROSS FADER** to the far left.
- 3 Connect an audio input cable (not supplied) with a 3.5 mm connector on both ends to:
 - the **AUDIO IN A** socket on the unit, and
 - the headphone socket on the MP3 player.
- 4 Play audio on the MP3 player (refer to its user manual).



Tip

- If the MP3 player is connected to the **AUDIO IN B** socket, rotate the source selector on the main unit to select the Audio In B source.

Play from other audio device

You can connect a PC or other audio devices to this unit.

- 1 Press **AUX** repeatedly to cycle through **GAME, PC-IN, TV** and **DVD** sources.
- 2 Connect the white and red audio cables (not supplied) to:
 - the **AUX** sockets on the back of the main unit.
 - the headphone socket on a PC, or the **AUDIO OUT** socket on an external device.

6 Listen to radio

Tune to a radio station



Tip

- Keep the unit away from other electronic devices to avoid radio interference.
- For better reception, fully extend and adjust the position of the antenna.

- 1 Slide **CROSS FADER** to the far left.
- 2 Press **TUNER** on the remote control, or **■** **A** on the main unit repeatedly to select FM or AM tuner.
- 3 Press and hold **◀◀** or **▶▶** for 2 seconds.
 - ↳ **[SEARCH]** (search) is displayed.
 - ↳ The radio tunes to a station with strong signal automatically.
- 4 Repeat step 3 to tune to more stations.
 - To tune to a station manually, press **◀◀** or **▶▶** repeatedly until you find optimal reception.

Program radio stations automatically



Note

- You can program a maximum of 30 FM and 10 AM radio stations.

- In tuner mode, press and hold **PROG** for 2 seconds to activate automatic program mode.
- ↳ **[AUTO]** (auto) is displayed.
 - ↳ The unit stores radio stations with sufficient signal strength automatically.
 - ↳ After all available radio stations are stored, the first stored radio station is broadcast automatically.

Program radio stations manually

- 1 Tune to a radio station.
- 2 Press **PROG** to activate the program mode.
 - ↳ A position number is displayed.
- 3 Press **ALB/PRESET+/-** to allocate a number to this radio station, then press **PROG** to confirm.
- 4 Repeat steps 1-3 to program other stations.



Tip

- To overwrite a programmed station, store another station in its place.

Select a preset radio station

In tuner mode, press **ALB/PRESET+/-** to select a preset number:

Change AM tuning grid

In some countries, the AM radio frequency step between adjacent channels is 10 kHz or 9 kHz.

- In AM tuner mode, press and hold **■** for 5 seconds.
 - ↳ The frequency step is changed to 9 kHz or 10 kHz.
 - ↳ All preset stations are erased and re-programmed in AM mode.

7 Adjust volume level and sound effect

Adjust volume level

During play, press **VOL +/-** to increase or decrease volume.

Mute sound

During play, press **MUTE** to mute or unmute sound.

Apply AUTO DJ effect

The AUTO DJ function adds various sound and playback effects to your music automatically.

- To apply AUTO DJ effects, press **AUTO DJ** repeatedly to select between:
 - **[METAL]** (Metal), and
 - **[PARTY]** (party)
- To turn off the AUTO DJ effects, press **AUTO DJ** repeatedly to select **[OFF]** (Off).
- To adjust the occurrence frequency and sound level of the added effects, rotate the **DJ EFFECT** dial.

Note

- These effects are added by the application automatically and randomly.
- The function is only available in **USB A** mode.

Apply DJ effects manually

You can also add the preset DJ effects by yourself.

- Press **DJ EFFECT** repeatedly to select an effect:
 - **[SCRATCH]** (scratch)
 - **[REVERB]** (reverb)
 - **[BEAT BOX]** (beat box)
 - **[YEAH]** (yeah)
- To turn off the DJ effects, press **DJ EFFECT** repeatedly to select **[OFF]** (off).
- To apply the sound level of the added effects, rotate the **DJ EFFECT** dial.

Note

- The function is not available in **USB B** mode and **Audio in B** mode.

Select a preset sound effect

The Digital Sound Control (DSC) feature enables you to enjoy special sound effects.

- During play, press **DSC** repeatedly to select:
 - **[FUNK]** (funk)
 - **[POP]** (pop)
 - **[FORRO]** (forro)
 - **[SERTANEJO]** (sertanejo)
 - **[SAMBA]** (samba)

Enhance bass

The best Dynamic Bass Enhancement (DBB) setting is generated automatically for each DSC selection. You can manually select the DBB setting that best suits your listening environment.

- During play, press **DBB** repeatedly to select:
 - **DBB 1**
 - **DBB 2**
 - **DBB 3**
 - **DBB OFF**

Apply NX Bass effect

NX Bass effect adds clean and lively characteristics to your music with rather low background noise.

- 1 Open the cover on the **NX Bass** button.
- 2 Press the **NX Bass** button. The sound will change in 3 stages:
 - Stage 1: The sound volume increases to a higher level and stays at this level for 5 seconds.
↳ **[FIRING]** (firing) is displayed.
 - Stage 2: The sound volume gradually decreases to its original level in 10 seconds.
↳ **[DISCHARGE]** (discharge) is displayed.
 - Stage 3: The sound volume keeps at normal level for 40 seconds. If you press **NX Bass** button again, **[RECHARGE]** (recharge) is displayed.

Adjust equalizer settings

Custom Equalizer lets you increase or decrease the gain for specific frequency ranges, and adjust audio output to your own preferences.

- 1 Press **CUSTOM** on the main unit.
- 2 Move the slider bars to adjust the equalizer settings for each of the 5 frequency ranges.

8 Other features

Mix sound

You can play from **Source A** (Disc/USB A/Bluetooth/Tuner/Audio in A mode) and from **Source B** (USB B/Audio in B mode) at the same time.

- 1 Play from **Source A**.
 - Disc: Select the CD source, and play a track in the loaded disc.
 - Tuner: Tune to a radio station.
 - Audio in A: Select the Audio in A source, and play audio on the connected external device.
 - USB A: Select the USB A source, and play audio on the connected USB A device.
 - Bluetooth: Connect a Bluetooth device, and then play audio on the device.
- 2 Play from **Source B**.
 - Audio in B: Select the Audio in B source, and then play audio on the connected external device.
 - USB B: Select the USB B source, and then play audio on the connected USB B device.
- 3 Use the **CROSS FADER** control to adjust the balance between Source A and Source B channels during playback.

Speak or sing with a microphone

With this unit, you can speak or sing to a music source with a microphone.

- 1 Turn the **MIC VOL** knob to the minimum level.
- 2 Connect a microphone (not supplied) to the **MIC 1** or **MIC 2** socket on the top panel.
- 3 Press **CD**, **TUNER**, **USB A**, **AUDIO A**, or **AUX** to select a source, and start play.
- 4 Sing through the microphone.
 - To adjust the volume of the source, press **VOL +/-**.
 - To adjust the volume of the microphone, turn the **MIC VOL** knob.




Turn the decorative light on or off

In power-on mode, press **LIGHT** repeatedly to adjust the decoration light around the loudspeakers, or turn the light off.

Listen through a headphone

Note

- When you listen through a headphone, the loudspeaker cannot be muted.

- 1 Plug a headphone into the  socket on the top panel of the main unit.
- 2 Rotate the  **OUTPUT** knob to select an audio source: Source A or Source B.
- 3 Rotate the  **VOL** knob to adjust the headphone volume.

9 Product information

Note

- Product information is subject to change without prior notice.

Specifications

Amplifier

Total output power	2900W @THD 10%
Frequency response	60 Hz - 16kHz
Signal-to- noise ratio	>65 dBA
AUDIO-IN/AUX-IN	1000mV/2000mV

Disc

Laser type	Semiconductor
Disc diameter	12cm/8cm
Support disc	CD-DA, CD-R, CD-RW, MP3-CD
Audio DAC	24Bits / 44.1kHz
Total harmonic distortion	<1%
Frequency response	60Hz -16kHz
S/N ratio	>65 dBA

Speakers

Speaker Impedance	4 x 4 ohm
Subwoofer	2 x 20"
Tweeter	2 x 1"
Woofers	2 x 8"
Dimensions (W x H x D)	667.9 x 1131.9 x 547.2 mm
Weight	62 kg each

Tuner

Tuning range	FM: 87.5 - 108MHz; AM: 531 - 1602kHz (9kHz); 530 - 1700kHz (10kHz)
Tuning grid	100kHz (FM); 9kHz/10kHz (AM)
Number of presets	30 FM, 10 AM
FM	75ohm wire
AM	loop antenna

Bluetooth

Bluetooth version	V2.0+EDR
Supported profiles	A2DP,AVRCP
Range	10 m (Free space)

General information

AC power	110 -127V/220 - 240V~, 50/60Hz
Operation power consumption	250 W
Standby power consumption	<40 W
USB direct	Version 2.0/1.1
USB port	DC 5V, 500mA
Dimensions Main Unit (W x H x D)	526 x 247 x 470 mm
Weight (without speakers)	8.9 kg

USB playability information

Compatible USB devices:

- USB flash memory (USB 2.0)
- USB flash players (USB 2.0)
- memory cards (requires an additional card reader to work with this unit)

Supported formats:

- USB or memory file format FAT12, FAT16, FAT32 (sector size: 512 bytes)
- MP3 bit rate (data rate): 32-320 Kbps and variable bit rate
- Directory nesting up to a maximum of 8 levels
- Number of albums/ folders: maximum 99
- Number of tracks/titles: maximum 999
- ID3 tag v1.2 or later
- File name in Unicode UTF8 (maximum length: 128 bytes)

Unsupported formats:

- Empty albums: an empty album is an album that does not contain MP3 files, and is not be shown in the display.
- Unsupported file formats are skipped. For example, Word documents (.doc) or MP3 files with extension .dlf are ignored and not played.
- AAC, WAV, PCM audio files
- WMA files

Supported MP3 disc formats

- ISO9660, Joliet
- Maximum title number: 999 (depending on file name length)
- Maximum album number: 99
- Supported sampling frequencies: 32 kHz, 44.1kHz, 48 kHz
- Supported Bit-rates: 32-320 (kbps), variable bit rates
- ID3 tag v1.2 or later
- Directory nesting up to a maximum of 8 levels

Maintenance

Clean the cabinet

- Use a soft cloth slightly moistened with a mild detergent solution. Do not use a solution containing alcohol, spirits, ammonia or abrasives.

Clean discs

- When a disc becomes dirty, clean it with a cleaning cloth. Wipe the disc from the centre out.



- Do not use solvents such as benzene, thinner, commercially available cleaners, or antistatic spray intended for analogue records.

Clean the disc lens

- After prolonged use, dirt or dust may accumulate at the disc lens. To ensure good play quality, clean the disc lens with Philips CD lens cleaner or any commercially available cleaner. Follow the instructions supplied with cleaner.

10 Troubleshooting



Caution

- Never remove the casing of this unit.

To keep the warranty valid, never try to repair the system yourself.

If you encounter problems when using this unit, check the following points before requesting service. If the problem remains unsolved, go to the Philips web site (www.philips.com/support). When you contact Philips, ensure that your unit is nearby and the model number and serial number are available.

General

No power

- Make sure that the AC power plug of the unit is connected properly.
- Make sure that there is power at the AC outlet.

No sound or poor sound

- Adjust the volume.
- Check that the speakers are connected correctly.
- Check if speakers are muted. Press **MUTE** to restore sound.

Left and right sound outputs reversed

- Check the speaker connections and location.

No response from the unit

- Disconnect and reconnect the AC power plug, then turn on the unit again.

Remote control does not work

- Before you press any function button, first select the correct source with the remote control instead of the main unit.
- Reduce the distance between the remote control and the unit.
- Insert the batteries with their polarities (+/- signs) aligned as indicated.
- Replace the batteries.
- Aim the remote control directly at the sensor on the front of the main unit.

No disc detected

- Insert a disc.
- Check if the disc is inserted upside down.
- Wait until the moisture condensation at the lens has cleared.
- Replace or clean the disc.
- Use a finalized CD or correct format disc.

Cannot display some files in USB device

- The number of folders or files in the USB device has exceeded a certain limit. This phenomenon is not a malfunction.
- The formats of these files are not supported.

USB device not supported

- The USB device is incompatible with the unit. Try another one.

Cannot apply sound effects when playing from a USB B device.

- USB B mode does not support **DBB**, **DSC**, **DJ EFFECT** or **AUTO DJ** effects.

Cannot delete files from a USB B device.

- USB B mode does not support USB Delete function.

Poor radio reception

- Increase the distance between the unit and other electrical appliances.
- Adjust the position of the antenna for better reception.

About Bluetooth device

The audio quality is poor after connection with a Bluetooth-enabled device.

- The Bluetooth reception is poor. Move the device closer to this product or remove any obstacle between them.

Cannot connect with the device.

- The Bluetooth function of the device is not enabled. Refer to the user manual of the device for how to enable the function.
- This product is already connected with another Bluetooth-enabled device. Disconnect that device and then try again.

The paired device connects and disconnects constantly.

- The Bluetooth reception is poor. Move the device closer to this product or remove any obstacle between them.
- For some devices, Bluetooth connection may be deactivated automatically as a power-saving feature. This does not indicate any malfunction of this product.



2016 © Gibson Innovations Limited. All rights reserved.
This product has been manufactured by, and is sold under the responsibility of Gibson Innovations Ltd., and Gibson Innovations Ltd. is the warrantor in relation to this product. Philips and the Philips Shield Emblem are registered trademarks of Koninklijke Philips N.V. and are used under license.

NTRX900_78_UM_V4.0

