



# User manual

Register your product and get support at [www.philips.com/welcome](http://www.philips.com/welcome)

## General information

### Warnings

- Only use attachments or accessories specified by manufacturer.
- The battery shall not be exposed to excessive heat such as sunshine, fire etc.
- Only for indoor use.

### Care and safety information

#### Avoid high temperatures, moisture, water and dust

- Apparatus should not be exposed to dripping or splashing of liquid.
- Do not place any source of danger on the speaker (e.g. liquid filled objects lighted candles).
- Do not install near heat sources.

#### Do not block any ventilation opening

- Place the apparatus in a location with adequate ventilation to prevent internal heat build up. Allow at least 10cm (4 inches) of free space all around the apparatus for adequate ventilation.

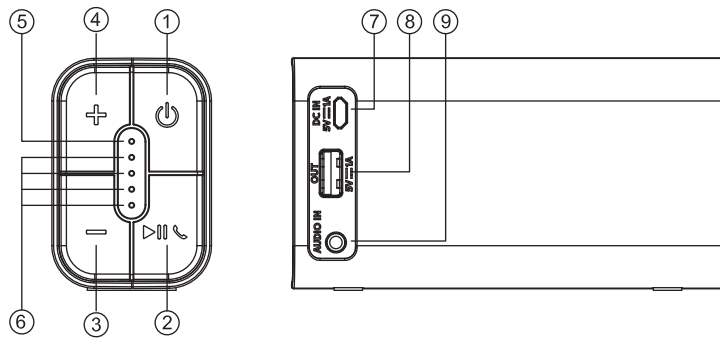
### Care of the cabinet

- Use a soft cloth slightly moistened to clean the cabinet.
- Do not use a solution containing alcohol, spirits, ammonia or abrasives.

## Accessories

Item	3.5mm to stereo cable	User manual	USB cable
Quantity	1	1	1

## Buttons & LED lights



## Buttons & LED lights

### A. Switch operation

	1.	2.	3.	4.
BT mode	short press	battery charging level display	a. play or pause song b. accept or reject an incoming call	Prev Song/Track*
	long press	Power on/off	Disconnect BT connection	Next Song/Track*
Audio mode	short press	battery charging level display	_____	_____
	long press	Power on/off	_____	Volume decreases Volume increases, when it reaches highest volume it will make one beep sound

### B. LED

- 5. green LED: Audio mode; blue LED: Bluetooth mode. (Audio in is available only when stereo cable is connected).
- 6. Orange LED:
- (1) Power bank battery charging [level display: 4 LED for 100% battery charging level, 3 LED for 75% battery charging level, 2 LED for 50% battery charging level, 1 LED for 25% battery charging level. (It means very low battery level when last LED starts flashing, please charge the unit in time then.)
- (2) Charging: it takes 3 hours for the whole charging, 4 LED will stay solid orange when fully charged. (LED will flash when self charging).

### C. Back panel

- 7. Micro USB socket for charging the unit.
- 8. Power bank output 5V 1A.
- 9. Audio in - 3.5mm Audio in socket.

\* In case of laptop BT connection, this will work with windows media player.

## Over view of the speaker

1. - Power on/off and Source selection.
2. Turn the speaker on or off with long press.
3. Select source by short pressing Bluetooth/Audio in (Audio in is available only when stereo cable is connected).
4.
  - Play/ Pause
  - Answer or reject an incoming call
  - End the current call
  - Disconnect Bluetooth connection
5.
  - Volume decrease -long press
  - Previous song -short press
6.
  - Volume increase -long press
  - Next song -short press
5. DC in - Recharging the built in battery.
6. Audio in - Connect an external audio device
7. Micro USB - use for charging other devices as power bank.

### Get started

- Place the speaker on a flat surface.
- Charge the built in battery
  - Notes for charging
  - a) Before use, fully charge the built in battery.
  - b) The micro USB socket is for charging only.
  - c) Rechargeable battery has a limited number of charge cycles.
- Battery life and number of charge cycle vary by use & settings.
- Connect the USB cable between DC in socket on the speaker and USB Socket of a computer.

## Bluetooth pairing

- Long press to turn on the unit - speaker enters in Bluetooth mode. blue LED will quickly flash.
- Turn on Bluetooth device like mobile, computer and search the Bluetooth name "PHILIPS BT106"
- Press pair in the device to connect with the speaker, when enter pairing mode it will give out a "Beep" sound while it will give out double "Beep" sound after pairing successfully.
- Blue light will stop flashing. (Normally no need to provide password, if needed just put "0000" as the password.)
- After pairing successfully, the device will connect with speaker automatically next time.
- Long press for 3 seconds to disconnect current device, speaker enters in pairing mode.

### Audio in

Connect a stereo cable (audio input cable) on both ends to

- Audio in socket of speaker
  - The headphone socket on the external device
- Insert stereo cable to enter audio in mode. Without Audio cable, speaker cannot go into line in mode.

### Power bank

- To use power bank for charging portable devices like mobiles, user can connect the devices with the speaker by using a micro USB cable (output 5V/1A).
  - To charge the speaker, user can insert the micro USB cable to MICRO USB socket, and the other side to the USB socket of charger (5V/1A).
- Note: please do not use the unit for charging other devices as power bank when doing self charging.

### Handfree phone call function

Blue light will flash when there is an incoming call, the speaker will also come out with 'Beep' sound, press button to answer the phone call. pressing / to decrease or increase volume, press to disconnect.

### Low power

When it comes to low power, the speaker will come out with "Beep" sound, at the same time volume will be decreased to keep perfect playback, pls charge in time, the speaker will shutdown for no power.

If you are not using the speaker for long time, ensure that it is being fully charged once every month in order to protect the battery.

## Warranty

This Philips 2.0 multimedia speakers system is warranted against any defect due to defective materials or workmanship for 12 months from the date of purchase, should a defect develop during the period of warranty, **Gibson Innovations India Private Limited** undertake to repair the apparatus FREE OF CHARGE through the dealer from whom it has been purchased or at any of the Philips Authorised Service Centres.

### The warranty is not valid in case :

1. Proof of purchase is not accompanied with this warranty card.
2. The warranty card is not completed immediately after purchase.
3. The apparatus is not used according to this manual.
4. Defects are caused by improper or reckless use.
5. Any repairs are done by persons other than Philips Authorised service centre.
6. Any modifications or alteration of any nature are made in the apparatus.
7. The serial number is tampered with.
8. Defects due to causes beyond control like lightning, abnormal voltage, acts of God or while in transit to the purchaser's residence.

All consumables and parts susceptible to normal wear and tear are not covered under warranty.

Week/S.No.: \_\_\_\_\_ Bill No. \_\_\_\_\_  
 Date of purchase \_\_\_\_\_  
 Dealer's name: \_\_\_\_\_  
 Dealers stamp: \_\_\_\_\_  
 Customer's name and address: \_\_\_\_\_  
 Model No.: \_\_\_\_\_  
 Dealer's signature: \_\_\_\_\_

## Product specifications\*

### Amplifier

Rated output power	5W RMS
Signal to Noise Ratio	>50dB
Audio input	600MV
Frequency Response	70Hz-20KHz

### Speaker

Speaker Impedance	4 ohm
Speaker Driver	1.5 inch/40mm
Sensitivity	80 dBm

### Bluetooth

Bluetooth version	V4.1
Bluetooth profile	V2.1+EDR
Bluetooth freq	2.4GHz-2.48GHz
Bluetooth range	Upto 10M (freespace)

### General Introduction

Power supply	5V  1A
Built in battery	Li-polymer battery
Dimension main unit(LxWxH)	122x45x65.5mm
Weight	195g

Power bank capacity	2200 mAh
Connectivity	Audio in, Bluetooth

\*Specification subject to change without prior notice. Measured under specific conditions.

The Philips trademark and Philips shield emblem are registered trademarks of Koninklijke Philips N.V. used under license. This product has been manufactured by and sold under the responsibility of Gibson Innovation India Private Ltd. and Gibson Innovations India private Ltd. is the warrantor in relation to this product.



Always there to help you  
 Visit us at [www.india.philips.com](http://www.india.philips.com)  
 Contact us: 1800 101 111, 1800 102 2929  
 Or [customerscare.india@philips.com](mailto:customerscare.india@philips.com)