

Register your product and get support at
www.philips.com/welcome

Docking Entertainment System

DCM250



EN User manual

ZH-CN 用户手册

PHILIPS

Contents

1 Important	4
Safety	4
Notice	5

2 Your Docking Entertainment System	7
Introduction	7
What's in the box	7
Overview of the main unit	8
Overview of the remote control	9

3 Get started	11
Connect FM antenna	11
Connect MW antenna	11
Connect power	12
Prepare the remote control	12
Auto install radio stations	13
Set clock	13
Turn on	13

4 Play disc	14
--------------------	----

5 Play from USB	15
------------------------	----

6 Play options	16
Skip to a track	16
Pause/resume play	16
Search within a track	16
Display play information	16
Repeat play	16
Random play	16
Program tracks	16

7 Play iPod/iPhone	17
Compatible iPod/iPhone	17
Load the iPod/iPhone	17
Listen to the iPod/iPhone	17
Play video from iPod/iPhone	18
Charge the iPod/iPhone	18
Remove the iPod/iPhone	18

8 Listen to the radio	19
Tune to a radio station	19
Program radio stations automatically	19
Program radio stations manually	19
Select a preset radio station	19

9 Adjust sound	20
Adjust volume	20
Select a preset sound effect	20
Enhance bass	20
Mute sound	20

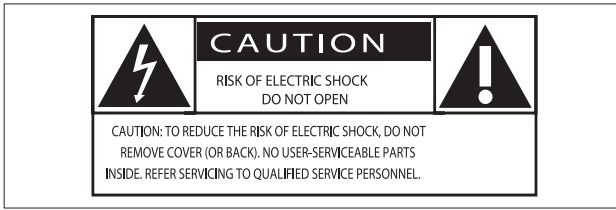
10 Other features	21
Set the sleep timer	21
Set the alarm timer	21
Listen to an external device	21
Listen through headphone	21

11 Product information	22
Specifications	22
USB playability information	23
Supported MP3 disc formats	23

12 Troubleshooting	24
---------------------------	----

1 Important

Safety



This 'bolt of lightning' indicates uninsulated material within your unit may cause an electrical shock. For the safety of everyone in your household, please do not remove product covering.

The 'exclamation point' calls attention to features for which you should read the enclosed literature closely to prevent operating and maintenance problems. **WARNING:** To reduce the risk of fire or electric shock, this apparatus should not be exposed to rain or moisture and objects filled with liquids, such as vases, should not be placed on this apparatus.

CAUTION: To prevent electric shock, match wide blade of plug to wide slot, fully insert.

Important Safety Instructions

- ① Read these instructions.
- ② Keep these instructions.
- ③ Heed all warnings.
- ④ Follow all instructions.
- ⑤ Do not use this apparatus near water.
- ⑥ Clean only with dry cloth.
- ⑦ Do not block any ventilation openings. Install in accordance with the manufacturer's instructions.
- ⑧ Do not install near any heat sources such as radiators, heat registers, stoves, or other apparatus (including amplifiers) that produce heat.
- ⑨ Protect the power cord from being walked on or pinched, particularly at plugs, convenience receptacles, and the point where they exit from the apparatus.
- ⑩ Only use attachments/accessories specified by the manufacturer.
- ⑪ Use only with the cart, stand, tripod, bracket, or table specified by the manufacturer or sold with the apparatus. When a cart is used, use caution when moving the cart/apparatus combination to avoid injury from tip-over.



- ⑫ Unplug this apparatus during lightning storms or when unused for long periods of time.
- ⑬ Refer all servicing to qualified service personnel. Servicing is required when the apparatus has been damaged in any way, such as power-supply cord or plug is damaged, liquid has been spilled or objects have fallen into the apparatus, the apparatus has been exposed to rain or moisture, does not operate normally, or has been dropped.
- ⑭ Battery usage CAUTION – To prevent battery leakage which may result in bodily injury, property damage, or damage to the unit:

- Install all batteries correctly, + and - as marked on the unit.
- Do not mix batteries (old and new or carbon and alkaline, etc.).
- Remove batteries when the unit is not used for a long time.

15 Apparatus shall not be exposed to dripping or splashing.

16 Do not place any sources of danger on the apparatus (e.g. liquid filled objects, lighted candles).

- Where the MAINS plug or an appliance coupler is used as the disconnect device, the disconnect device shall remain readily operable.

Hearing safety

Listen at a moderate volume.

- Using headphones at a high volume can impair your hearing. This product can produce sounds in decibel ranges that may cause hearing loss for a normal person, even for exposure less than a minute. The higher decibel ranges are offered for those that may have already experienced some hearing loss.
- Sound can be deceiving. Over time your hearing 'comfort level' adapts to higher volumes of sound. So after prolonged listening, what sounds 'normal' can actually be loud and harmful to your hearing. To guard against this, set your volume to a safe level before your hearing adapts and leave it there.
- Set your volume control at a low setting.
- Slowly increase the sound until you can hear it comfortably and clearly, without distortion.
- Prolonged exposure to sound, even at normally 'safe' levels, can also cause hearing loss.
- Be sure to use your equipment reasonably and take appropriate breaks.
- Listen at reasonable volumes for reasonable periods of time.

- Be careful not to adjust the volume as your hearing adapts.
- Do not turn up the volume so high that you can't hear what's around you.
- You should use caution or temporarily discontinue use in potentially hazardous situations. Do not use headphones while operating a motorized vehicle, cycling, skateboarding, etc.; it may create a traffic hazard and is illegal in many areas.

Notice



This product complies with the radio interference requirements of the European Community.

Any changes or modifications made to this device that are not expressly approved by Philips Consumer Lifestyle may void the user's authority to operate the equipment.

Recycling



Your product is designed and manufactured with high quality materials and components, which can be recycled and reused.

When you see the crossed-out wheel bin symbol attached to a product, it means the product is covered by the European Directive 2002/96/EC:



Never dispose of your product with other household waste. Please inform yourself about the local rules on the separate collection of electrical and electronic products. The correct disposal of your old product helps prevent potentially negative consequences on the environment and human health.

Your product contains batteries covered by the European Directive 2006/66/EC, which cannot be disposed of with normal household waste.

When you see the crossed-out wheel bin symbol with the chemical symbol 'Pb', it means that the batteries comply with the requirement set by the directive for lead:



Please inform yourself about the local rules on separate collection of batteries. The correct disposal of batteries helps prevent potentially negative consequences on the environment and human health.

Environmental information

All unnecessary packaging has been omitted. We have tried to make the packaging easy to separate into three materials: cardboard (box), polystyrene foam (buffer) and polyethylene (bags, protective foam sheet.)

Your system consists of materials which can be recycled and reused if disassembled by a specialized company. Please observe the local regulations regarding the disposal of packaging materials, exhausted batteries and old equipment.

This apparatus includes this label:



2 Your Docking Entertainment System

Congratulations on your purchase, and welcome to Philips! To fully benefit from the support that Philips offers, register your product at www.philips.com/welcome.

Introduction

With this apparatus, you can enjoy audio from audio discs, USB devices, iPod players, iPhone and other external devices, or listen to radio stations.

The apparatus offers you multiple sound effect settings that enrich sound with Digital Sound Control (DSC) and Dynamic Bass Boost (DBB).

The apparatus supports the following media formats:

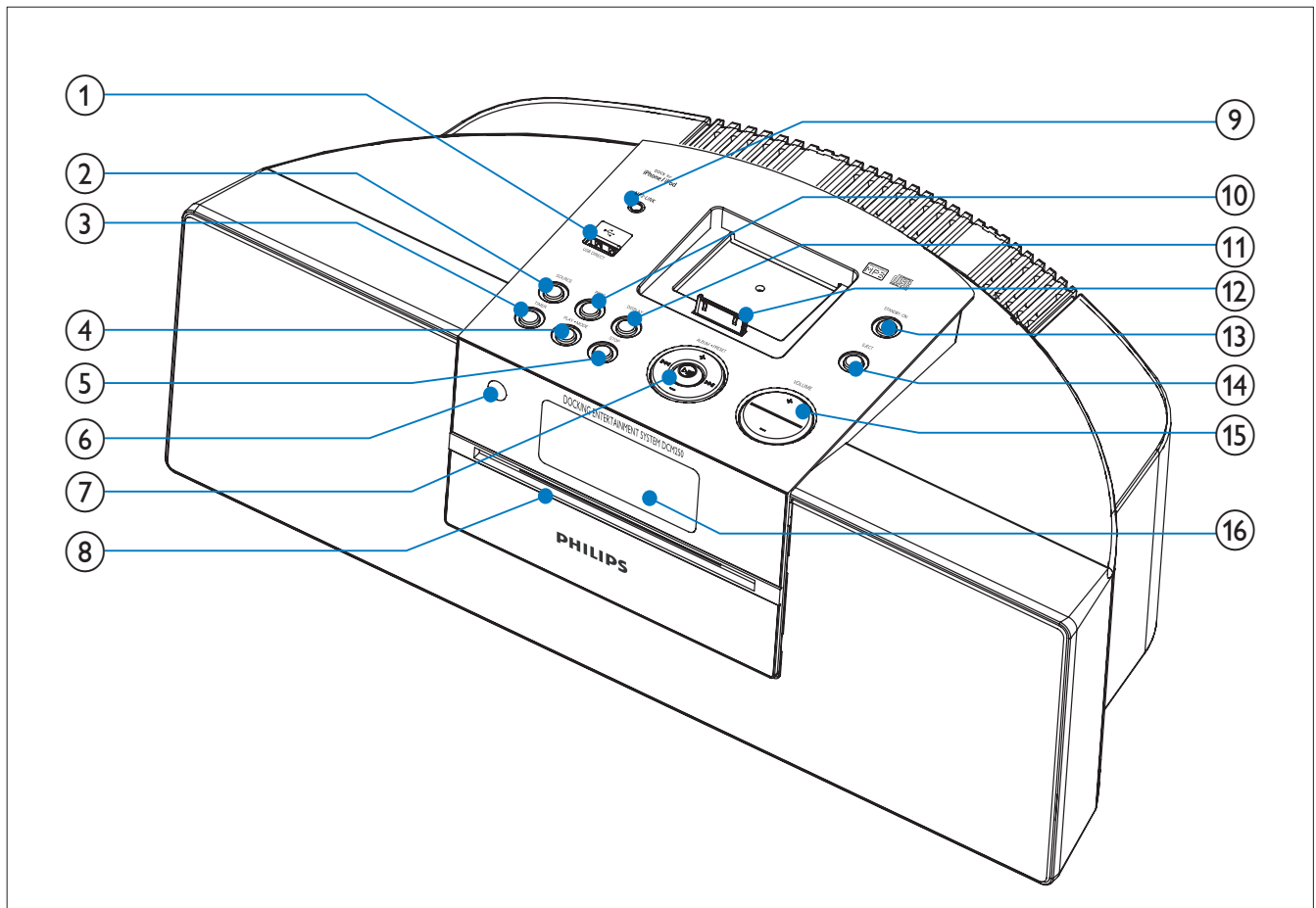


What's in the box

Check and identify the contents of your package:

- Main unit
- Remote control with battery
- FM antenna
- MW antenna
- Video cable
- Back plate
- AC adaptor
- Power cord
- MP3 link cable
- User manual
- Quick start guide

Overview of the main unit



①  Jack for a USB mass storage device.

② **SOURCE**
 • Select a source: DISC, USB, iPod, TUNER, or MP3 LINK.


③ **TIMER**
 • Set the alarm timer.


④ **PLAY-MODE**
 • Select repeat/shuffle mode.

⑤ **STOP**
 • Stop play or erase a program.

⑥ **IR sensor**

⑦ **ALBUM-PRESET +/-**
 Select a preset radio station.
 Skip to the previous/next album.
 Adjust time.

-  Skip to the previous/next track.
 Search within a track/ disc/USB.
 Tune to a radio station.

-  Start or pause play.

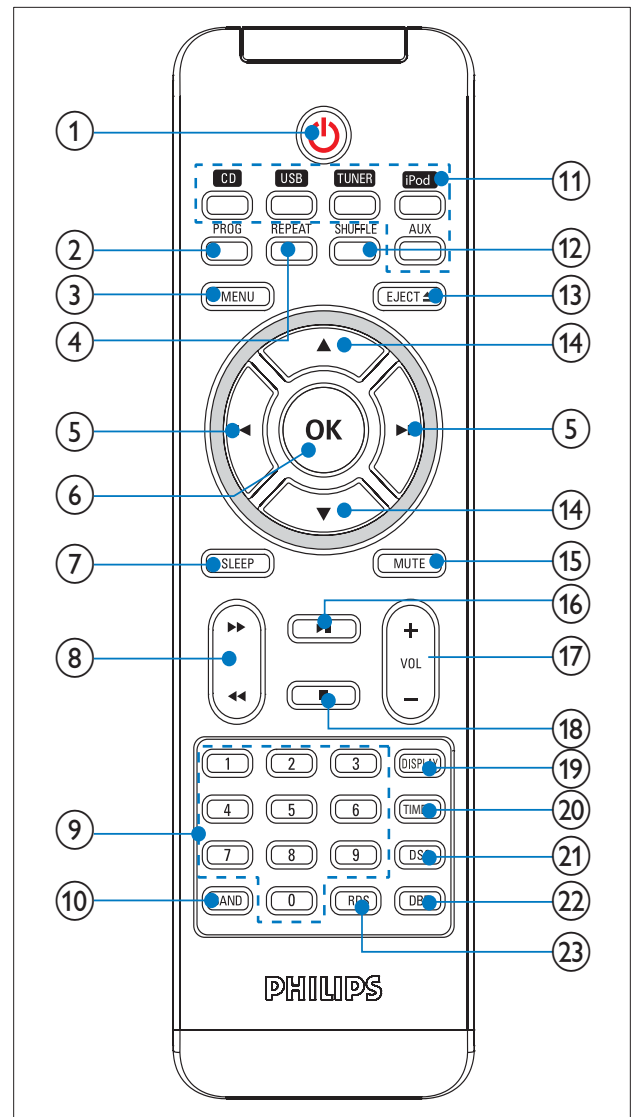
⑧ **Disc compartment**

⑨ **MP3-LINK**
 • Jack for an external audio device.

⑩ **PROG**
 • Program tracks.
 • Program radio stations.
 • Set the clock.

- ⑪ **DISPLAY**
 - During play, select display information.
- ⑫ **Dock for iPod/iPhone**
- ⑬ **STANDBY-ON**
 - Turn on the apparatus, switch to standby mode.
- ⑭ **EJECT**
 - Eject the disc.
- ⑮ **VOLUME +/-**
 - Adjust volume.
- ⑯ **Display panel**
 - Show current status.

Overview of the remote control



- ① **Power**
 - Turn on the apparatus, switch to standby mode.
- ② **PROG**
 - Program tracks.
 - Program radio stations.
 - Set the clock.
- ③ **MENU**
 - Access the iPod/iPhone menu.
- ④ **REPEAT**
 - Select a repeat play mode.

- ⑤ **⏮️/⏭️**
 - Skip to the previous/next track.
 - Navigate through the iPod/iPhone menu.
- ⑥ **OK**
 - Confirm a selection.
- ⑦ **SLEEP**
 - Set the sleep timer.
- ⑧ **⏮️/⏭️**
 - Search within a track/disc/USB/iPod/iPhone.
 - Tune to a radio station.
- ⑨ **Numeric keypad**
 - Select a track from a disc directly.
- ⑩ **BAND**
 - Select a waveband: FM or MW.
- ⑪ **Source selection keys (CD, USB, TUNER, iPod, AUX)**
 - Select a source: CD, USB, TUNER, iPod/iPhone or AUX(MP3 LINK).
- ⑫ **SHUFFLE**
 - Play tracks randomly.
- ⑬ **EJECT▲**
 - Eject the disc.
- ⑭ **▲▼**
 - Skip to the previous/next album.
 - Navigate through the iPod/iPhone menu.
- ⑮ **MUTE**
 - Mute volume.
- ⑯ **▶️||**
 - Start or pause play.
- ⑰ **VOL +/-**
 - Adjust volume.
- ⑱ **■**
 - Stop play or erase a program.
- ⑲ **DISPLAY**
 - During play, select display information.
- ⑳ **TIMER**
 - Set the alarm timer.
- ㉑ **DSC**
 - Select a preset sound setting.
- ㉒ **DBB**
 - Turns on or off dynamic bass enhancement.
- ㉓ **RDS**
 - Only available in European version

3 Get started



Caution

- Use of controls or adjustments or performance of procedures other than herein may result in hazardous radiation exposure or other unsafe operation.

Always follow the instructions in this chapter in sequence.

If you contact Philips, you will be asked for the model and serial number of this apparatus. The model number and serial number are on the bottom of the apparatus. Write the numbers here:

Model No. _____

Serial No. _____

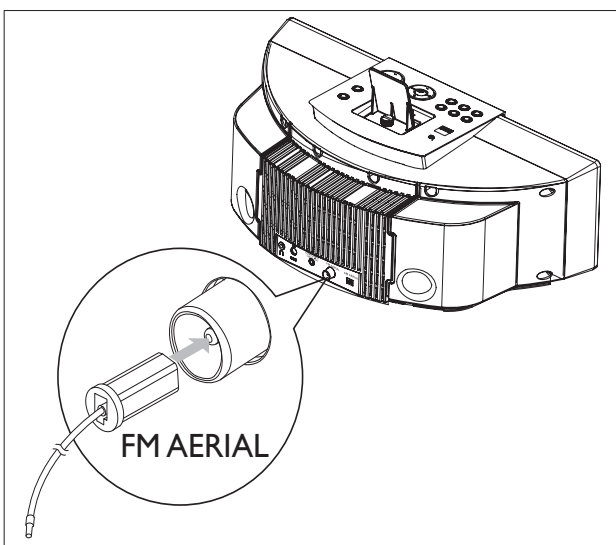
Connect FM antenna



Tip

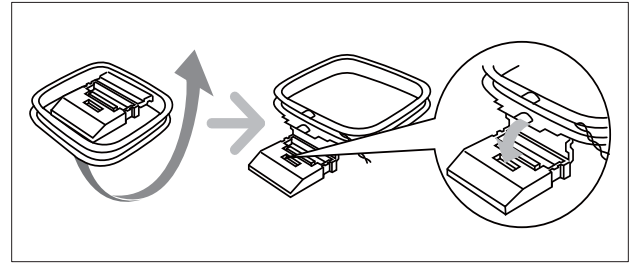
- For optimal reception, fully extend and adjust the position of the antenna.

- 1 Connect the supplied FM antenna to the **FM aerial** jack on the main unit.

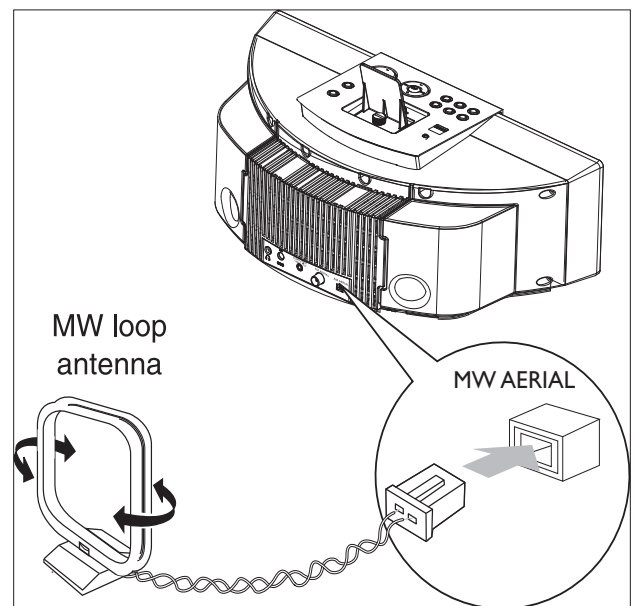


Connect MW antenna

- 1 Assemble the MW loop antenna.



- 2 Connect the MW loop antenna to the **MW aerial** jack on the rear of the main unit.



Note

- Position the antenna as far as possible from a TV, VCR or other radiation source.

Connect power



Caution

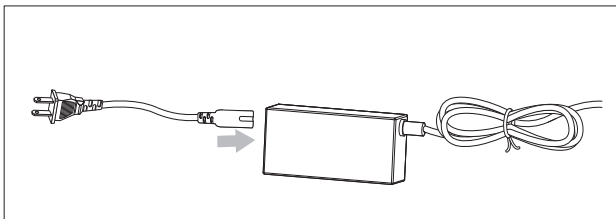
- Risk of product damage! Ensure that the power supply voltage corresponds to the voltage printed on the back or the underside of the unit.
- Risk of electric shock! When you unplug the AC power cord, always pull the plug from the socket. Never pull the cord.
- Before connecting the AC power cord, ensure you have completed all other connections.



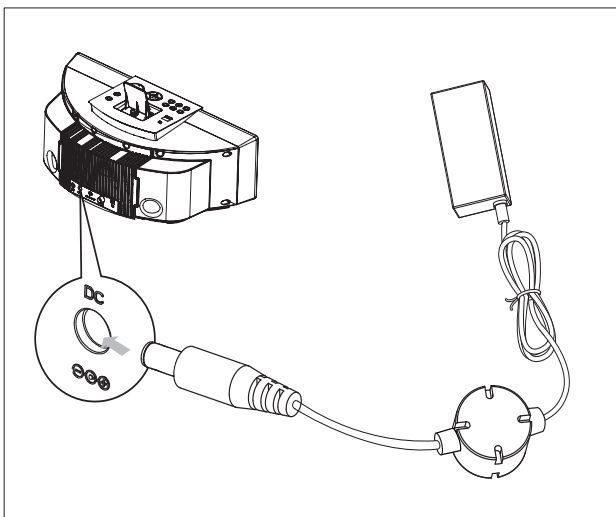
Note

- The type plate is located on the bottom of the main unit.

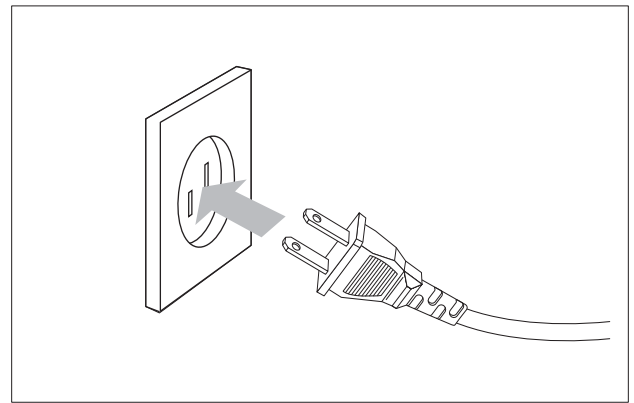
- 1 Connect the power cord to the AC adaptor.



- 2 Connect one end to the DC socket on the main unit.



- 3 Connect the other end to the wall socket.



Prepare the remote control

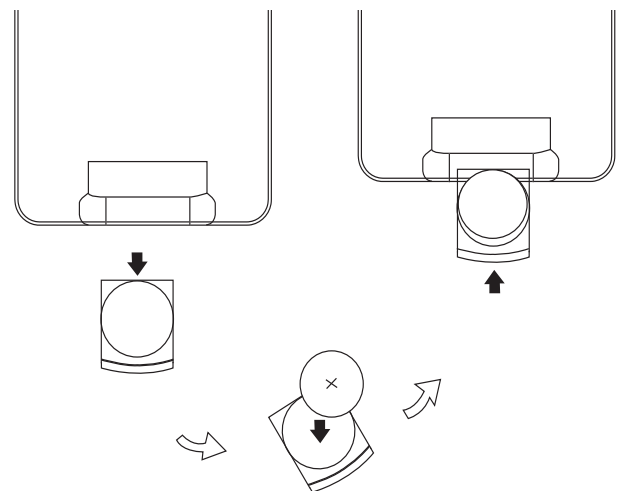


Caution

- Risk of explosion! Keep batteries away from heat, sunshine or fire. Never discard batteries in fire.

For first-time use:

- 1 Remove the protective tab to activate the remote control battery.
- 2 Open the battery compartment.
- 3 Insert 1 CR2025 battery with correct polarity (+/-) as indicated.
- 4 Close the battery compartment.



 Note

- Before pressing any function button on the remote control, first select the correct source with the remote control instead of the main unit.

Auto install radio stations

When you connect power and no radio stations are stored, the apparatus automatically begins to store radio stations.

- 1 Connect the apparatus to the power supply.
 - ↳ [AUTO INSTALL - PRESS PLAY] (auto install - press the PLAY button) is displayed.
- 2 Press **▶||** on the main unit to start installation.
 - ↳ The apparatus automatically stores radio stations with sufficient signal strength.
 - ↳ When all the available radio stations are stored, the first preset radio station is broadcast automatically.

Set clock

- 1 In standby mode, press **PROG** to activate the clock setting mode.
 - ↳ The 12 hour or 24 hour format is displayed.
- 2 Press **◀/▶** to select 12 hour or 24 hour format.
- 3 Press **PROG**.
 - ↳ The hour digits are displayed and begin to blink.
- 4 Press **◀/▶** to set the hour.
- 5 Press **PROG**.
 - ↳ The minute digits are displayed and begin to blink.

- 6 Press **◀/▶** to set the minute.
- 7 Press **PROG** to confirm.

Turn on

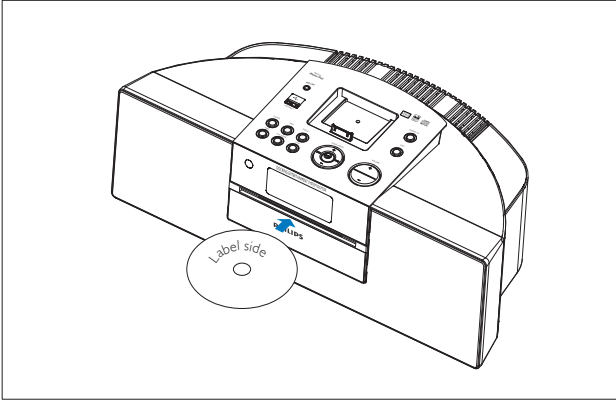
- 1 Press **⏻**.
 - ↳ The apparatus switches to the last selected source.

Switch to standby

- 1 Press **⏻** to switch the apparatus to standby mode.
 - ↳ The backlight on the display panel is reduced.
 - ↳ The clock (if set) appears on the display panel.

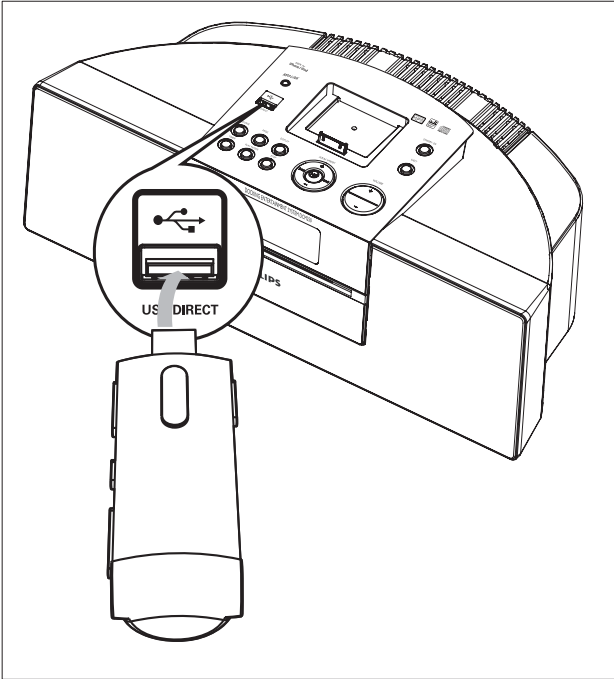
4 Play disc

- 1 Press **CD** to select the disc source.
- 2 Insert a disc into the disc compartment with the printed side facing up.











- 3 Press **▶||** to start play.

5 Play from USB



Note

- Ensure that the USB device contains playable audio content.

- 1 Connect the USB device into the  socket.
- 2 Press **USB** to select the USB source.
 The total number of tracks is displayed.
- 3 Press   to select a folder.
- 4 Press   to select a file.
- 5 Press   to start play.

6 Play options

Skip to a track

For CD:

- 1 Press **◀▶** to select another track.
 - To select a track directly, you can also press a key on the numerical keypad.
- 2 Press **▲▼** to select an album or folder.
- 3 Press **◀▶** to select a track or file.

Pause/resume play

- 1 During play, press **▶||** to pause/resume play.

Search within a track

- 1 During play, press and hold **◀◀▶▶**.
- 2 Release to resume normal play.

Display play information

- 1 During play, press **DISPLAY** repeatedly to select different play information.

Repeat play

- 1 During play, press **REPEAT** repeatedly to select:
 - **↻**: The current track is played repeatedly.
 - **↻ALL**: All tracks are played repeatedly.
 - For MP3 and USB: **↻** and **[ALB]**. The current album is played repeatedly.

- 2 To return to normal play, press **REPEAT** repeatedly until the repeat mode is no longer displayed.

Random play

- 1 Press **SHUFFLE**.
↳ **↻** is displayed. All tracks are played in a random sequence.
- 2 To return to normal play, press **SHUFFLE** again.



Tip

- The repeat and shuffle functions cannot be activated at the same time.

Program tracks

You can program a maximum of 40 tracks.

- 1 At CD/USB mode, at the stop position, press **PROG** to activate the program mode.
↳ **[PROG]** (program) blinks on the display.
- 2 For MP3 tracks, press **▲▼** to select an album.
- 3 Press **◀▶** to select a track number, then press **PROG** to confirm.
- 4 Repeat steps 2 to 3 to program more tracks.
- 5 Press **▶||** to play the programmed tracks.
↳ During play, **[PROG]** (program) is displayed.
 - To erase the program, in the stop position, press **■**.

7 Play iPod/iPhone

You can enjoy audio/video from iPod/iPhone through this apparatus.

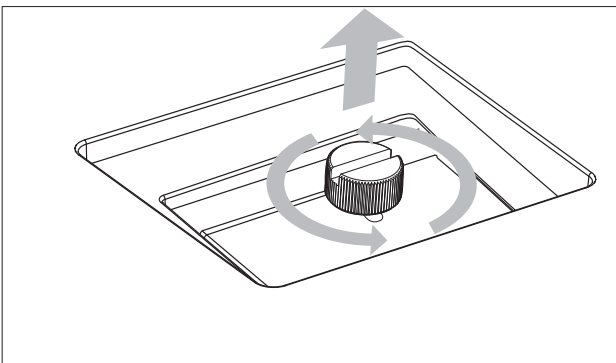
Compatible iPod/iPhone

Apple iPod and iPhone models with a 30-pin dock connector:

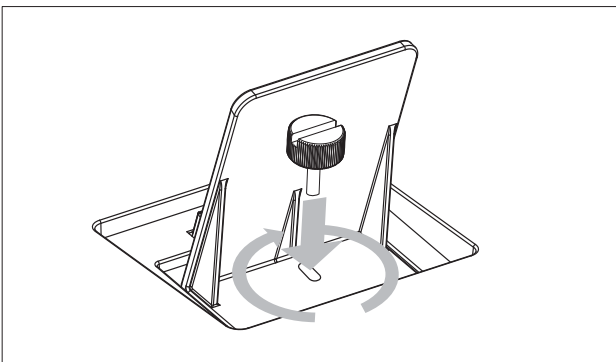
- iPod classic, iPod touch, iPod nano, iPod 5th generation (video), iPod with color display, iPod mini.
- iPhone, iPhone 3G.

Load the iPod/iPhone

- 1 Remove the screw on the dock.

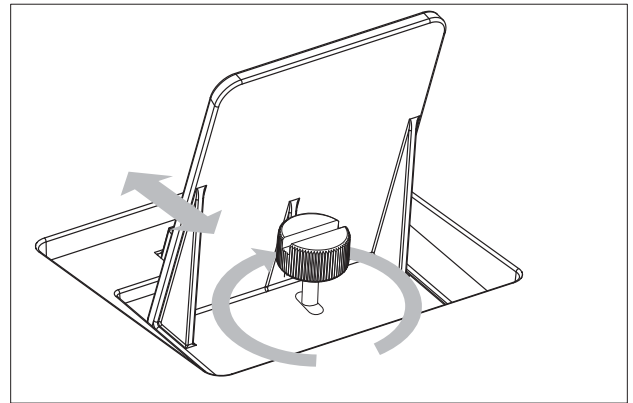


- 2 Place the back plate upright.
- 3 Place the screw in its original position.
 - Note: Do not tighten the screw.



- 4 Place the iPod/iPhone in the dock.

- 5 Adjust the position of the back plate to fit the iPod/iPhone securely.



- 6 When the back plate is in the correct position, tighten the screw.
 - ↳ When the apparatus is connected to power, the docked iPod/iPhone begins to charge.

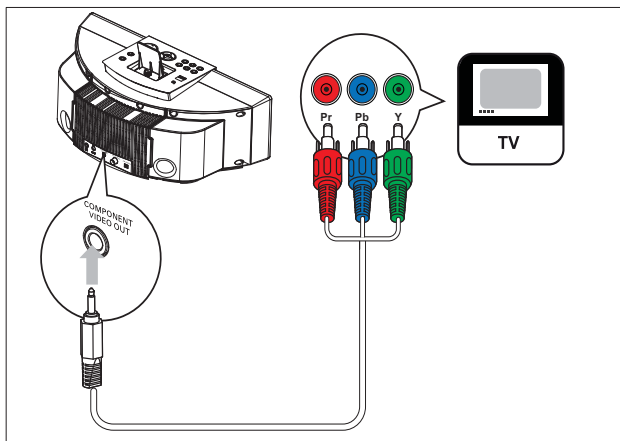
Listen to the iPod/iPhone

- 1 Ensure that the iPod/iPhone is loaded correctly.
- 2 Press **iPod** to select iPod/iPhone source.
 - ↳ The connected iPod/iPhone plays automatically.
 - To pause/resume play, press **▶||**.
 - To skip to a track, press **◀◀▶▶**.
 - To search during play: press and hold **◀◀▶▶**, then release to resume normal play.
 - To navigate the menu: press **MENU**, press **▲▼◀▶** to select, then press **OK** to confirm.

Play video from iPod/iPhone

You can connect the unit to a TV to enjoy video from the iPod/iPhone.

- 1 Connect the supplied video cable to:
 - the **COMPONENT VIDEO OUT** jack on the unit.
 - the video input jacks on the TV.



- 2 Ensure that the iPod/iPhone is loaded correctly.
- 3 Press **iPod** to select the iPod/iPhone source.
- 4 Press **MENU** to enter the iPod/iPhone menu.
- 5 Press **▲▼◀▶** to select a video file.
- 6 Press **OK** to confirm.

Charge the iPod/iPhone

When the apparatus is connected to power, the docked iPod/iPhone begins to charge.

Remove the iPod/iPhone

- 1 Pull the iPod/iPhone out of the dock.

8 Listen to the radio

Tune to a radio station



Tip

- For optimal FM reception, fully extend and adjust the position of the FM antenna.
- For optimal MW reception, adjust the position of the MW loop antenna.

- 1 Press **TUNER** to select the tuner source.
- 2 Press **BAND** to select FM or MW.
- 3 Press and hold **◀▶** for more than 2 seconds.
 - ↳ [SEARCH] (search) is displayed.
 - ↳ The radio tunes to a station with strong reception automatically.
- 4 Repeat step 2 to tune to more stations.
 - To tune to a weak station, press **◀▶** repeatedly until you find optimal reception.

Program radio stations automatically



Note

- You can program a maximum of 40 preset radio stations.

- 1 In tuner mode, press and hold **PROG** for 2 seconds to activate automatic program mode.
 - ↳ [AUTO] (auto) is displayed.
 - ↳ All available stations are programmed in the order of waveband reception strength.
 - ↳ The first programmed radio station is broadcast automatically.

Program radio stations manually



Note

- You can program a maximum of 40 preset radio stations.

- 1 Tune to a radio station.
- 2 Press **PROG** to activate program mode.
 - ↳ [PROG] (program) blinks on the display.
- 3 Press **◀▶** to allocate a number (1 to 40) to this radio station, then press **PROG** to confirm.
 - ↳ The preset number and the frequency of the preset station are displayed.
- 4 Repeat the above steps to program other stations.



Note

- To overwrite a programmed station, store another station in its place.

Select a preset radio station

- 1 In tuner mode, press **◀▶** to select a preset number.

9 Adjust sound

Adjust volume

- 1 During play, press **VOL +/-** to increase/decrease the volume.

Select a preset sound effect

- 1 During play, press **DSC** repeatedly to select:
 - [POP] (pop)
 - [JAZZ] (jazz)
 - [CLASSIC] (classic)
 - [ROCK] (rock)

Enhance bass

- 1 During play, press **DBB** to turn on or off dynamic bass enhancement.
↳ If DBB is activated, DBB is displayed.

Mute sound

- 1 During play, press **MUTE** to mute/unmute sound.

10 Other features

Set the sleep timer

This apparatus can switch to standby automatically after a set period of time.

- 1 When the apparatus is turned on, press **SLEEP** repeatedly to select a set period of time (in minutes).
 - ↳ When sleep timer is activated, the display shows [SLEEP](sleep) z^z .

To deactivate sleep timer

- 2 Press **SLEEP** repeatedly until "OFF" is displayed.
 - ↳ When sleep timer is deactivated, [SLEEP](sleep) z^z disappears on the display.

Set the alarm timer

This apparatus can be used as an alarm clock. The DISC, TUNER, USB or iPod is activated to play at a preset time.

- 1 Ensure that you have set the clock correctly.
- 2 Press and hold **TIMER**.
- 3 Press **CD**, **USB**, **TUNER** or **iPod** to select a source.
- 4 Press **TIMER** to confirm.
 - ↳ The hour digits are displayed and begin to blink.
- 5 Press **◀▶** to set the hour.
- 6 Press **TIMER** to confirm.
 - ↳ The minute digits are displayed and begin to blink.
- 7 Press **◀▶** to set the minute.
- 8 Press **TIMER** to confirm.
 - ↳ The timer is set and activated.

Activate and deactivate the alarm timer

- 1 Press **TIMER** repeatedly to activate or deactivate the timer.
 - ↳ If the timer is activated, the display shows z^z .
 - ↳ If the timer is deactivated, z^z disappears on the display.



Note


- If DISC/USB/iPod source is selected and the track cannot be played, tuner is activated automatically.

Listen to an external device

You can also listen to an external audio device through this unit.

- 1 Press **AUX** to select MP3 link source.
- 2 Connect the supplied MP3 link cable to:
 - the **MP3 LINK** jack on this unit
 - the headphone jack on the device
- 3 Start to play the device. (See the device user manual)

Listen through headphone

- 1 Plug a headphone into the  socket on the unit.

11 Product information



Note

- Product information is subject to change without prior notice.

Specifications

Amplifier

Rated Output Power	2X15W RMS
Frequency Response	100 Hz - 16 kHz, ±3dB
Signal to Noise Ratio	>70dB
Aux Input	0.5 V RMS 20kohm

Disc

Laser Type	Semiconductor
Disc Diameter	12cm/8cm
Support Disc	CD-DA, CD-R, CD-RW, MP3-CD
Audio DAC	24Bits / 44.1kHz
Total Harmonic Distortion	<1%
Frequency Response	60Hz -16kHz (44.1kHz)
S/N Ratio	>65dBA

Tuner

Tuning Range	FM:87.5 - 108 MHz MW: 531 - 1602 kHz
Tuning grid	FM: 50 KHz MW: 9KHz

Sensitivity	- Mono, 26dB S/N Ratio <22 dBu - Stereo, 46dB S/N Ratio <45 dBu
Search Selectivity	<28 dBu
Total Harmonic Distortion	<3%
Signal to Noise Ratio	>45 dB

Speakers

Speaker Impedance	4 ohm
Speaker Driver	3.5"woofer+0.8" tweeter
Sensitivity	>82 dB/m/W

General information

AC power (power adaptor)	Input: 100-240V~, 50/60Hz 1.5A MAX; Output: 15V $\overline{=}$ 3A; (Brand name: Philips; Model No.: OH-1048A1503000U-u)
Operation Power Consumption	16W
Standby Power Consumption	<4W
Eco Standby Power Consumption	<1W
USB Direct	Version 2.0/1.1
Dimensions (W x H x D)	390 x 140.5 x 200.5mm
Weight	- With Packing 4 kg - Main Unit 3.32 kg

USB playability information

Compatible USB devices:

- USB flash memory (USB 2.0 or USB1.1)
- USB flash players (USB 2.0 or USB1.1)
- memory cards (requires an additional card reader to work with this apparatus)

Supported formats:

- USB or memory file format FAT12, FAT16, FAT32 (sector size: 512 bytes)
- MP3 bit rate (data rate): 32-320 Kbps and variable bit rate
- Directory nesting up to a maximum of 8 levels
- Number of albums/ folders: maximum 99
- Number of tracks/titles: maximum 999
- ID3 tag v2.0 or later
- File name in Unicode UTF8 (maximum length: 128 bytes)

Unsupported formats:

- Empty albums: an empty album is an album that does not contain MP3 files, and is not be shown in the display.
- Unsupported file formats are skipped. For example, Word documents (.doc) or MP3 files with extension .dlf are ignored and not played.
- AAC, PCM audio files

Supported MP3 disc formats

- ISO9660, Joliet
- Maximum title number: 512 (depending on file name length)
- Maximum album number: 255
- Supported sampling frequencies: 32 kHz, 44.1kHz, 48 kHz
- Supported Bit-rates: 32~256 (kbps), variable bit rates

12 Troubleshooting



Warning

- Never remove the casing of this apparatus.

To keep the warranty valid, never try to repair the system yourself.

If you encounter problems when using this apparatus, check the following points before requesting service. If the problem remains unsolved, go to the Philips web site (www.philips.com/welcome). When you contact Philips, ensure that the apparatus is nearby and the model number and serial number are available.

No power

- Ensure that the AC power plug of the unit is connected properly.
- Ensure that there is power at the AC outlet.
- To save power, the system switches off automatically 15 minutes after track play reaches the end and no control is operated.

No sound or poor sound

- Adjust the volume.
- Disconnect the headphones.

No response from the apparatus

- Disconnect and reconnect the AC power plug, then turn on the system again.

Remote control does not work

- Before pressing any function button, first select the correct source with the remote control instead of the main unit.
- Reduce the distance between the remote control and the apparatus.
- Insert the battery with its polarities (+/- signs) aligned as indicated.
- Replace the battery.
- Aim the remote control directly at the sensor on the front of the apparatus.

No disc detected

- Insert a disc.
- Check if the disc is inserted upside down.
- Wait until the moisture condensation at the lens has cleared.
- Replace or clean the disc.
- Use a finalized CD or correct format disc.

Cannot display some files in USB device

- The number of folders or files in the USB device has exceeded a certain limit. This phenomenon is not a malfunction.
- The formats of these files are not supported.

USB device not supported

- The USB device is incompatible with the apparatus. Try another one.

Poor radio reception

- Increase the distance between the apparatus and your TV or VCR.
- Fully extend the FM antenna.

Timer does not work

- Set the clock correctly.
- Switch on the timer.

Clock/timer setting erased

- Power has been interrupted or the power cord has been disconnected.
- Reset the clock/timer.

部件名称 Name of the Parts	有毒有害物质或元素 Hazardous/toxic Substance					
	铅 (Pb, Lead)	汞 (Hg, Mercury)	镉 (Cd, cadmium)	六价铬(Chromium 6+)	多溴联苯 (PBB)	多溴二苯醚 (PBDE)
Housing 外壳	○	○	○	○	○	○
DVD/CD loader DVD/CD 光盒	X	○	○	○	○	○
LCD Panel 液晶面板	X	X	○	○	○	○
Loudspeakers 喇叭单元	○	○	○	○	○	○
PWBs 电路板组件	X	○	○	○	○	○
Accessories (Remote control & cables) 附件 (遥控器, 电 源线, 连接线)	X	○	○	○	○	○
Batteries in Remote Control (ZnC) 遥控器电池	X	○	○	○	○	○

○: 表示该有毒有害物质在该部件所有均质材料中的含量均在SJ/T11363 - 2006 标准规定的限量要求以下。
○: Indicates that this toxic or hazardous substance contained in all of the homogeneous materials for this part is below the limit requirement in SJ/T11363 – 2006.

×: 表示该有毒有害物质至少在该部件的某一均质材料中的含量超出SJ/T11363 – 2006 标准规定的限量要求。

X: Indicates that this toxic or hazardous substance contained in at least one of the homogeneous materials used for this part is above the limit requirement in SJ/T11363 - 2006.



环保使用期限 Environmental Protection Use Period

This logo refers to the period (10 years)

电子信息产品中含有的有毒有害物质或元素在正常使用的条件下不会发生外泄或突变，电子信息产品用户使用该电子信息产品不会对环境造成严重污染或对其人身、财产造成严重损害的期限。

This logo refers to the period (10 years) during which the toxic or hazardous substances or elements contained in electronic information products will not leak or mutate so that the use of these [substances or elements] will not result in any severe environmental pollution, any bodily injury or damage to any assets.