

Register your product and get support at

www.philips.com/welcome

AD200



User manual

PHILIPS

Contents

1	Important	2
<hr/>		
2	Your docking speaker	3
	Introduction	3
	What's in the box	3
	Overview of the main unit	3
<hr/>		
3	Prepare	4
	Connect power	4
	Turn the unit on	4
<hr/>		
4	Play	5
	Listen to the iPod/iPhone	5
	Adjust sound	5
	Compatibility	5
	Charge the iPod/iPhone	5
	Play from an external device	6
<hr/>		
5	Specifications	7
	Amplifier	7
	General information	7
<hr/>		
6	Troubleshooting	8

1 Important

- Read these instructions.
- Heed all warnings.
- Follow all instructions.
- Do not use this apparatus near water.
- Do not install near any heat sources such as radiators, heat registers, stoves, or other apparatus (including amplifiers) that produce heat.
- Protect the power cord from being walked on or pinched, particularly at plugs, convenience receptacles, and the point where they exit from the apparatus.
- Only use attachments/accessories specified by the manufacturer.
- Unplug this apparatus during lightning storms or when unused for long periods of time.
- Refer all servicing to qualified service personnel. Servicing is required when the apparatus has been damaged in any way, such as power-supply cord or plug is damaged, liquid has been spilled or objects have fallen into the apparatus, the apparatus has been exposed to rain or moisture, does not operate normally, or has been dropped.
- Apparatus shall not be exposed to dripping or splashing.
- Do not place any sources of danger on the apparatus (e.g. liquid filled objects, lighted candles).
- Where the plug of the Direct Plugin Adapter is used as the disconnect device, the disconnect device shall remain readily operable.



Warning

- Never remove the casing of this apparatus.
- Never lubricate any part of this apparatus.
- Never place this apparatus on other electrical equipment.

2 Your docking speaker

Congratulations on your purchase, and welcome to Philips! To fully benefit from the support that Philips offers, register your product at www.philips.com/welcome.

If you contact Philips, you will be asked for the model and serial number of this apparatus. The model number and serial number are on the bottom of the apparatus. Write the numbers here:

Model No. _____

Serial No. _____

Introduction

With this docking speaker, you can:

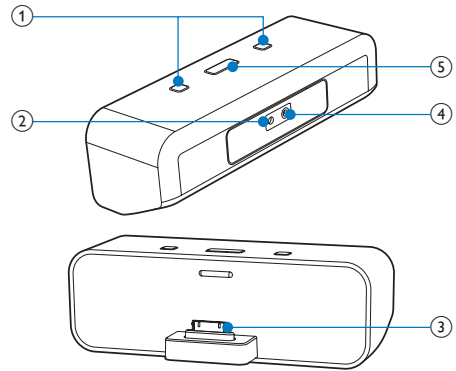
- Enjoy music on your iPod/iPhone;
- Charge your iPod/iPhone;
- Enjoy music on external audio player through MP3 link cable.

What's in the box

Check and identify the contents of your package:

- Main unit
- AC power adaptor
- Quick start guide

Overview of the main unit



- ① +/-
 - Adjust volume.
- ② Power socket
 - Connect the power adaptor.
- ③ Dock for iPod/iPhone
- ④ MP3-LINK
 - Connect an external audio player.
- ⑤ ⏻
 - Turn the unit on/off.

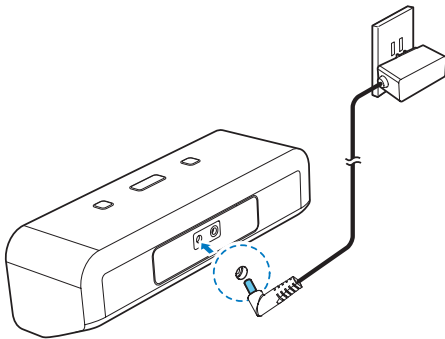
3 Prepare

Always follow the instructions in this chapter in sequence.

Connect power

! Caution

- Risk of product damage! Make sure that the power supply voltage matches the voltage printed on the bottom of the unit.
- Risk of electric shock! When you unplug the AC adaptor, always pull the plug from the socket. Never pull the cord.
- Before you connect the AC adaptor, make sure that you have completed all the other connections.



Connect the AC power adaptor; one end to the power socket on the back of the unit, and the other the wall power supply.

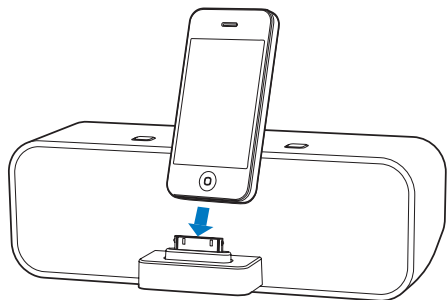
Turn the unit on

Press ϕ repeatedly on the top to turn the unit on/off.

4 Play

Listen to the iPod/iPhone

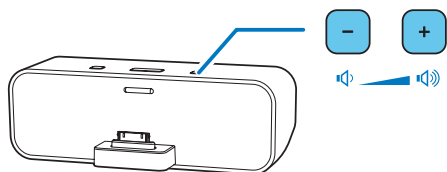
1 Load your iPod/iPhone.



2 Play your iPod/iPhone.
↳ Your music on the phone comes out through the unit.

Adjust sound

To adjust the sound, press the button +/-.



Compatibility

Made for Apple iPod models with 30-pin dock connector as follows:

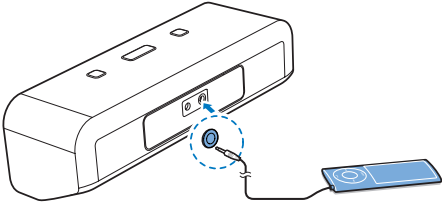
- iPod touch (4th generation)
- iPod touch (3rd generation)
- iPod touch (2nd generation)
- iPod touch (1st generation)
- iPod nano (6st generation)
- iPod nano (5th generation)
- iPod nano (4th generation)
- iPod nano (3rd generation)
- iPod nano (2nd generation)
- iPod nano (1st generation)
- iPod mini
- iPod classic
- iPod with video
- iPod with color display
- iPhone 4
- iPhone 3GS
- iPhone 3G
- iPhone

Charge the iPod/iPhone

When the system is connected to power, the docked iPod/iPhone begins to charge.

Play from an external device

You can also listen to an external audio player through the device.



Connect the MP3 link cable, one end to the **MP3-LINK** socket at the back, and the other to the headphone socket.

5 Specifications

Amplifier

Rated Output Power	2 × 2 W RMS
--------------------	-------------

General information

AC Power	S009GB0590150 (Philips) Input: 100-240 V ~, 50/60Hz, 0.3A; Output: DC 5.9V = 1500 mA
----------	--

Operation Power Consumption	8 W
--------------------------------	-----

Dimensions - Main Unit (W × H × D)	184 × 80.85 × 62 mm
--	---------------------

Weight - Main Unit	0.3 kg
-----------------------	--------

6 Troubleshooting



Warning

- Never remove the casing of this apparatus.

To keep the warranty valid, never try to repair the system yourself.

If you encounter problems when using this apparatus, check the following points before requesting service. If the problem remains unsolved, go to the Philips web site (www.philips.com/welcome). When you contact Philips, ensure that the apparatus is nearby and the model number and serial number are available.

No power

- Make sure that the AC power adaptor of the unit is connected properly.
- Make sure that there is power at the AC outlet.

No sound

- Adjust the volume.

Docked iPod/iPhone can't be charged

- Make sure that the unit is compatible the iPod/iPhone.
- Make sure that the unit is successfully connected to the iPod/iPhone.
- Remove the protective case of your iPod/iPhone.



Specifications are subject to change without notice
© 2011 Koninklijke Philips Electronics N.V.
All rights reserved.

AD200_05_UM_V1.0

