

Quick Start Guide



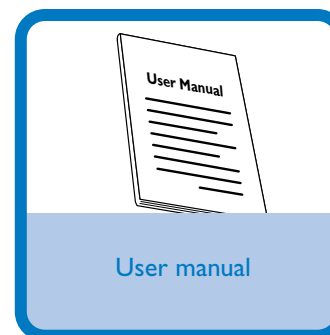
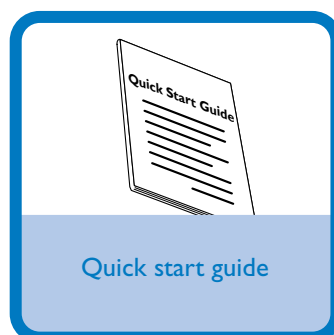
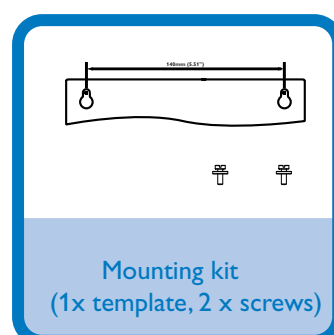
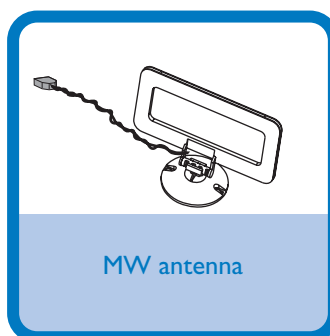
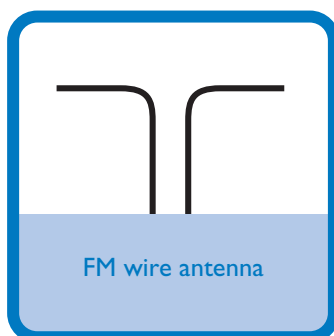
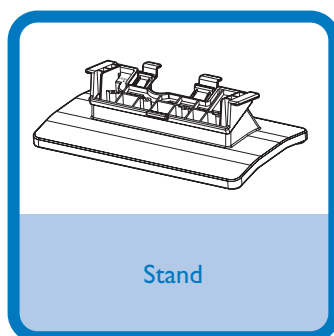
Step A **Install**

Step B **Prepare**

Step C **Enjoy**

What's in the Box?

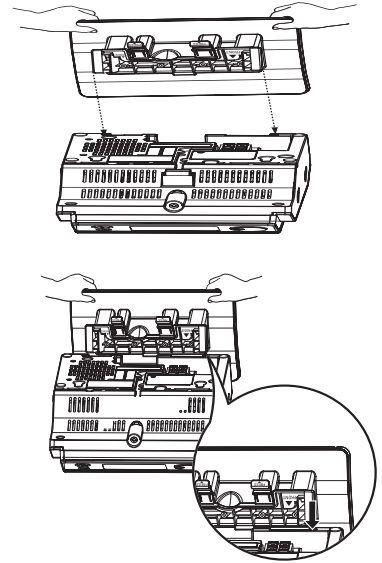
You should find these items upon opening the box.



Step A **Install**

Mounting stand onto the set

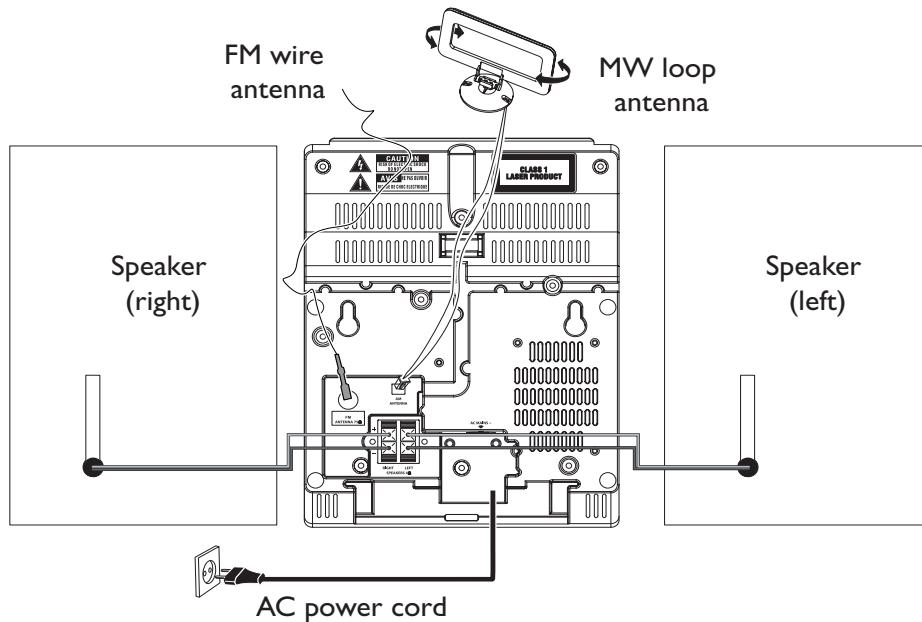
- 1 Put MCM275 on a flat and firm surface, rear side facing up
- 2 As shown, align the stand to the slots at set's bottom, ▼ **FRONT** facing down
- 3 Push the stand down into the slots



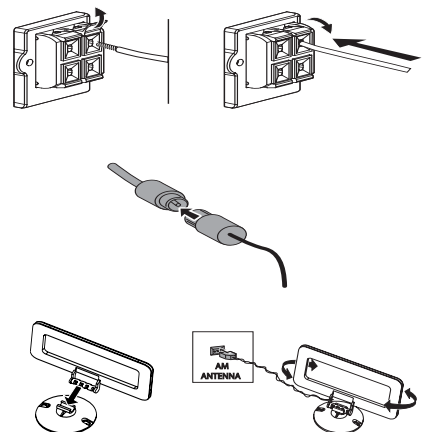
Helpful hints:

- For wall mounting, please refer to the **User Manual, Appendix: How to mount your MCM275 onto Walls**. You may need assistance from the qualified service personnel.

Rear connections




- 1 Connect the cable of the left speaker to **LEFT** (red and black) and the cable of the right speaker to **RIGHT** (red and black)
- 2 Extend the wire antenna and fit it to **FM ANTENNA**
- 3
 - a. Assemble the loop antenna
 - b. Fit the plug of the loop antenna to **AM ANTENNA**
- 4 Connect the AC power cord to the wall socket



Step B Prepare

Setting the clock

1 Press and hold **STANDBY-ON/ ECO POWER**  to switch the set to Standby mode
→ The display shows the set time
→ --:--:-- flashes by default if you have not set the clock

2 In the standby mode, press and hold **DISPLAY/CLOCK** on the remote control
→ 24 HR or 12 HR appears for the initial clock setting. **To select 12-hour clock or 24-hour clock,**
a. Press **VOLUME +/-** once or more
b. Press **DISPLAY/CLOCK** to confirm
→ The hours digits start flashing

3 Hold down or press **VOLUME +/-** repeatedly to set the hours

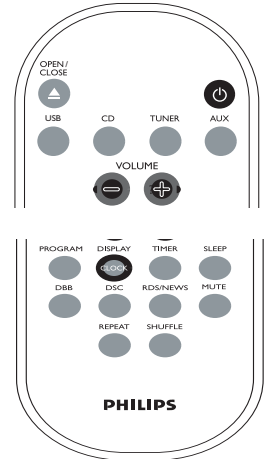
4 Press **DISPLAY/CLOCK** to confirm

5 Hold down or press **VOLUME +/-** repeatedly to set the minutes

6 Press **DISPLAY/CLOCK** to confirm

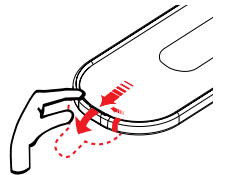
Helpful hints:

- To set the clock automatically by using a time signal which is broadcast together with the RDS signal, see the **User Manual, RDS: Automatic clock setting via RDS.**



IMPORTANT!

- Remove the protective plastic tab before using the remote control



Notes for remote control:


- First, select the source you wish to control by pressing one of the source select keys on the remote control (DISC or TUNER, for example).
- Then select the desired function (▶||, ◀◀, ▶▶ for example).


Step C Enjoy

Playing discs


With this system, you can play all pre-recorded audio CDs (CDDA), all finalized audio CD-Rs and CD-RWs, MP3/WMA-CDs (CD-Rs/CD-RWs with MP3/WMA files)

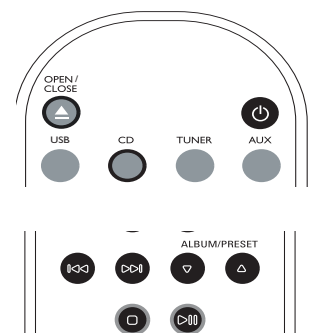
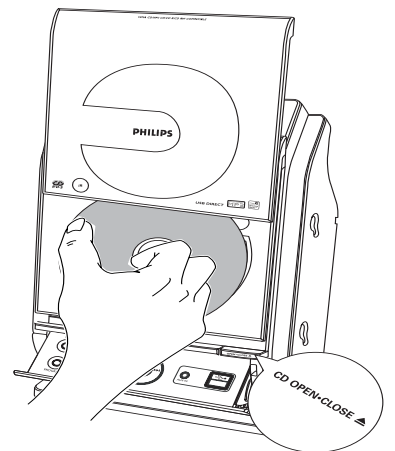
1 Press **SOURCE** once or more to select **CD** (or **CD** on the remote control)

2 Press **CD OPEN•CLOSE**  to open the CD compartment

3 Insert a disc with the printed side facing up. Press **CD OPEN•CLOSE**  again to close the compartment

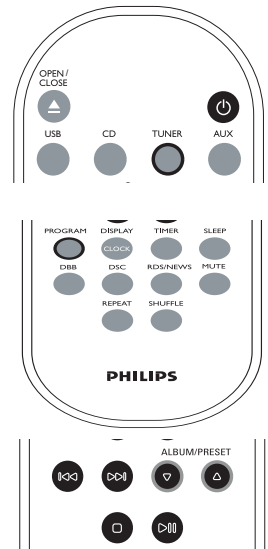
4 Press **▶ ||** to start playback

5 To stop playback, press **STOP** 





Tuning to radio stations

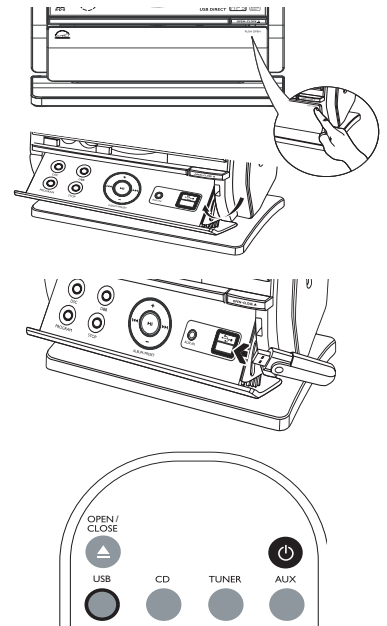
- 1 Press **SOURCE** once or more to select **TUNER** (or **TUNER** on the remote control)
- 2 Press and hold **PROGRAM** until *AUTO* appears
→ **P** flashes. Available stations are programmed: RDS stations followed by FM stations, MW stations
- 3 Press the **ALBUM/ PRESET** buttons once or more until the desired preset station is displayed



Playing a USB mass storage device

With the Hi-Fi system, you can use USB flash memory (USB 2.0 or USB1.1), USB flash players (USB 2.0 or USB1.1), memory cards (requires an additional card reader to work with this Hi-Fi system).

- 1 Check you have unfolded the control panel
- 2 Insert the USB device's USB plug into the socket  on the set's foldable control panel
- 3 Press **SOURCE** once or more to select **USB** (or **USB** on the remote control)
- 4 Play the USB's audio files as you do with the albums/tracks on a CD
- 5 Press **STANDBY-ON/ ECO POWER**  to switch off the set



Detailed playback features and additional functions are described in the accompanied owner's manual.

